

SAFETY PRECAUTIONS ENCLOSED

DO NOT DESTROY

This manual contains important safety information and should be made available to all personnel who operate and/or maintain this product. Carefully read this manual before attempting to operate or perform maintenance.

PRECAUCIONES DE SEGUIRIDAD

NO DESTRUIR

Este manual contiene información importante y debe estar al alcance de todo el personal que opera y/o mantiene este producto. Lea cuidadosamente este manual antes de intentar operar o efectuar cualquier mantenimiento a este producto.

PARTS LIST

Models 15T & H15T

Two-Stage

Industrial

Air Compressors

INGERSOLL-RAND®

AIR COMPRESSORS

Refer all communications to the nearest Ingersoll-Rand Full Service Distributor.
Para cualquier consulta, contacte a su Distributor Ingersoll-Rand más cercano.

Form SCD-184C
September 1989

⚠ WARNING

STATEMENT CONCERNING THE USE OF THIS EQUIPMENT FOR BREATHING AIR AND/OR AQUA LUNG SERVICE.

If the model number on a compressor contains the letters "BAP", the air compressor is suitable for breathing air services. Compressors that DO NOT bear this designation are NOT capable of producing air of breathing quality. For use in breathing air applications, an air compressor must be fitted with additional specialized equipment to properly filter and/or purify the air to meet all applicable federal, state and local laws, rules, regulations and codes, such as, but not limited to, OSHA 29 CFR 1910.34, Compressed Gas Association Commodity Specifications G-7.1-1966, Grade D Breathing Air, and/or Canadian Standards Association. Should the Purchaser and/or User fail to add such specialized equipment, and proceed to use the air compressor for breathing air service, the Purchaser/User assumes all liability resulting therefrom without any responsibility or liability being assumed by Ingersoll-Rand Company.

The purchaser is urged to include the above provisions in any agreement for any resale of this compressor.

⚠ ADVERTENCIA

DOCUMENTO CONCERNIENTE AL USO DE ESTE EQUIPO PARA EL SERVICIO DE AIRE RESPIRABLE Y/O SERVICIO DE BUCEO.

Si el número del modelo en un compresor de aire contiene las letras BAP, el compresor está diseñado para el uso en servicios de aire respirable. En la ausencia de tal designación, el compresor no puede ser considerado adecuado para producir aire respirable. Para que un compresor sea adecuado para ser usado en aplicaciones de aire respirable, debe estar acondicionado con equipo especializado para filtrar y/o purificar apropiadamente el aire y así cumplir con las leyes, reglas y regulaciones federales, locales y estatales, no limitadas a OSHA 29 CFR 1910.34, las Especificaciones de la Asociación de Gas Comprimido G-7.1-1966 Aire respirable Grado D, y/o Asociación de Estándares Canadienses. Si el comprador y/o el usuario no añaden este equipo especializado y procede a usar el compresor para servicio de aire respirable, el Comprador/Usuario asume toda la responsabilidad resultante de esto sin que ninguna responsabilidad u obligación sea asumida por la compañía Ingersoll-Rand.

Se sugiere al comprador que incluya la anterior provisión en cualquier acuerdo por cualquier re-venta de este compresor.

Hazardous vapors. Can cause severe nausea, fainting or death.

Compressed air or gas from this compressor may contain poisonous vapors or gases.

Certain sprayed material such as paints, insecticides, weed killer, sand, etc., may be harmful if inhaled or used in a closed area.

Never directly inhale the compressed air or gas produced by this compressor.

Always read container labels when spraying paints or poisons.

Always use the compressor in a well-ventilated area.

Use a respirator or mask whenever there is a chance that you might inhale any sprayed material. If a mask is used, read all instructions provided with the mask to ensure it will protect you from the materials you are spraying.



Vapores peligrosos. Pueden causar náusea, desmayo o muerte.

El aire comprimido de este compresor puede contener monóxido de carbono venenoso.

Ciertos materiales propulsados por aire tales como pinturas, insecticidas, arena etc. pueden ser peligrosos si se inhalan o utilizan en un área cerrada.

Nunca inhale directamente el aire comprimido producido por este compresor.

Lea siempre las etiquetas de los contenedores cuando esté rociando pintura o venenos.

Siempre utilice el compresor en un área bien ventilada.

Utilice el respirador o máscara cuando haya riesgo de inhalar cualquier material que esté rociando. Si utiliza máscara, lea muy bien las instrucciones para que usted pueda saber de qué lo va a proteger mientras rocía.

Hazardous voltage. Can cause severe injury or death.

Always disconnect the power supply cord before performing any maintenance or repair work.

Always connect the power supply cord to a grounded electrical receptacle with the specified voltage and fuse protection.

Never use the compressor in rain, in a wet area, or near an explosive environment.



Voltaje peligroso. Puede causar heridas severas o muerte.

Siempre desconecte el suministro eléctrico antes de hacer cualquier mantenimiento o reparación.

Siempre conecte el suministro eléctrico a un circuito adecuado y con el voltaje especificado.

Nunca utilice el compresor en la lluvia, o en un área cerca de una atmósfera explosiva.

Flammable vapors. Can cause a fire or explosion, and result in severe injury or death.

Sparks from the motor's electrical contacts can ignite flammable vapors from gasoline, natural gas or solvents.

Do not operate the compressor in any areas where explosive or flammable vapors or liquids may exist.

Never smoke or use open flame in the vicinity of the compressor or any gas bottle or source.



Vapores inflamables. Pueden causar fuego o una explosión, y el resultado puede ser herida severa o muerte.

Chispas del motor eléctrico pueden encender vapores inflamables de gasolina, gas natural o solventes.

No operan el compresor en ningunas áreas donde vapores o los líquidos explosivos o combustibles pueden existir.

Nunca fumar o el uso abre llama en la vecindad del compresor, botella de gas o fuente de gas.

Compressed air/gas has great force.

Over-pressurizing the bottle, tank or receiver, or using a receiver which does not meet the design limits for this compressor, can cause them to rupture or explode, and result in severe injury or death.

Changes to the bottle, tank or receiver structure will cause it to weaken and can cause it to rupture or explode, and result in severe injury or death.

Internal rusting in the bottle, tank or receiver will cause it to weaken and can cause it to rupture or explode, and result in severe injury or death.

Pressure beyond design limits can cause the bottle, tank or receiver to rupture or explode, and result in severe injury or death.

Improper use of air tools or attachments can cause an explosion, and result in severe injury or death.

The bottle, tank or receiver is equipped with a relief valve to protect against over-pressurization. DO NOT REMOVE, ADJUST OR MAKE SUBSTITUTIONS FOR THE RELIEF VALVE. Periodically pull the ring on the relief valve to ensure it operates freely. If the valve is stuck or does not operate freely, it must be replaced.

Never drill into, weld to, or alter the bottle, tank or receiver in any manner.

Drain water/condensate from the air receiver daily or before each use.

Pressure switch and unloader valve operation is related to motor/engine horsepower, air receiver rating, and relief valve setting. DO NOT ATTEMPT TO ADJUST, REMOVE OR BYPASS THE PRESSURE SWITCH, OR CHANGE OR MODIFY ANY PRESSURE CONTROL RELATED DEVICE.

Do not use any air tools or air attachments without first determining the maximum air pressure recommended for that particular piece of equipment.

Compressed natural gas compressors are equipped with explosion-proof electrical systems. Ensure any additional electrical equipment is also explosion-proof.

Gas leaks can occur in compressed natural gas compressors or associated piping. Even small leaks pose a potential hazard and should be corrected before the compressor is operated. If a maintenance function involves breaking a gas-tight joint, always recheck for gas leaks after reassembling by using a commercial gas leak detector.



El aire comprimido tiene gran fuerza.

El tanque de aire sobre-presurizado puede causar que el tanque de aire explote o se rompa, y puede resultar en heridas severas o muerte.

Cambios en la estructura del tanque de aire pueden causar que el tanque de aire se debilite causando la ruptura o explosión de este, resultando en herida severa o muerte.

El debilitamiento de la estructura del tanque de aire debido a oxidación interna puede causar rupturas o explosión del tanque y puede resultar en heridas severas o muerte.

La presión de aire fuera de sus límites puede causar que el tanque explote o se rompa, y esto causaría heridas severas o muerte.

El uso impropio de las herramientas neumáticas o sus accesorios pueden causar explosión, y resultar en heridas severas.

El tanque de aire está protegido de sobrepresurización por una válvula de seguridad. NO QUITE, HAGA AJUSTES, O SUSTITUCIONES EN ESTA VALVULA. Ocasionalmente hale el anillo en la válvula de seguridad para asegurarse de que la válvula funcione libremente. Si la válvula está atascada o no funciona, debe ser reemplazada.

Nunca perfore, suelde o cambie el tanque de aire en ninguna forma.

Drene el agua/condensado del tanque de aire diariamente o antes de cada uso.

NO TRATE DE AJUSTAR, REMOVER, O DERIVAR EL BOTON DEL INTERRUPTOR DE PRESION, O CAMBIE Y MODIFIQUE CUALQUIER ESTRUCTURA RELACIONADA CON EL CONTROL DE PRESION.

No utilice ninguna herramienta neumática o accesorio sin determinar la presión máxima de aire comprimido que se recomienda para esa herramienta en particular.

Los compresores comprimidos de gas natural se equipan con sistemas eléctricos que no estallarán. Asegure cualquier equipo eléctrico adicional es también incapaz de estallar.

Los escapes de gas pueden ocurrir en los compresores naturales de gas o asociados tubos. Cualquier escape es un peligro potencial y debería corregirse antes de el compresor se opera. Si una función de mantenimiento involucra quitando un sujetador, siempre detecta cualquier gas escapa después de armar nuevamente por usar un detector de escape de gas.

Rotating compressor. Can propel dirt, sand, metal shavings, etc., and result in severe injury.

Never point an air nozzle or air sprayer toward any part of the body, or toward another person.

Always wear safety glasses or goggles when servicing.



Aire comprimido. Puede expulsar polvo, metal o arena etc. y puede resultar en heridas.

Nunca apunte la boquilla hacia alguna parte del cuerpo o hacia otra persona.

Use siempre gafas protectoras.

Moving parts. Can cause severe injury.

Always disconnect the power supply before attempting to perform any maintenance or repair work.

Always ensure the pressure is released from the compressor, bottles, tanks, receiver and air attachments before performing any maintenance or repair work.

Always disconnect the power supply on electric motor models if the compressor is to be left unattended.

Never operate compressor with the fan shroud removed, or if the shroud is damaged or broken.



Las partes en movimiento pueden causar heridas severas.

Desconecte siempre el suministro eléctrico antes de cualquier mantenimiento ó reparación.

Desconecte siempre el suministro eléctrico si el compresor no va ser usado.

Asegúrese que el aire a presión es liberado del compresor, del tanque de aire, y demás accesorios de aire antes de hacer cualquier mantenimiento o reparación.

Nunca opere el compresor sin el guarda poleas. Nunca opere el compresor con una polea dañada o rota.

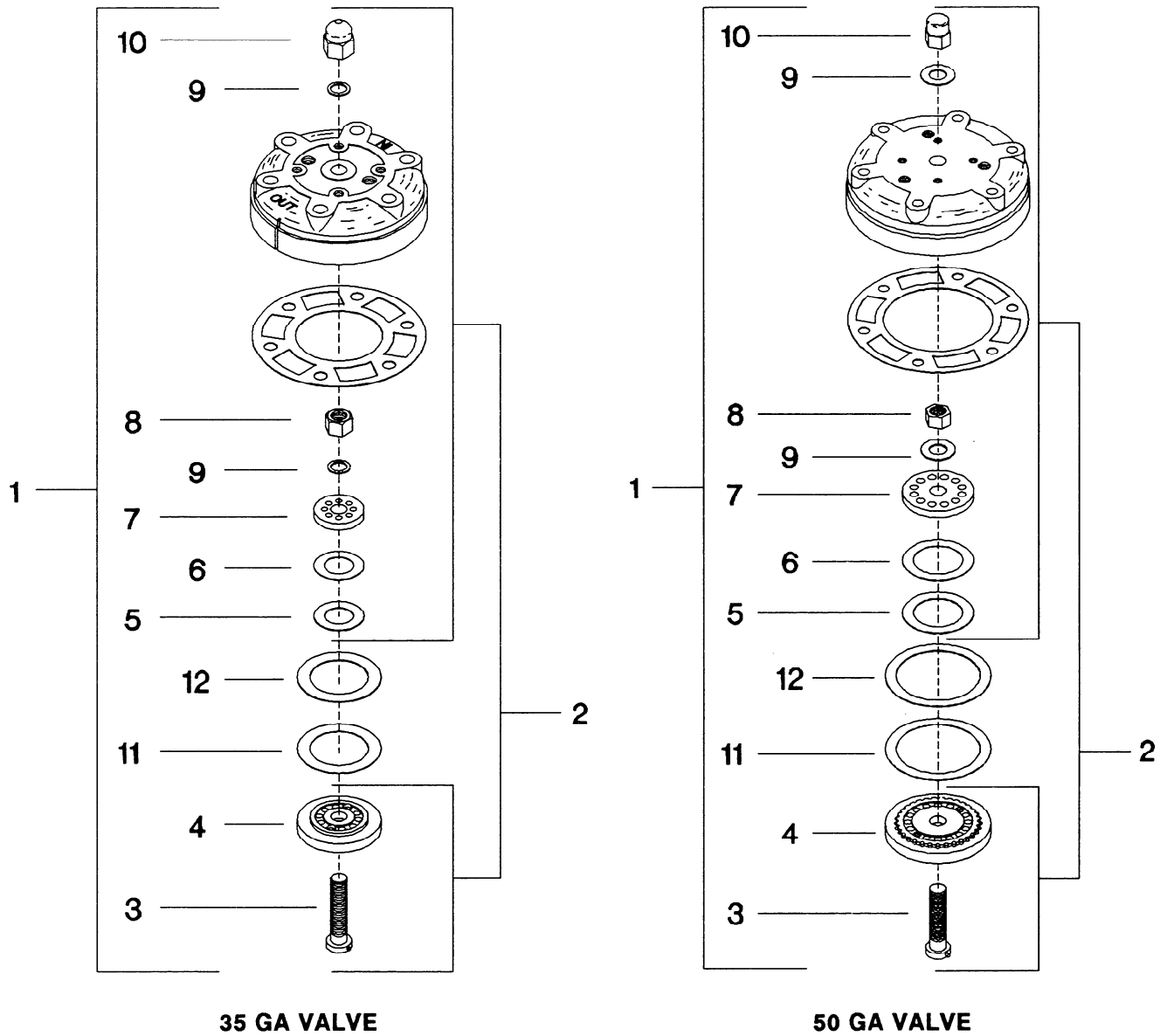
Hot parts. Compressors get hot while running, and can cause severe burns if touched.

Never touch the compressor, motor/engine, or tubing during or shortly after compressor operation.



Partes calientes. Los compresores de aire se calientan en operación y pueden causar quemaduras severas.

Nunca toque el compresor, el motor, o la tubería de descarga durante o poco después de operar el compresor.



35 GA VALVE

50 GA VALVE

FIGURE 1. VALVE ASSEMBLIES, 15T BARE COMPRESSOR.

| REF. NBR. | 35 GA VALVE PART NUMBER | 50 GA VALVE PART NUMBER | DESCRIPTION | UNITS PER. ASSY. | REC. SPARES | | |
|-----------|-------------------------|-------------------------|-----------------------------|------------------|-------------|---|---|
| | | | | | 1 | 2 | 3 |
| 1-1 | 37004827 | -- | VALVE - COMPLETE - 35 GA | 1 | | 1 | 1 |
| 1-1 | -- | 37004843 | VALVE - COMPLETE - 50 GA | 2 | | 2 | 2 |
| 1-2 | 32156713 | 32156739 | ● ASSEMBLY, VALVE | 1 | | | |
| 1-3 | 30220925 | 30279897 | ● BOLT, VALVE | 1 | | | |
| 1-4 | 30217608 | 30229538 | ● SEAT, VALVE - DISCHARGE | 1 | | | |
| 1-5 | 30215941 | 30181499 | ● PLATE, VALVE - DISCHARGE | 1 | 1 | 1 | 1 |
| 1-6 | 30221576 | 30221501 | ● SPRING, VALVE - DISCHARGE | 1 | 1 | 1 | 1 |
| 1-7 | 30218994 | 30218978 | ● PLATE, STOP - DISCHARGE | 1 | | | |
| 1-8 | 95076808 | 95076816 | ● NUT, HEX | i | | | |
| 1-9 | 32158644 | 37092897 | ● WASHER, BELLEVILLE | 2 | | | 2 |
| 1-10 | 30287643 | 30287650 | ● NUT, ACORN | 1 | | | |
| 1-11 | 30221501 | 30221550 | ● SPRING, VALVE - INLET | 1 | 1 | 1 | 1 |
| 1-12 | 30181499 | 30215891 | ● PLATE, VALVE - INLET | 1 | 1 | 1 | 1 |

IF VALVE REPLACEMENT IS DESIRED, WE RECOMMEND AN ECONOMICAL VALVE/GASKET KIT. SEE PAGE 10.

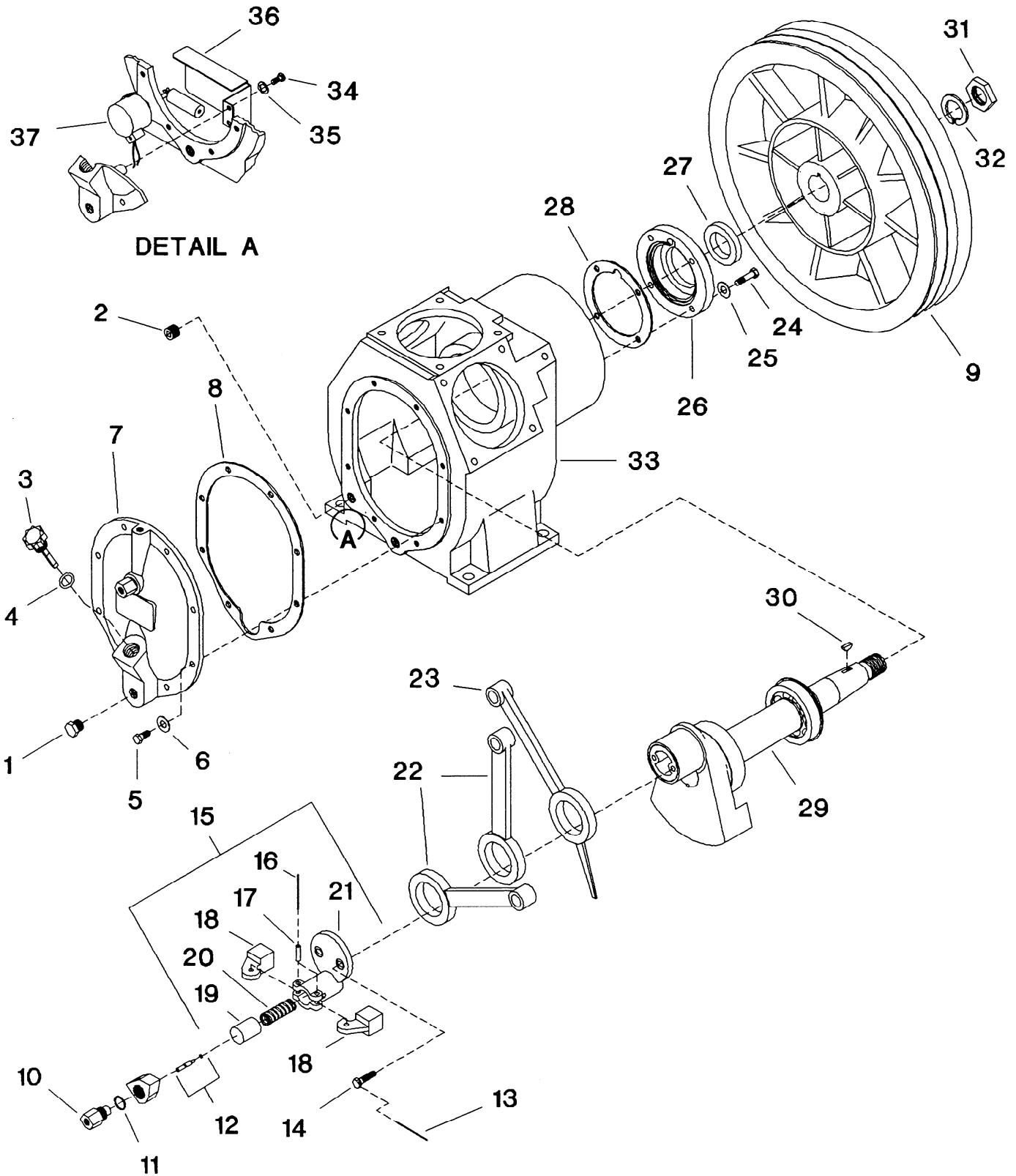


FIGURE 2. COMPRESSOR FRAME ASSEMBLY.

| REF. NBR. | PART NUMBER | DESCRIPTION | UNITS PER. ASSY. | REC. SPARES | | |
|---|-------------|--------------------------------------|------------------|-------------|---|---|
| | | | | 1 | 2 | 3 |
| 2-1 | 95078648 | PLUG, PIPE - HEX HEAD 1/2" | 1 | | | |
| 2-2 | 95344651 | PLUG, PIPE - SQUARE COUNTERSUNK 1/2" | 1 | | | |
| 2-3 | 30389003 | PLUG, OIL FILLER - COMPLETE | 1 | | | |
| 2-4 | 95018149 | ●O - RING | 1 | 1 | 1 | 2 |
| 2-5 | 95053146 | CAPSCREW - HEX 3/8-16 x 7/8" | 8 | | | |
| 2-6 | 95674677 | GASKET - COPPER WASHER | 8 | | | |
| 2-7 | 37128089 | COVER, FRAME END | 1 | | | |
| 2-8 | 30439285 | GASKET, FRAME END COVER | 1 | 1 | 1 | 2 |
| 2-9 | 32003667 | WHEEL, V-BELT | 1 | | | |
| 2-10 | 37113701 | VALVE, PILOT | 1 | | 1 | 1 |
| 2-11 | 30346597 | WASHER, COPPER | 1 | | | |
| 2-12 | 32028706 | PIN ASSEMBLY, THRUST | 1 | | 1 | 2 |
| 2-13 | 90799289 | LOCKWIRE, 20 GA x 5" | 1 | | | |
| 2-14 | 95101929 | CAPSCREW - 3/8-16 x 1" | 2 | | | |
| 2-15 | 30210272 | CAP ASSEMBLY, CRANKPIN | 1 | | | |
| 2-16 | 90799271 | ●LOCKWIRE, 12 GA x 4" | 1 | | | |
| 2-17 | 30214951 | ●PIN, CENTRIFUGAL UNLOADER WEIGHT | 2 | | | |
| 2-18 | 30220875 | ●WEIGHT, CENTRIFUGAL UNLOADER | 2 | | | |
| 2-19 | 30285688 | ●PLUNGER, CENTRIFUGAL UNLOADER | 1 | | | |
| 2-20 | 30815898 | ●SPRING, CENTRIFUGAL UNLOADER | 1 | | | 1 |
| 2-21 | 30210322 | ●BODY, CRANKPIN CAP | 1 | | | |
| 2-22 | 32003659 | ROD, CONNECTING - LOW PRESSURE | 2 | | 1 | 2 |
| 2-23 | 32003642 | ROD, CONNECTING - HIGH PRESSURE | 1 | | 1 | 1 |
| 2-24 | 95053146 | CAPSCREW - HEX 3/8-16 x 7/8" | 4 | | | |
| 2-25 | 95674677 | GASKET - COPPER WASHER | 4 | | | |
| 2-26 | 37128071 | COVER, SHAFT END | 1 | | | |
| 2-27 | 32204562 | SEAL, OIL | 1 | | 1 | 2 |
| 2-28 | 30294961 | GASKET, SHAFT END COVER | 1 | 1 | 1 | 2 |
| 2-29 | 30211601 | CRANKSHAFT - COMPLETE | 1 | | | |
| 2-30 | 95083721 | ●KEY, WOODRUFF | 1 | | | |
| 2-31 | 30287668 | ●NUT - HEX | 1 | | | |
| 2-32 | 95265690 | ●LOCKWASHER, SPRING | 1 | | | |
| 2-33 | 32182602 | FRAME, COMPRESSOR | 1 | | | |
| 2-34 | 95053070 | CAPSCREW - HEX 1/4-20 x 1/2 | 2 | | | |
| 2-35 | 95043196 | LOCKWASHER, SPRING - 1/4 | 2 | | | |
| 2-36 | 30290043 | BAFFLE, LOW OIL LEVEL SWITCH | 1 | | | |
| OPTIONAL EQUIPMENT | | | | | | |
| 2-37 | 32201527 | SWITCH, LOW OIL LEVEL - NEMA 1 | 1 | | | |
| 2-37 | 32217390 | SWITCH, LOW OIL LEVEL - NEMA 7 | 1 | | | |
| IF BEARING AND CONNECTING ROD REPLACEMENT IS DESIRED, WE RECOMMEND A BEARING/CONNECTING ROD KIT. SEE PAGE 10. | | | | | | |

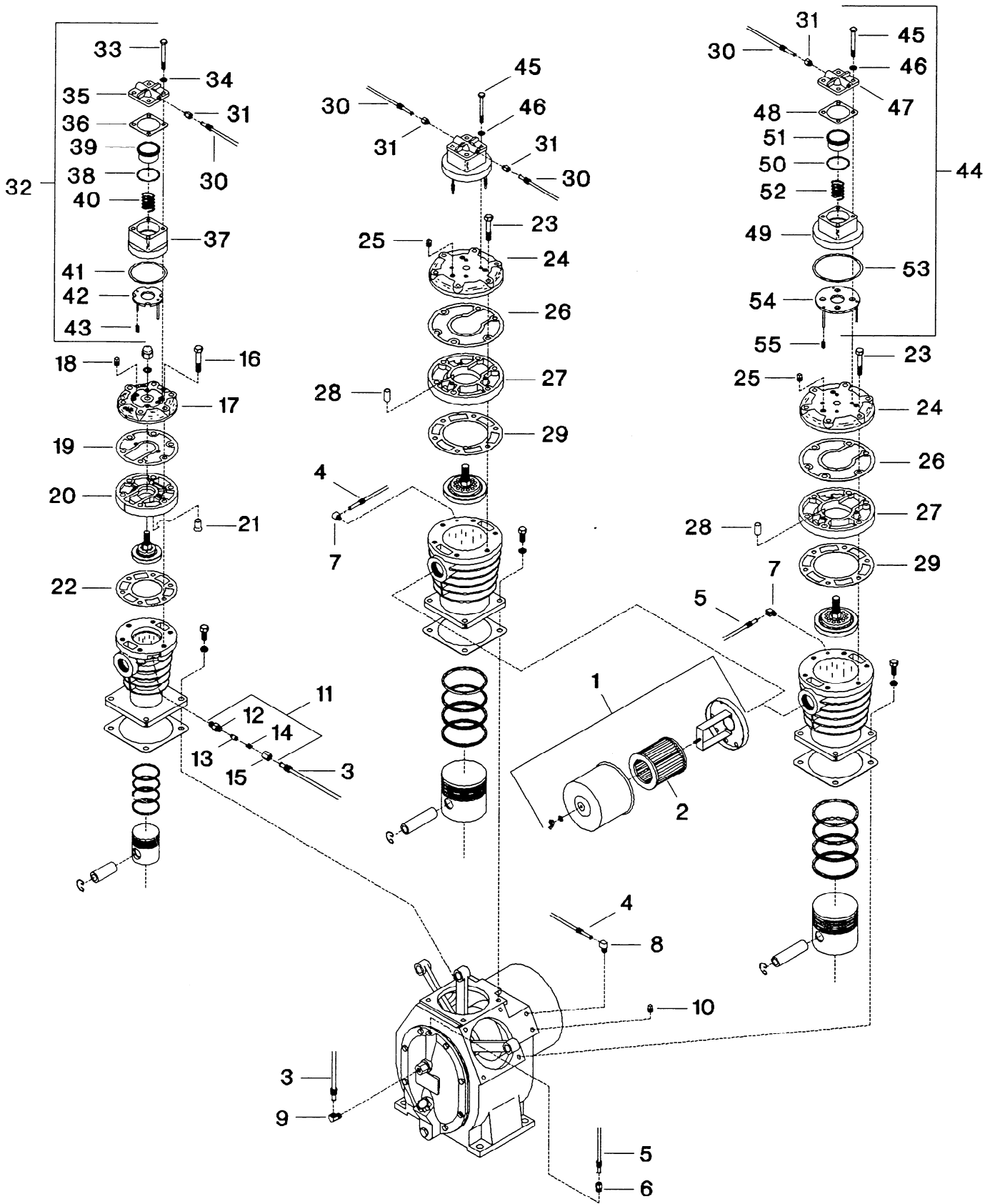
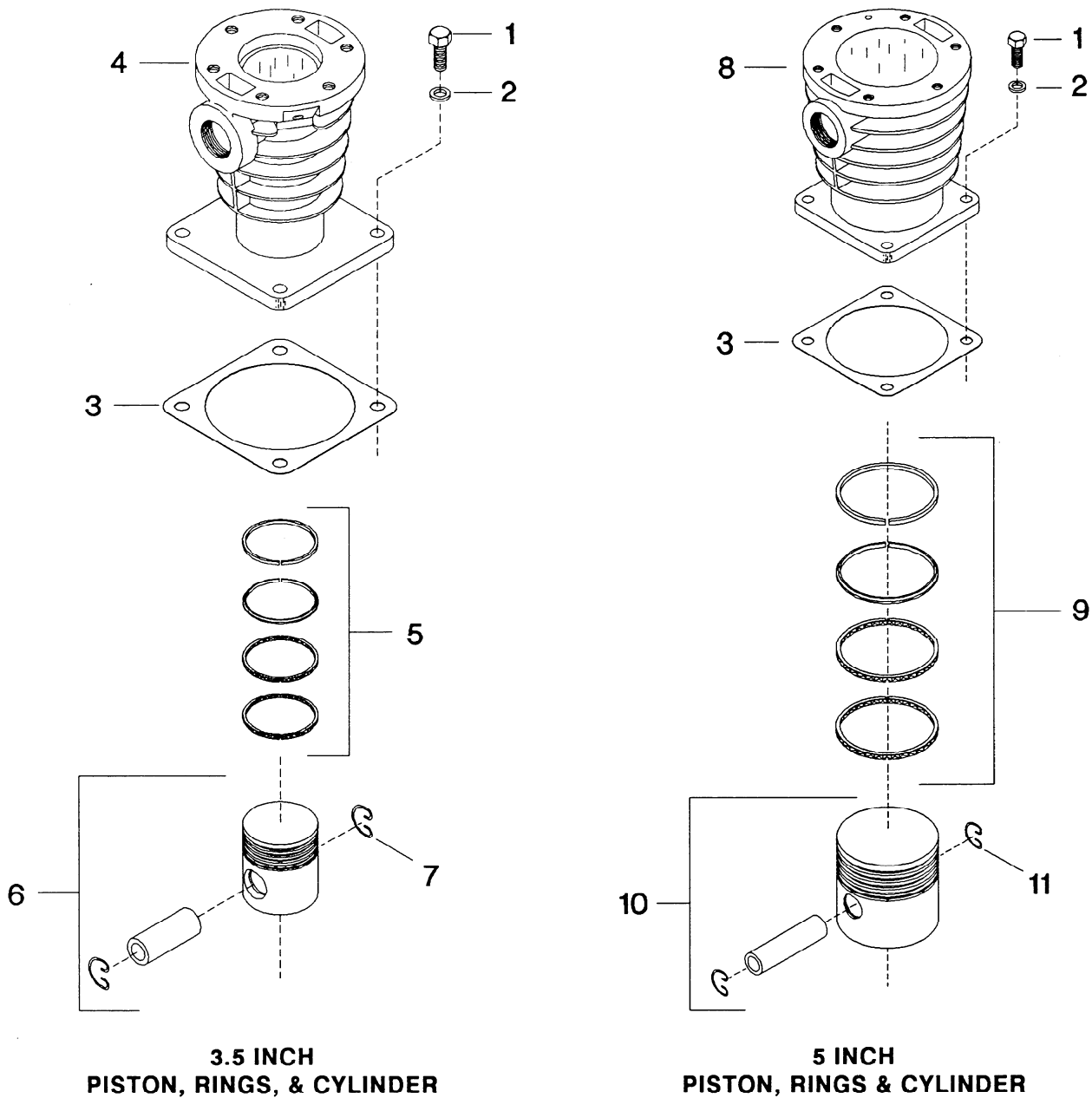


FIGURE 3. MODEL 15T BARE COMPRESSOR.

| REF. NBR. | PART NUMBER | DESCRIPTION | UNITS PER. ASSY. | REC. SPARES | | |
|---|-------------|--|------------------|-------------|---|---|
| | | | | 1 | 2 | 3 |
| 3-1 | 32109779 | FILTER COMPLETE - INLET | 2 | | | |
| 3-2 | 32012957 | ●ELEMENT, FILTER - 10 MICRON | 1 | 2 | 2 | 2 |
| 3-3 | 37003845 | TUBE ASSEMBLY, CYLINDER RELIEF/PILOT VALVE - 3/8 DIA. | 1 | | | |
| 3-4 | 37003829 | TUBE ASSEMBLY, BREATHER - 5/16 DIA. | 1 | | | |
| 3-5 | 37003837 | TUBE ASSEMBLY, FRAME END COVER/L.P. CYLINDER - 5/16 DIA. | 1 | | | |
| 3-6 | 32157554 | CONNECTOR, MALE - 5/16 x 1/4 | 1 | | | |
| 3-7 | 95031860 | ELBOW, TUBE - 5/16 x 1/8 | 2 | | | |
| 3-8 | 95110441 | ELBOW, TUBE - 5/16 x 1/4 | 1 | | | |
| 3-9 | 95040143 | ELBOW, TUBE - 3/8 x 1/4 | 1 | | | |
| 3-10 | 95252409 | PLUG, PIPE - HEX 1/4 | 1 | | | |
| 3-11 | 30291801 | ASSEMBLY, CYLINDER RELIEF VALVE | 1 | | | 1 |
| 3-12 | 35154111 | ●BODY, CYLINDER RELIEF VALVE | 1 | | | |
| 3-13 | 35154129 | ●VALVE, CYLINDER RELIEF BARE | 1 | | | |
| 3-14 | 30672638 | ●SPRING, CYLINDER RELIEF VALVE | 1 | 1 | 1 | 2 |
| 3-15 | 30279293 | ●CAP, CYLINDER RELIEF VALVE | 1 | | | |
| 3-16 | 95053054 | CAPSCREW - HEX 1/2-13 x 3 | 6 | | | |
| 3-17 | 37130382 | AIRHEAD, TOP - HIGH PRESSURE | 1 | | | |
| 3-18 | 32179038 | ●PLUG, PIPE - HEX HEAD 1/4 | 2 | | | |
| 3-19 | 37007754 | GASKET, AIRHEAD - TOP/BOTTOM - HIGH PRESSURE | 1 | 1 | 1 | 2 |
| 3-20 | 37130366 | AIRHEAD, BOTTOM HALF - HIGH PRESSURE | 1 | | | |
| 3-21 | 37114030 | DOWEL | 1 | | | |
| 3-22 | 30294508 | GASKET, AIRHEAD - HIGH PRESSURE | 1 | 1 | 1 | 2 |
| 3-23 | 95053054 | CAPSCREW - HEX 1/2-13 x 3 | 6 | | | |
| 3-24 | 37130515 | AIRHEAD, TOP - LOW PRESSURE | 2 | | | |
| 3-25 | 32179038 | ●PLUG, PIPE - HEX HEAD 1/4 | 6 | | | |
| 3-26 | 37007747 | GASKET, AIRHEAD - TOP/BOTTOM - LOW PRESSURE | 2 | 2 | 2 | 4 |
| 3-27 | 37130499 | AIRHEAD, BOTTOM HALF - LOW PRESSURE | 2 | | | |
| 3-28 | 37114030 | DOWEL | 2 | | | |
| 3-29 | 30294193 | GASKET, AIRHEAD - LOW PRESSURE | 2 | 2 | 2 | 4 |
| NOTE: PARTS LISTED BELOW USED WITH OPTIONAL CONSTANT SPEED CONTROL | | | | | | |
| 3-30 | 37003852 | ASSEMBLY, TUBE - L.P./L.P./H.P. CONSTANT SPEED - 5/16 DIA. | 2 | | | |
| 3-31 | 95082483 | CONNECTOR, TUBE - 5/16 x 1/8 | 4 | | | |
| 3-32 | 30292015 | UNLOADER - COMPLETE - HIGH PRESSURE | 1 | | | |
| 3-33 | 95102042 | ●CAPSCREW - HEX 3/8-16 x 3-1/2 | 4 | | | |
| 3-34 | 30345227 | ●WASHER, FLAT - 3/8 | 4 | | | |
| 3-35 | 37129905 | ●COVER, UNLOADER | 1 | | | |
| 3-36 | 30294656 | ●GASKET, UNLOADER COVER | 1 | 1 | 1 | 2 |
| 3-37 | 37129889 | ●BODY, UNLOADER | 1 | | | |
| 3-38 | 32136715 | ●O-RING | 1 | 1 | 1 | 1 |
| 3-39 | 32139883 | ●PISTON, UNLOADER | 1 | | | |
| 3-40 | 30416853 | ●SPRING, UNLOADER PISTON | 1 | | | 1 |
| 3-41 | 30294680 | ●GASKET, UNLOADER BODY | 1 | 1 | 1 | 2 |
| 3-42 | 32016578 | ●ASSEMBLY, UNLOADER PLATE | 1 | | | |
| 3-43 | 32012395 | ●SPRING, UNLOADER PIN | 2 | | | |
| 3-44 | 30292007 | UNLOADER - COMPLETE - LOW PRESSURE | 2 | | | |
| 3-45 | 95102042 | ●CAPSCREW - HEX 3/8-16 x 3-1/2 | 4 | | | |
| 3-46 | 30345227 | ●WASHER, FLAT - 3/8 | 4 | | | |
| 3-47 | 37129905 | ●COVER, UNLOADER | 1 | | | |
| 3-48 | 30294656 | ●GASKET, UNLOADER COVER | 1 | 1 | 1 | 2 |
| 3-49 | 37129947 | ●BODY, UNLOADER | 1 | | | |
| 3-50 | 32136715 | ●O-RING | 1 | 1 | 1 | 2 |
| 3-51 | 32139883 | ●PISTON, UNLOADER | 1 | | | |
| 3-52 | 30416853 | ●SPRING, UNLOADER PISTON | 1 | | | 2 |
| 3-53 | 30294698 | ●GASKET, UNLOADER BODY | 1 | 1 | 1 | 2 |
| 3-54 | 32016537 | ●ASSEMBLY, UNLOADER PLATE | 1 | | | |
| 3-55 | 32012395 | ●SPRING, UNLOADER PIN | 3 | | | 3 |
| IF FILTER REPLACEMENT IS DESIRED, WE RECOMMEND AN ECONOMICAL FILTER KIT. SEE PAGE 10. | | | | | | |



**3.5 INCH
PISTON, RINGS, & CYLINDER**

**5 INCH
PISTON, RINGS & CYLINDER**

FIGURE 4. PISTONS, RINGS, AND CYLINDERS

| REF. NBR. | PART NUMBER | DESCRIPTION | UNITS PER. ASSY. | REC. SPARES | | |
|---|-------------|---|------------------|-------------|---|---|
| | | | | 1 | 2 | 3 |
| 4-1 | 95053567 | CAPSCREW - HEX 1/2-13 x 1-1/4 | 12 | | | |
| 4-2 | 95674701 | GASKET - COPPER WASHER 1/2 | 12 | | | |
| 4-3 | 30294235 | GASKET, FLANGE | 3 | 3 | 3 | 6 |
| 4-4 | 37128501 | CYLINDER, AIR - 3.5 INCH HIGH PRESSURE | 1 | | | |
| 4-5 | 32218182 | SET, RING - 3.5 INCH HIGH PRESSURE | 1 | 1 | 1 | 2 |
| 4-6 | 30215198 | PISTON, AIR - COMPLETE - 3.5 INCH HIGH PRESSURE | 1 | | 1 | 1 |
| 4-7 | 30288450 | ●RING, LOCK | 2 | | | |
| 4-8 | 37128782 | CYLINDER, AIR - 5 INCH LOW PRESSURE | 2 | | | |
| 4-9 | 32198376 | SET, RING - 5 INCH LOW PRESSURE | 2 | 2 | 2 | 4 |
| 4-10 | 32054504 | PISTON, AIR - COMPLETE - 5 INCH LOW PRESSURE | 2 | | 2 | 2 |
| 4-11 | 30288450 | ●RING, LOCK | 2 | | | |
| IF PISTON RING REPLACEMENT IS DESIRED, WE RECOMMEND AN ECONOMICAL RING/GASKET KIT. SEE PAGE 10. | | | | | | |

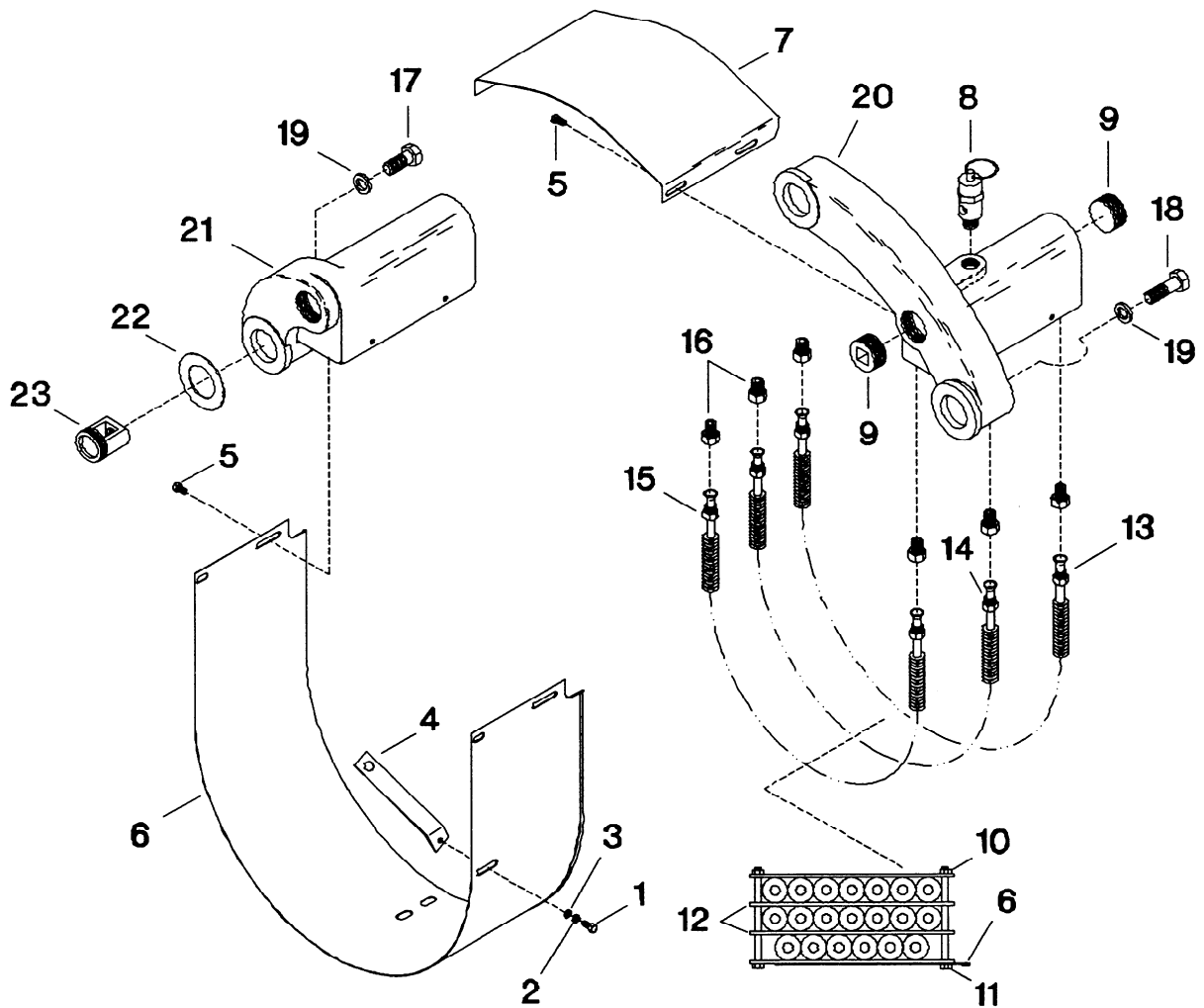


FIGURE 5. INTERCOOLER ASSEMBLY

| REF. NBR. | PART NUMBER | DESCRIPTION | UNITS PER. ASSY. | REC. SPARES | | |
|-----------|-------------|---------------------------------------|------------------|-------------|---|---|
| | | | | 1 | 2 | 3 |
| 5-1 | 95053070 | CAPSCREW - HEX 1/4-20 x 1/2 | 1 | | | |
| 5-2 | 95043196 | LOCKWASHER, SPRING - 1/4 | 1 | | | |
| 5-3 | 95094298 | WASHER, FLAT - 1/4 | 1 | | | |
| 5-4 | 30209829 | BRACE, INTERCOOLER SHROUD | 1 | | | |
| 5-5 | 32175572 | CAPSCREW - SERRATED WASHER HEAD 1/4 | 8 | | | |
| 5-6 | 30218283 | SHROUD, BOTTOM - INTERCOOLER | 1 | | | |
| 5-7 | 30218275 | SHROUD, TOP - INTERCOOLER | 1 | | | |
| 5-8 | 30357842 | VALVE, SAFETY - 65 PSIG | 1 | 1 | | 2 |
| 5-9 | 95033338 | PLUG, PIPE - SQUARE COUNTERSUNK 1-1/4 | 4 | | | |
| 5-10 | 95085965 | LOCKNUT - 1/4 | 2 | | | |
| 5-11 | 95053484 | CAPSCREW - HEX 1/4-20 x 4 | 2 | | | |
| 5-12 | 32024911 | BRACE, INTERCOOLER TUBE | 4 | | | |
| 5-13 | 32025686 | ASSEMBLY, TUBE 41-1/2 INCH | 6 | | 1 | 2 |
| 5-14 | 32025678 | ASSEMBLY, TUBE 38-3/4 INCH | 7 | | 1 | 2 |
| 5-15 | 32024697 | ASSEMBLY, TUBE 36 INCH | 7 | | 1 | 2 |
| 5-16 | 95083143 | CONNECTOR, MALE - 3/8 x 1/4 | 40 | | | |
| 5-17 | 95054128 | CAPSCREW - HEX 5/8-11 x 2 | 2 | | | |
| 5-18 | 95054144 | CAPSCREW - HEX 5/8-11 x 2-1/2 | 1 | | | |
| 5-19 | 30345185 | WASHER, FLAT - 5/8 | 3 | | | |
| 5-20 | 37129012 | MANIFOLD, INTERCOOLER - LOW PRESSURE | 1 | | | |
| 5-21 | 37129020 | MANIFOLD, INTERCOOLER - HIGH PRESSURE | 1 | | | |
| 5-22 | 30294870 | GASKET, MANIFOLD | 3 | 1 | 1 | 3 |
| 5-23 | 30221121 | CONNECTION, MANIFOLD | 3 | | | |

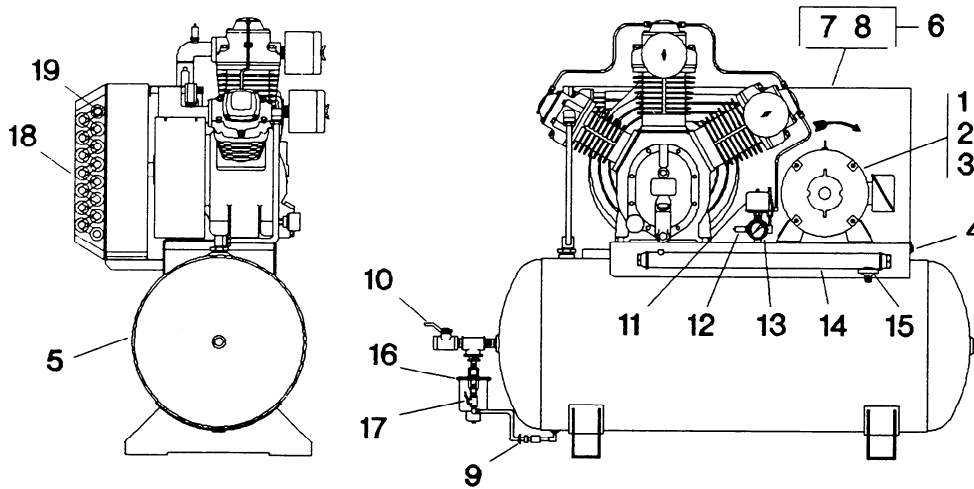


FIGURE 5. TYPICAL COMPRESSOR DRIVE, AIR RECEIVER, AND ACCESSORIES.

| REF. NBR. | PART NUMBER | DESCRIPTION | UNITS PER. ASSY. | REC. SPARES | | |
|-----------|-------------|--|------------------|-------------|---|---|
| | | | | 1 | 2 | 3 |
| 6-1 | * | MOTOR, ELECTRIC | 1 | | | |
| 6-2 | * | PULLEY, MOTOR | 1 | | | |
| 6-3 | 95100541 | BELT, "V" (15 HP) | 3 | | 3 | 3 |
| 6-3 | 95100558 | BELT, "V" (20 & 25 HP) | 3 | | 3 | 3 |
| 6-4 | 32188708 | TIGHTENER, BELT - COMPLETE | 1 | | | |
| 6-5 | 32162406 | RECEIVER ASSEMBLY - 120 GAL. HORIZONTAL - 200 PSIG | 1 | | | |
| 6-5 | 32162414 | RECEIVER ASSEMBLY - 120 GAL. HORIZONTAL - 260 PSIG | 1 | | | |
| 6-6 | 32002529 | BELTGUARD - COMPLETE | 1 | | | |
| 6-7 | 32003410 | ●BACK, BELTGUARD | 1 | | | |
| 6-8 | 32003329 | ●COVER, BELTGUARD | 1 | | | |
| 6-9 | 32027120 | VALVE, MANUAL DRAIN | 1 | | | |
| 6-10 | 32180242 | VALVE, BALL - 1" M/F (SERVICE VALVE) | 1 | | | 1 |
| 6-11 | 37005907 | SWITCH, PRESSURE - NEMA 1 - 200 PSIG | 1 | 1 | 1 | 1 |
| 6-11 | 37005923 | SWITCH, PRESSURE - NEMA 1 - 250 PSIG | 1 | 1 | 1 | 1 |
| 6-12 | 31385693 | VALVE, SAFETY - 200 PSIG (RECEIVER) | 1 | | | 1 |
| 6-12 | 32174799 | VALVE, SAFETY - 260 PSIG (RECEIVER) | 1 | | | 1 |
| 6-13 | 32013872 | GAUGE, PRESSURE - 300 PSIG | 1 | 1 | 1 | 1 |
| 6-14 | 32146235 | AFTERCOOLER, WATER COOLED | 1 | | | |
| 6-15 | 35229723 | VALVE, AUTOMATIC WATER | 1 | | | |
| 6-16 | 32005282 | TRAP, AUTO DRAIN | 1 | | | |
| 6-17 | 32180200 | VALVE, BALL - 1/4" | 1 | | | 1 |
| 6-18 | 32003238 | COIL, AFTERCOOLER - AIR COOLED | 1 | | | 1 |
| 6-19 | 32174286 | VALVE, SAFETY - DISCHARGE - 325 PSIG | 1 | | | 1 |
| *** | 32170771 | VALVE, AUXILIARY - CONSTANT SPEED CONTROL | 1 | | | |
| *** | 32170797 | VALVE, AUXILIARY - DUAL CONTROL | 1 | | | |
| *** | 32212649 | KIT, DECAL | 1 | | | |
| ** | 32178766 | OIL, XL-T30 - SYNTHETIC COMPRESSOR LUBRICANT | 1 GAL. | | | 1 |

* Specify discharge pressure of compressor and complete motor nameplate data.

** Purchase from your local Ingersoll-Rand Distributor.

*** Not Shown in Illustration

STEP SAVER KIT

For your convenience, the following parts and/or spare parts for your compressor are available in parts kits. When ordering the kits below, use kit names as Description and the Part No. as shown.

| PART NO. | DESCRIPTION |
|----------|-----------------------------|
| 32127482 | KIT, FILTER |
| 32127490 | KIT, VALVE/GASKET |
| 32218869 | KIT, RING/GASKET |
| 32127516 | KIT, BEARING/CONNECTING ROD |
| 30418834 | KIT, GASKET |

NOTICE

THE USE OF REPAIR PARTS OTHER THAN THOSE INCLUDED WITHIN THE INGERSOLL-RAND COMPANY APPROVED PARTS LIST MAY CREATE UNSAFE CONDITIONS OR MECHANICAL FAILURES OVER WHICH INGERSOLL-RAND COMPANY HAS NO CONTROL. INGERSOLL-RAND COMPANY SHALL BEAR NO RESPONSIBILITY FOR EQUIPMENT ON WHICH NON-APPROVED REPAIRS PARTS ARE INSTALLED.

The manufacturer reserves the right to make changes or add improvements without notice and without incurring any obligation to make such changes or add such improvements to products previously sold.

GLOSSARY

Group Assembly Parts List

Parts are listed in disassembly sequence, where applicable. Each assembly is broken down into subassemblies and detail parts which are identified with "bullet" (•) symbols in the DESCRIPTION column to indicate the relationship to the next higher assembly:

Assemblies and Detail Parts

- Attaching Parts for Assemblies and Detail Parts
- • Subassemblies
- • • Detail Parts for Subassemblies, etc.

Reference Number Column

The reference number is the number assigned to the part in the listing. The reference number corresponds to the item on the associated illustration. Where applicable, the following abbreviations might appear in this column:

- NI Not Illustrated.
- REF Reference Only. Refer to the figure and page noted in the description column.

Part Number Column

All numbers listed in this column are INGERSOLL-RAND part numbers, and must be specified when ordering replacement parts. The following abbreviations appear in this column:

- NA Not Applicable. This abbreviation indicates items which are not used on particular models or packages.
- NSS Not Sold Separately. These items must be ordered under the next higher assembly, or, where applicable, as part of a Step Saver Kit.
- * Consumable Materials (lubricants, sealants, etc.). Purchase directly from your local INGERSOLL-RAND Air Center or Full Service Distributor.
- ** Part Number Varies. Specify the compressor bare speed and complete nameplate data when ordering.

Description Column

The description column indicates the item by standard name followed by modifiers. The modifiers identify specific characteristics (i.e. dimensions, capacity, pressure setting, etc.), and/or the particular location or function on the compressor. Always include the description when ordering replacement parts or kits.

Quantity Per Assembly Column

Quantities listed in this column reflect the number used in the next higher assembly, and are not necessarily the total quantity of the part used in the complete package. Specify the desired quantity when ordering replacement parts.

Recommended Spares Column

Quantities listed in this column reflect the number of each item which we recommend be kept on hand for maintenance or repair:

- CLASS 1 MINIMUM. Recommended quantity for Domestic Service where interruptions in service are not important.
- CLASS 2 AVERAGE. Recommended quantity for Domestic Service where interruptions in continuity of service are not objectionable.
- CLASS 3 MAXIMUM. Recommended quantity for International or Domestic Service where interruptions in service are not acceptable.

Step Saver Kits

Step Saver Kits are available for all compressor models. These kits are designed to provide all of the parts you will need to perform routine maintenance and repair tasks. A list of available Step Saver Kits is included in the Parts List manual which came with your compressor. When ordering Step Saver Kits, please follow the instructions set out below for ordering replacement parts.

ORDERING INSTRUCTIONS

All parts listed in the Part List manual for your compressor are available through your local INGERSOLL-RAND Air Center or Full Service Distributor. Consult the Directory of Distributors included with your compressor to locate the distributor in your area.

When ordering replacement parts or Step Saver Kits, please specify:

1. The MODEL and SERIAL NUMBER as stamped on the compressor nameplate.
2. The FORM NUMBER of the Parts List manual.
3. The QUANTITY, DESCRIPTION and PART NUMBER exactly as listed.

EXAMPLE

| | |
|------------------------------------|-----------|
| Send the following parts for model | 7100 |
| Serial Number | T30000000 |
| Literature Form Number | SCD-478A |
| 1 Switch, Pressure - NEMA 1 | 37005907 |
| 2 Element, Filter | 32012957 |
| 1 Gauge, Pressure | 32013872 |

NOTA

EL USO DE PARTES PARA REPARACION DIFERENTES A LAS INCLUIDAS EN LA LISTA DE PARTES APROBADA DE INGERSOLL-RAND PUEDE CREAR CONDICIONES INSEGURAS O FALLAS MECANICAS SOBRES LAS CUALES INGERSOLL-RAND NO TIENE CONTROL. POR LO TANTO INGERSOLL-RAND NO PUEDE SER RESPONSABLE POR EQUIPOS EN LOS QUE SE HAN USADO PARTES NO APROBADAS.

El fabricante se reserva el derecho a hacer cambios o adicionar mejoras sin notificación y sin incurrir en la obligación de hacer dichos cambios o adicionar tales mejoras a productos vendidos previamente.

GLOSARIO

Lista de Partes de Conjuntos de Ensamble

Las partes están listadas en secuencia de desarme en donde sea aplicable. La relación de un artículo con su más alto e inmediato ensamble está indicado por una indentación (•). Por ejemplo en la columna de DESCRIPCIÓN:

Ensamblados y partes detalladas

- Partes para ensamblados y partes detalladas
- • Subensamblados
- • • Partes detalladas para sub-ensamblados etc.

Columna de Items

El número de ítem es el asignado a la parte en el listado. Este número de ítem identifica la parte en la ilustración asociada. Las abreviaturas siguientes podrían aparecer en esta columna:

- NI No ilustra.
- REF Para la referencia. Refiera a la página e ilustración apropiada.

Columna de Numero de Parte

Todos los números son números de parte INGERSOLL-RAND los cuales deben ser especificados cuando se ordenen los repuestos. Las abreviaturas siguientes podrían aparecer en esta columna:

- NA Significan que la parte no es aplicable a determinados modelos.
- NSS Indican que la parte no se vende por separado para determinados modelos. Las letras
- * Los Materiales Consumibles (lubricantes, adhesivos, etc.). Compradirectamente desde un INGERSOLL-RAND Distribuidor de Servicio o Air Center.
- ** El Número de Parte Varía. Especifique los datos completos de compresor cuandoordenación.

Columna de Descripción

Esta columna de descripción contiene el nombre del artículo estándar con modificadores. La relación de un artículo con su próximo ensamble más alto se muestra en esta columna por una indentación. Siempre incluir la descripción cuando ordenadora conjuntos o partes dereemplazo.

Columna de Cantidad Por Ensamble

Las cantidades especificadas en esta columna son el número de partes usadas por cada ensamble superior y no necesariamente son el número total de partes del modelo en general. Especifique la cantidad deseada cuando partes ordenadoras de reemplazo.

Como Seleccionar Repuestos Recomendados

Este catálogo contiene una lista de partes que está incluidas en cada una de las siguientes clases de repuestos recomendados:

- CLASE 1 MINIMA. Sugerida para uso doméstico donde interrupciones en la continuidad del servicio no son importantes.
- CLASE 2 PROMEDIO. Sugerida para servicio doméstico donde algunas interrupciones en la continuidad del servicio no son objetables.
- CLASE 3 MAXIMA. Sugerida para exportación o para servicio doméstico donde la interrupción en el servicio es objetable.

Conjuntos de Partes

Los conjuntos de Partes son disponibles para todos los compresores. Estos conjuntos se diseñan para proveer todas las partes usted necesitará desempeñar el mantenimiento de rutina y repara tareas. Una lista de Conjuntos disponibles se incluye en el lista de partes que vino con su compresor. Cuando se ordenen repuestos recomendados o kits prácticos, siga el procedimiento descrito para partes del compresor.

INSTRUCCIONES DE ORDEN DE COMPRA

Todas las partes enumeraron en el Lista de Partes para su compresor son disponibles mediante su Air Center o Distribuidor de Servicio de INGERSOLL-RAND. Consulte el Directorio de Distribuidores incluyócon su compresor para ubicar el distribuidor en su área.

Cuando se ordenen repuestos, por favor especifique:

1. El MODELO y NUMERO DE SERIE como está impreso en la placa del compresor
2. El NUMERO DE FORMATO de la lista de partes.
3. La CANTIDAD, DESCRIPCION y NUMERO DE PARTE exactamente como fue listado.

EJEMPLO

| | |
|--|-----------|
| Envíe las siguientes partes para un modelo | 7100 |
| Número de Serie | T30000000 |
| Número de formato de la literatura | SCD-478A |
| 1 Interruptor, Presión | 37005907 |
| 2 Elemento, Filtro | 32012957 |
| 1 Manómetro | 32013872 |

**Look What INGERSOLL-RAND
Can Do For YOU. . .**

**Vea Lo Que INGERSOLL-RAND
Puede Hacer Por USTED. . .**

EFFICIENT FIELD SERVICE

We maintain a highly trained staff of technicians to service your equipment for preventive maintenance, or to assist you should emergencies ever occur.

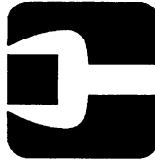


EFICIENTE SERVICIO EN EL CAMPO

Mantenemos un grupo de mecánicos entrenados para suministrarle mantenimiento preventivo o atender cualquier emergencia que puede tener.

COMPLETE REPAIR SERVICE

Our trained technicians will repair or overhaul your equipment to factory specifications, using only genuine I-R parts.



COMPLETO SERVICIO DE REPARACION

Mecánicos entrenados repararán su compresor según los métodos recomendados por fábrica usando solamente partes genuinas Ingersoll-Rand.

SPECIAL ENGINEERING SERVICE

We can help you identify and solve your compressed air problems by evaluating your needs and recommending the proper compressor and air piping system to give you maximum efficiency.



SERVICIO DE INGENIERIA ESPECIAL

Nosotros podemos ayudarlo con sus problemas de aire comprimido investigando sus necesidades y recomendando el compresor y el sistema de aire adecuados para lograr máxima eficiencia.

SPARE PARTS

By stocking genuine I-R spare parts, we can help you avoid costly delays, or substituting inferior parts. Using genuine I-R parts on your I-R equipment will help to keep even older machines running in good-as-new condition.

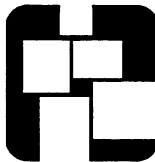


PARTES DE REPUESTO

Mantenemos partes genuinas Ingersoll-Rand, evitando posibles sobrecostos debido a demoras en la sustitución de partes menores. Como resultado, los equipos antiguos son mantenidos como nuevos.

COMPLETE STOCK OF EQUIPMENT

We carry a complete line of I-R equipment and accessories designed to met any compressed air application. We are backed by Ingersoll-Rand's prompt factory shipment to ensure you on-time delivery.



STOCK COMPLETO DE EQUIPOS

Nuestro stock de máquinas completas que pueden encargarse usualmente de cualquier necesidad, está soportado por un eficiente sistema de despachos de fábrica de Ingersoll-Rand para asegurarse entrega a tiempo.

A SUBSTITUTE IS NOT A REPLACEMENT

Ensure you get peak performance and longevity out of your Ingersoll-Rand compressor by insisting on genuine Ingersoll-Rand replacement parts and maintenance kits. Not only are the replacement parts made to precise dimensions and OEM-specified metallurgy, but each part is backed by the Ingersoll-Rand warranty. Your local Air Center, Full-Service distributor or direct Ingersoll-Rand salesperson will work with you to ensure you get the parts you need to do the job right. Equip your machines with only the best - Ingersoll-Rand Genuine Parts.

UN SUSTITUO NO ES UN REEMPLAZO

Asegúrese que obtiene máximo desempeño y duración de su compresor insistiendo en usar solamente partes de reemplazo genuinas y kits de mantenimiento Ingersoll-Rand. No solamente están construidas con dimensiones precisas y especificaciones exactas de metalurgia, sino que cada parte está respaldada por la garantía Ingersoll-Rand. Su Air Center, su Distribuidor de Servicio o el personal de ventas directo de Ingersoll-Rand trabajarán con Usted para asegurarse que recibe las partes para efectuar el trabajo correcto. Equipe sus máquinas sólo con lo mejor - Partes Genuinas Ingersoll-Rand.

**DISTRIBUTED BY:
DISTRIBUIDO POR:**



**Ingersoll-Rand Company
Reciprocating Compressor Division
Small Compressor Business Unit
Campbellsville, KY 42718**