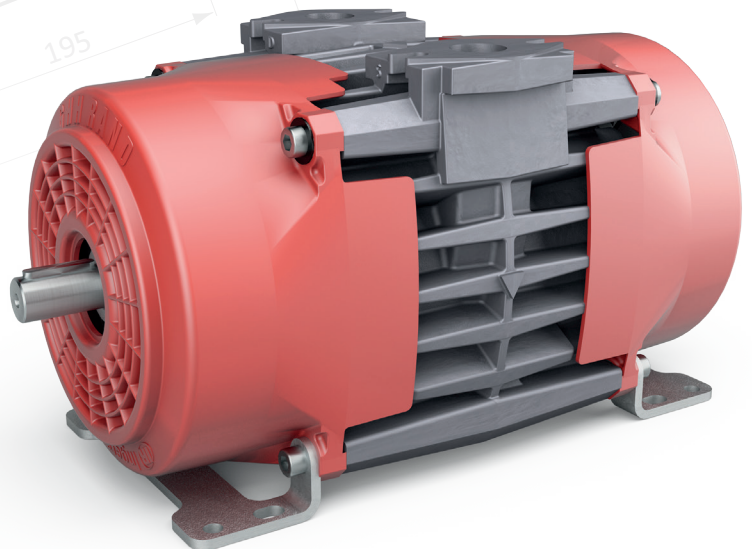


Installation, Operating & Maintenance Manual (Original Instructions)

SV205 Rotary Vane Compressor

May 2023



DE

WICHTIG!

Elektronische Versionen der Installations-, Betriebs- und Wartungshandbücher der SV150 und SV205 sowie der Serviceanleitungen können von der Website www.ingersollrand.com/ghhrandtransport heruntergeladen werden.

EN

IMPORTANT!

Electronic versions of the SV150 & SV205 Installation, Operating & Maintenance Manual's plus Service Instruction Manual's can be downloaded from Website www.ingersollrand.com/ghhrandtransport.

FR

IMPORTANT !

Les versions électroniques des manuels d'installation, d'utilisation et d'entretien du SV150 et du SV205, ainsi que des manuels d'instructions de service, peuvent être téléchargées à partir du site Web www.ingersollrand.com/ghhrandtransport.

Contents

Chapter		Page
1	Health & Safety	
	Health & Safety Issues	4
2	General	
2.1	Product General Description	5
2.2	Power Options	5
2.3	Storage/Low Use	5
2.4	Dimensions, performance data, and operating environment	7
3	Installation	
3.1	General	8
3.2	Mounting	8
3.3	Lifting	9
3.4	Mounting orientations	9
3.5	Lubrication	9
3.6	PTO and prop. shaft drive alignment	10
3.7	Machine and PTO alignment	11
3.8	Pipe work	11
3.9	Ancillaries	13
4	Operating and commissioning	
4.1	Pre-operating check-list	14
4.2	Test/operating procedure	14
4.3	Driver Training	15
5	Maintenance	
5.1	Schedule	16
5.2	Checking the relief valve operation	16
5.3	Inspecting the check (non-return) valve	16
5.4	Silencers/Pipe work	16
5.5	Lubrication	16
5.6	Air Inlet Filter	17
5.7	Checking the blade wear	18

1

Health & Safety

Read the whole manual before commencing installation.



Static electricity

Ensure, that where required, the compressor and ancillaries are earthed in accordance with BS5958 Part 1 1983; 'Control of Undesirable Static Electricity'.

Powder-air combinations are potentially explosive.



Drive line

It is the responsibility of the installer of the equipment to ensure all rotating and moving parts of the installation are adequately guarded to a standard which complies with the prevailing safety legislation.



Compressor

The compressor has internal moving parts some of which may be accessed through the inlet and outlet apertures. During operation cooling fans rotate beneath the cowls at each end of the machine and these can be accessed through the discharge aperture. Do not place any objects especially fingers into these apertures as personal injury could result.



Installation

A relief valve must be fitted in the outlet pipe work as close to the compressor as possible. The valve must be positioned so as not to vent air onto any personnel since the air discharged will be hot and can cause severe burns.



Storage/Low use

Before the machine is installed or when it will not be used for long periods:

- Store in a dry, heated building.
- Handle with care and keep the suction and delivery ports covered.
- Rotate the drive shaft of the machine each week, in the direction shown by the arrow between the suction and delivery ports on the machine body.

Where the compressor is mounted on a vehicle and located outside, it should be operated for at least 15 minutes each week (twice a week in damp/cool conditions).



Fire & Heat

The compressor includes seals made of fluoroelastomer polymers which degrade if exposed to temperatures above 300°C. If the material has been so exposed then it must not be handled with bare hands.

Surface temperatures can exceed 200°C. Highly combustible materials must not come into contact with the discharge pipework or compressor body.



Relief Valve Check

This procedure should be carried out every month to clear the valve seat and check the valve is functional. (Ear protection is recommended).



Noise

Tests show **maximum** noise levels for the SV205 should typically not exceed 90 dB(A) in the worst case (1600rpm 2.5 bar g).

In accordance with our policy of continuous product improvement, GHH Rand reserve the right to alter details and specifications without notice.

2.1 Product general description

The SV205 is a light-weight, compact rotary vane compressor designed for the oil free discharge of bulk liquids from general purpose tankers, e.g. liquid foodstuff, solvents, acids alkalis, hot bitumen, resins and other chemicals.

The main advantage of using a compressor to discharge liquids is that the product does not come into contact with machine. This eliminates any problems of material compatibility with the liquid enabling a much wider variety of products to be discharged.

The machine is an oil free sliding vane design with the main stainless steel rotor being supported by bearing arrangements at either end.

All the components in the main bore cavity are manufactured from corrosion resistant materials to resist any possibility of atmospheric corrosion.

The very compact shape and size of the machine make it ideal for mounting inside the chassis to enable direct low-cost prop. shaft driving or via other drive methods more suitable for a particular application.

A through shaft allows CW or ACW input drive rotation and the compressor can be installed on any face to provide the maximum mounting flexibility.

The standard package consists of:

SV205 cw basic machine

- Air Inlet Filter 5" Cyclonic
- Air Inlet Hose Kit
- Inlet Flange (Cast Aluminium)
- Port Gaskets
- Relief Valve (2.5 bar (g) 1/2" BSP)
- Non Return Valve - 1.5" BSP
- Stainless Steel Discharge Flange(WI)
- Mounting Feet (Pair)

2.2 Power Options

The SV205 can be driven using any of the following drive systems.

Prop. shaft	Direct from a gearbox mounted PTO.
Hydraulically	Several standard drives are available.
Electrically	Motor drive packages on base frames/plates.
Engine	Drive packages on base frames/plates.

2.3 Storage/Low use

Before the machine is installed or when it will not be used for long periods:

- Store the machine in a dry, heated building.
- Handle the machine with care and keep the suction and delivery ports covered.
- Rotate the drive shaft of the machine each week, in the direction shown by the arrow between the suction and delivery ports on the machine body. Where the compressor is mounted on a vehicle and located outside, it should be operated for at least 15 minutes each week (twice a week in damp/cool conditions).

Note

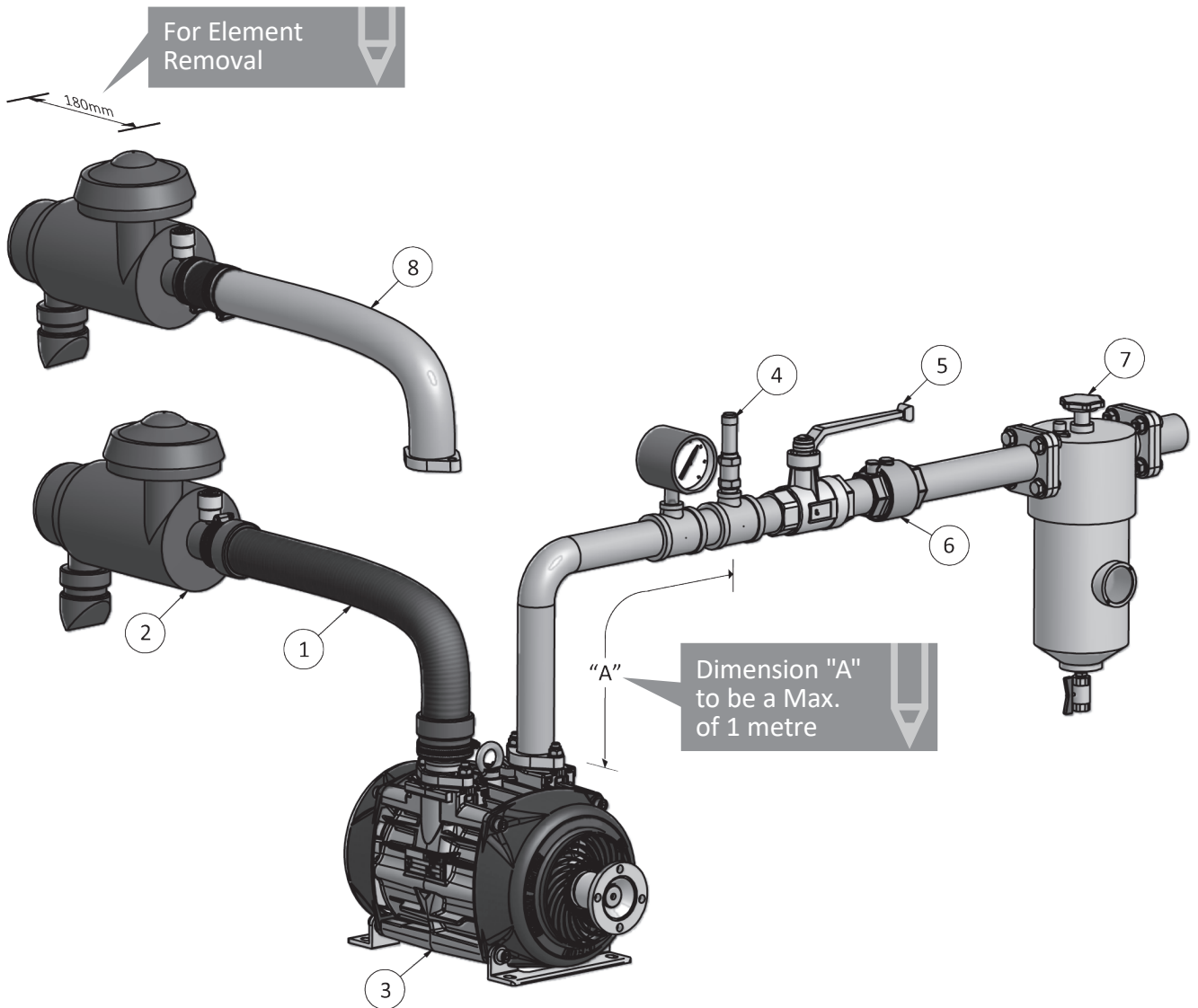
The shape and size of the machine make it particularly suitable for PTO/prop. shaft driving inside the vehicle chassis.

Note

Do not allow dirt, oil and grease to enter the machine ports as this could cause severe damage.

2

General



No. Description

1. Inlet filter kit - flexible
2. SV205 inlet filter
3. Basic SV205 Machine
4. Relief Valve
5. Isolating Valve
6. Check (Non-Return) Valve
7. Micronic Discharge Filter
8. Alternative For hard piping

Figure 1. Recommended Layout

2

General

2.4 Dimensions, Performance Data & Operating Environment

Dimensions

The dimensions of the compressor are shown in figure 2 below.

Performance

The performance details and power requirements of the SV205 compressor are shown on the product data sheet.

For additional information, the constant running torque does not exceed:

78 Nm Speed range 1000 - 1600 rpm

Product Data can be found on the machine nameplate which is mounted on the side of the compressor as shown in figure 2a below.

Operating environment

The permissible/foreseen operating environment is as follows:

Ambient temperature range	-40 to +50°C
Resistant to tropical rain (in operation and transit), salt and sun	
Humidity level	Up to 100% RH condensing
Vibration level	0 to 40 Hz; ± 40 mm amplitude tested
Inlet depression	Not to exceed 50mbar
Orientation	See fig 4 page 9
Max. outlet temperature	270°C

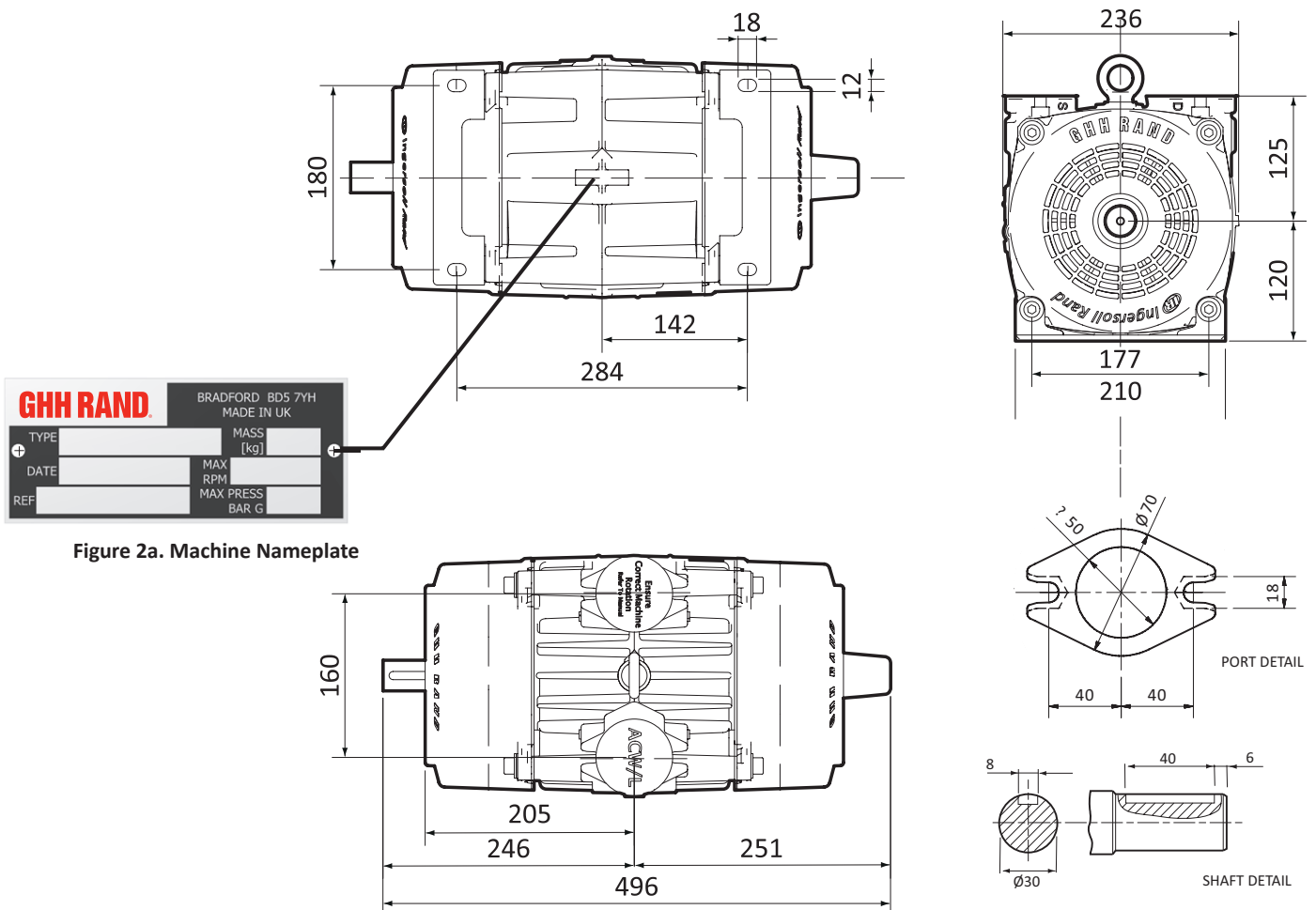


Figure 2a. Machine Nameplate

Figure 2. Dimensions

47815111 A

3

Installation



Caution

Operating in reverse, even for a short period, can cause severe damage to the machine.

3.1 General

For the recommended layout of the machine and ancillaries, see figure 1.

When selecting the machine mounting position, the following points should be considered:

- Direction of input rotation to the machine must be correct and is simple to change by swapping over the plastic cowls (see section 3.6 for how to change the machine input rotation) and driving the shaft at the other end of the machine.
- Install away from sources of heat, e.g. vehicle exhaust air or hot pipes that could effect the compressor temperature in any way.
- Venting relief/control valve air must be unobstructed and direct to the atmosphere.
- The relief valve should be fitted as close as possible to the SV205 discharge port and before any other discharge ancillary (See Figure 1).
- Any valves should be positioned to avoid hot air venting onto the operator.
- A cooling fan is fitted at each end of the machine and the cooling air path into the fan must not be obstructed.
- A space of at least 25mm must be allowed around the machine for air circulation. If mounting to a solid plate, the machine should be mounted at least 25mm from the plate or a cooling hole should be cut into the plate.
- Any flexible coupling assembly used with the machine (e.g. on hydraulic drives) must incorporate shaft end clearance (at least 1mm) to avoid interference through temperature expansion during operation.

Note



Only the longer capscrews supplied with the feet must be used for securing the feet to the machine.

All fasteners should be tightened to 35 Nm.

3.2 Mounting

Each mounting foot is attached to the machine using two long capscrews (Fig 3, Item 2) and washers (Fig 3, Item 3) with the location bushes (Fig. 3, Item 4), waved washers (Fig. 3, Item 5) and mounting bushes (Fig. 3, Item 6) fitted between the mounting feet (Fig 3, Item 1) and the cowls.

The location bushes (Fig 3, Item 4) are a press fit into the mounting feet.

The mounting bushes (Item 6) have axial play controlled by the waved washers (Item 5) to allow thermal expansion during operation.

12mm diameter holes are provided in the bottom of feet to allow 10mm studs, screws and nuts (all grade 8.8 or higher) to be used for securing the machine.

The feet should be fixed to a flat surface to avoid inducing unnecessary stresses into the machine and mounting feet. This can be achieved using shimming if necessary. Check the feet are parallel to the mounting bush and the clearance for the waved washer is equal all round.

No.	Description
1.	Mounting foot
2.	Cap Screw, M10
3.	Washer, M10
4.	Location Bush
5.	Waved Washer
6.	Mounting Bush

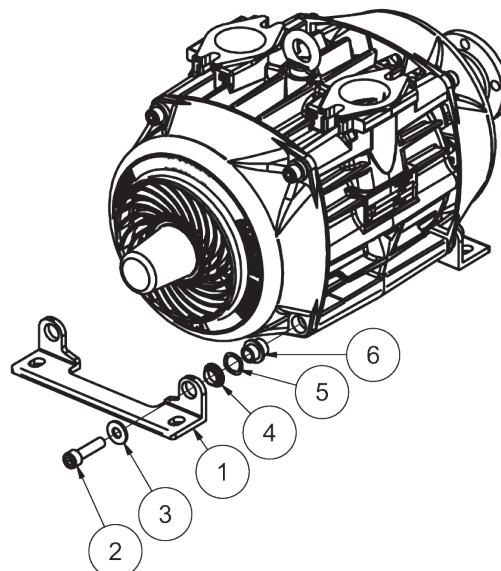


Figure 3. Foot mounting details

47815111 A

3

Installation



Caution

Only lift/support the machine using the main body and not the plastic cowls.

3.3 Lifting

The weight of the compressor without ancillaries is 42 kg and we recommend that the machine is lifted with the eyebolt supplied. Alternatively the machine must be supported/lifted under the main body and not by the plastic cowls

Any equipment used for lifting the machine should be rated accordingly.

3.4 Mounting orientations

The SV205 can be installed on any of the 4 mounting faces shown below and can be driven in both rotations by using either end of the input shaft.

The machine has the inlet and discharge flanges on the same face to simplify connection and routing of pipe work.

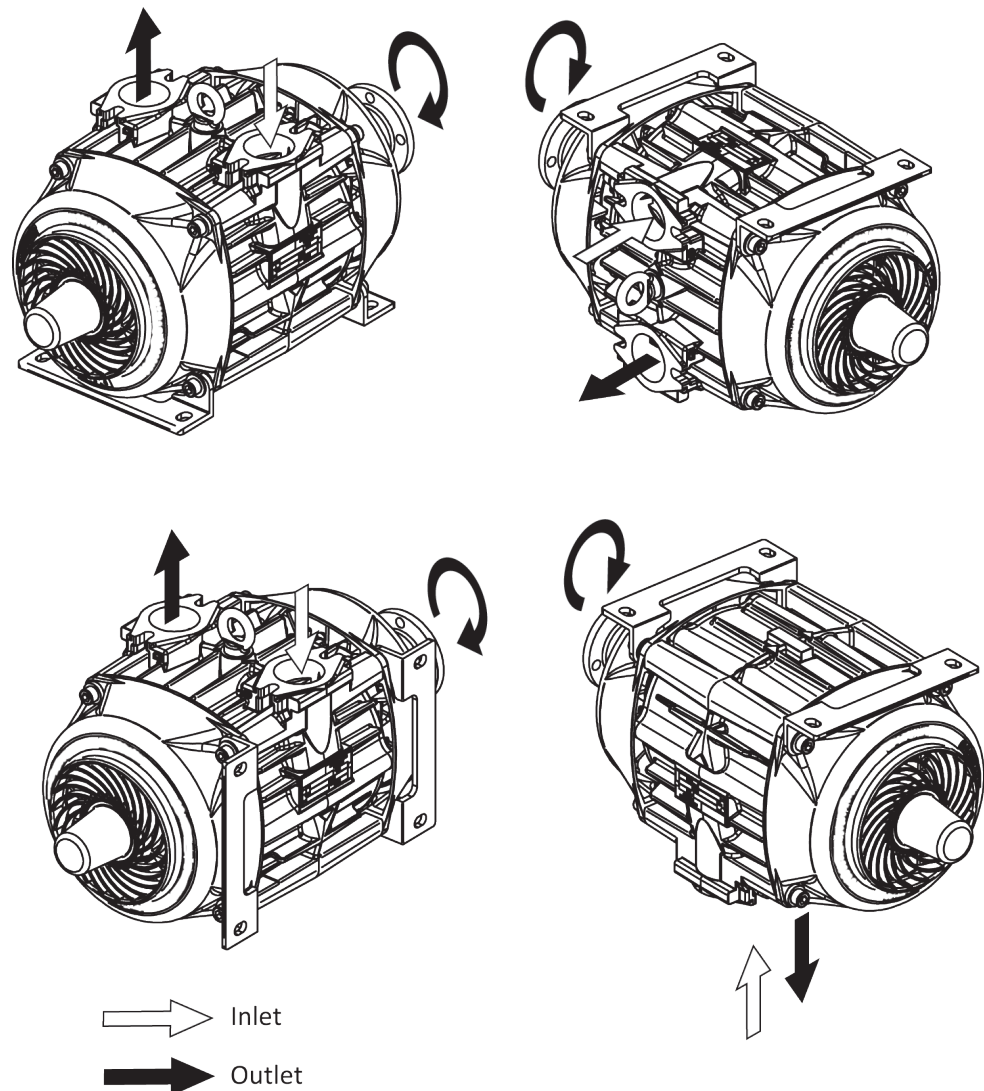


Figure 4. Mounting & Drive options

3.5 Lubrication

The SV205 is supplied complete with sealed greased bearings. Bearing re-lubrication should be conducted in combination with the vane replacement procedure. See service instructions for further details.

47815111 A

3

Installation

3.6 PTO and prop. shaft drive alignment

Note

The machine rotor must always rotate in the same direction, but the opposite input drive rotation can be achieved by driving the rotor from the other end of the machine.

Changing the machine rotation

The current direction of input rotation is indicated by cast arrows on the compressor body. Changing rotation is a simple process of swapping over the plastic cowls, key & drive flange as shown in the diagram below.

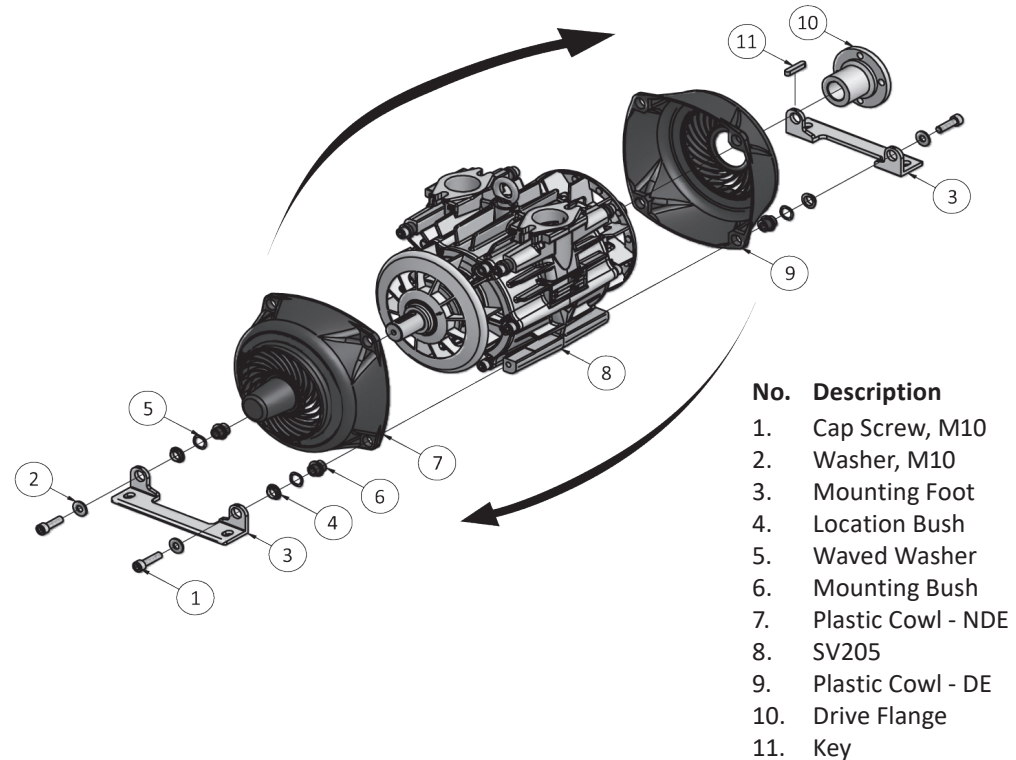


Figure 5. Changing Rotation

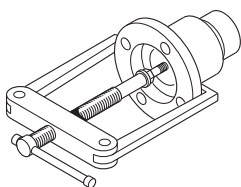


Figure 6.
Drive Flange Removal

Fitting the drive flange

Standard drive flanges (and fasteners) are supplied with all new packages to fit either end of the rotor shaft.

It is important to use an OEM supplied flange to ensure the correct shaft fit & prevent damage to the machine during installation.

Before fitting, the shaft and flange should be clean and damage free to ensure it fits correctly.

Both the shaft and coupling bore should be smeared with a light oil during assembly to aid future separation.

A Hollow Set Screw (Grub Screw) should be used for retaining the drive flange, in position on the shaft.

Apply Loctite 270 to the Grub Screw and tighten to a torque of 7.2Nm.

A puller type device will be required to remove the flange (see Fig. 6) to help avoid damaging the shaft or flange.

3

Installation

3.7 Machine and PTO Alignment

The drive axis on the majority of PTO's is at 3 - 5° to the horizontal, which reflects the angle of the engine and gearbox.

Note

The compressor should be mounted so that its drive axis is parallel to the PTO's drive axis (within 1 degree) - see fig 7.

Also check the prop shaft manufacturers information for the permitted installed angle.

The compressor should also be mounted so that the prop. shaft angle between the PTO and SV205 in any plane (including compound angles) is less than or equal to 12°.

Consideration should be given to the prop. shaft length when mounting the machine and the prop. shaft should be sized so that it always has sliding clearance.

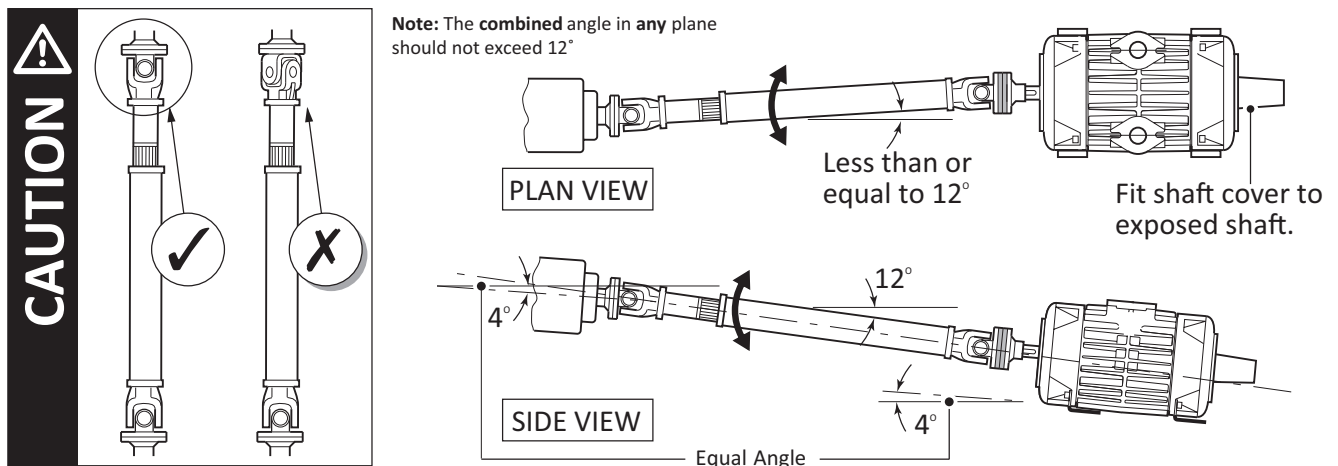


Figure 7. Drive Alignment

3.8 Pipe work - Figures 1 & 8 show typical pipe work layouts

Standard inlet

A flexible inlet pipe, inlet filter, machine inlet flange and gasket are all provided in the inlet induction kit.

Fabricated pipework

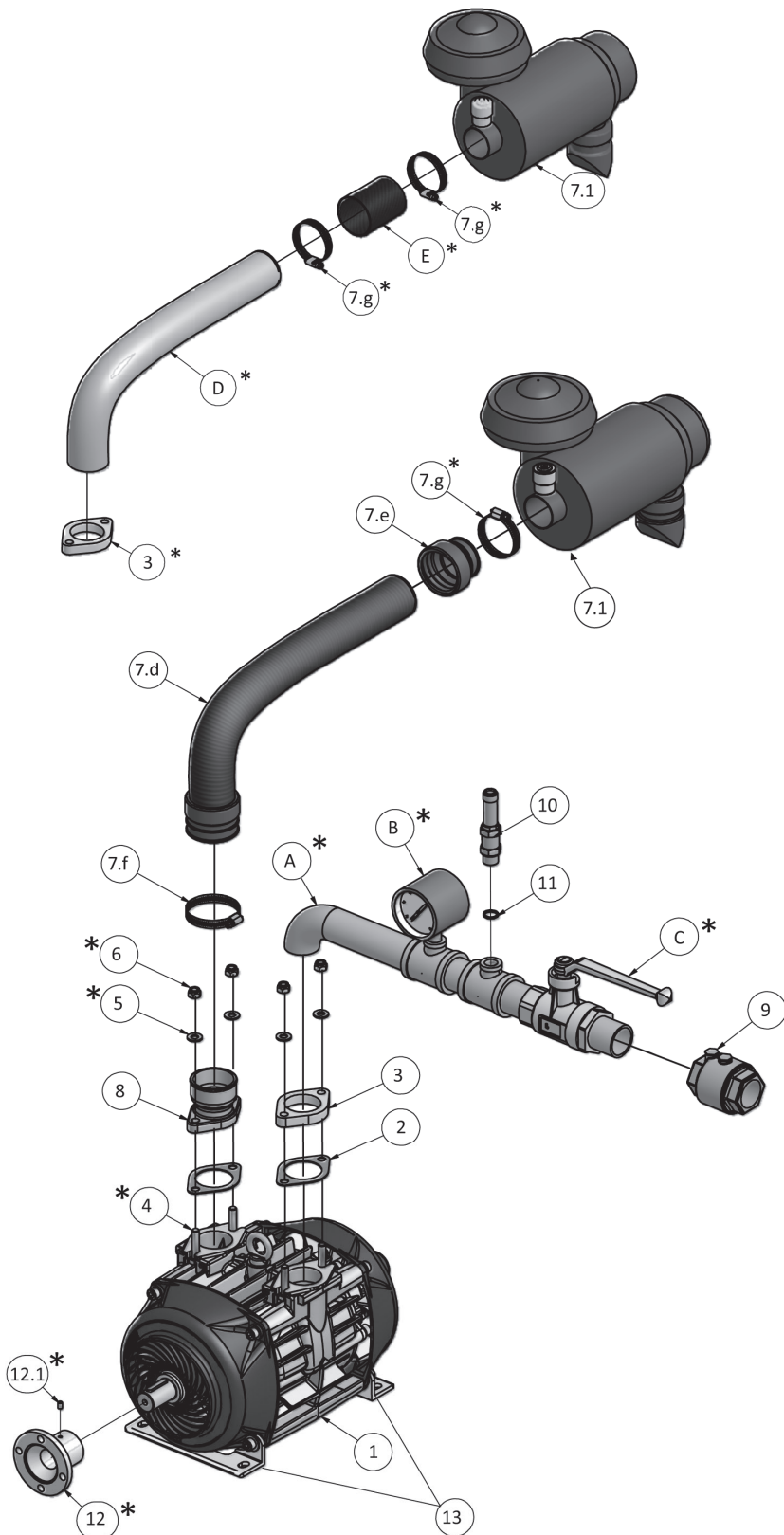
Where any pipe work is to be fabricated, the following points should be followed/noted to prevent damage to the machine:

- A stainless steel slip-on-weld flange is provided with the machine for use with 38mm (1.5") nominal bore pipe work.
- Inlet pipe work should be made in stainless steel or thick wall aluminium to help prevent corroded particles entering the machine.
- Outlet pipe work can be fabricated from any material (including mild steel) to suit the application, although stainless steel is recommended.
- All fabricated pipe work should be carefully de-scaled/cleaned before commissioning the compressor.
- Pipe work should be attached to the vehicle chassis using flexible mountings to prevent unnecessary vibration, expansion stress, noise transfer and avoid distorting the machine body.
- A flexible element is recommended in the discharge pipe work (and inlet pipe work when necessary) to absorb any pipework distortion created through chassis movement and heat expansion.
- All inlet and discharge pipe work should be as free from bends as possible to minimise pressure drops. This allows the machine to work in the best inlet conditions and provide the maximum discharge pressure.

47815111 A

3

Installation



Ref.	Qty	Description
1	1	SV205 CW BASIC MACHINE
2	2	OVAL GASKET
3	1	DISCHARGE OVAL FLANGE, WELD IN STAINLESS STEEL
4	4	* STUD
5	4	* WASHER
6	4	* NUT
7	1	INLET FILTER AND KIT Consisting of:
7.1	1	INLET FILTER consisting of
7.1.a	1	RAINCAP
7.1.b	1	MOUNTING BAND
7.1.c	1	INDICATOR
7.2	1	FILTER KIT consisting of
7.d	1	DUCT & MOULDED CUFF
7.e	1	SCREW ON CUFF
7.f	1	HOSE CLIP 60/80
7.g	1	HOSE CLAMP 50/7
8	1	INLET FLANGE
9	1	NON RETURN VALVE - 1.5" BSP FEMALE BUSHED
10	1	RELIEF VALVE 1/2" BSP 2.5 BAR(G) (36 PSI)
11	1	WASHER JOINT 1/2"
12	1	* COMPANION FLANGE
12.1	1	* COMPANION FLANGE FIXING SCREW
13	1	MOUNTING FEET
*	N/A	NOT INCLUDED WITHIN STD PACKAGE 1
CUSTOMER / INSTALLER OWN SUPPLY		
A		DISCHARGE LINE
B		PRESSURE GAUGE
C		BALL VALVE
D		ALTERNATIVE HARD INLET
E		FLEXIBLE CONNECTOR

Note! - Anti-Clockwise drive shown

Figure 8. General Arrangement

47815111 A

3

Installation

3.9 Ancillaries

Note

Do not mount the machine close to exhausts or other warm air sources and locate in a position clear from vehicle road spray.

Air Inlet Filter and Flexible Induction Kit. (Fig 8, items 7)

The inlet filter is necessary to clean the air entering the machine to prevent problems through large particle ingress and long term problems by small particles eroding main bore components.

The filter should be located so that the inlet air is cool, dry and as clean as possible to maximise filter and machine life.

The inlet filter should be supported using the mounting band supplied rather than mounting directly to the suction port.



Caution

Any excess silicone sealant should be removed. Silicone entering the machine can cause damage or failure.

High temperature silicone sealant is recommended to be applied between the flexible inlet hose and cuff inlet during hose fixing.

Note

Relief Valve. (Fig 8, Item 10)

The relief valve is provided to protect the machine against pressures of over 2.5 bar g (36 PSI), and should not be adjusted in any way. As such, adjustment of the relief valve will invalidate the SV205 and relief valve warranty.

The relief valve required to protect the machine is a custom component set to GHH Rand specifications. This valve is only available from GHH Rand and use of any other valve may invalidate warranty.

Note

The relief valve must be the first ancillary in the discharge line and must be fitted as close as possible, but must vent away from the machine & operator.

The relief valve is supplied as a separate item (1/2" BSP male thread) and must be installed in the discharge line within 1m of the machine (see Fig. 1).

The ideal mounting orientation is vertical, although the valve will function in any orientation.

Discharge Silencer (not shown)

If one is fitted, it should be located as close to the machine discharge port as possible, **after** the relief valve.

Check (non-return) Valve (Fig 8, Item 9)

This is to prevent a back-flow of air and product (often encountered when stopping compressors whilst the discharge tank is still pressurised) from entering and damaging the compressor. It should be mounted as the last ancillary in the discharge line.

Expansion Joints (not shown)

Any pipe work or equipment should incorporate flexible elements where:

- Movement due to thermal expansion is likely.
- Pipe work crosses the vehicle chassis.

Discharge Filter (Fig 1, Item 7)

For food or other highly sensitive products, we recommend that a fine gauge discharge filter is used (5 micron nominal rating recommended) and we offer our own unit shown in the diagram (Figure 1).

Note

Failure to fit a Ball Valve could cause failure due to high shaft torque or product blow-back.

Ball Valve (Fig 8, Item C)

A 1" manual ball valve should be fitted on the discharge side of the machine, before the check valve, to prevent starting the compressor against a pressurised tank/line. This allows venting of the compressor discharge air to atmosphere during start-up.

47815111 A

4

Operating and Commissioning

4.1 Pre-operating check list

Tick when completed ✓

Flexible and welded pipe bores etc cleaned after fabrication.	
All flanges, fasteners and mountings secure.	
Vehicle PTO disengaged.	
Engine management system set-up correctly for the application.	
Blow (ball) valve open (if starting against a tank pressure).	
Commissioning/testing 1.5 - 2" gate valve and silencer fitted.	
Discharge pressure gauge fitted (0-3 bar g).	
Ancillaries correctly fitted and sequenced as per instructions.	



Caution

Tests show noise levels fall between 84-90 dB(A) at 1 metre and ear protection is recommended for long periods of exposure.



Caution

Never start the compressor against a pressurised tank or discharge line.

Max. Inlet Depression

50mbar under all circumstances.

Max. Discharge Pressure

2.5 bar g (36 psi)



Caution

Pipework will become HOT during test/running.

4.2 Test and operating procedure

Tick when completed ✓

1	Check that the gate valve on the discharge pipework is open.	
2	Start the engine and engage the PTO. Check the direction of rotation of the compressor.	
3	Then set the motor speed so that the compressor is driven at the operating speed of the application. Note that the input speed range of the compressor is 1000-1600 rpm.	
4	Check that the inlet blockage indicator does not indicate (show red) a blocked filter/inlet pipe work (see inlet filter section).	
5	Whilst the compressor is operating, check the pipe work for leaks. Stop the machine and tighten fasteners if necessary.	
6	Partially close the gate valve to raise the discharge pressure to 0.2 bar below the relief valve full bypass setting (stamped on relief valve). Check the system for leaks. Stop the machine and tighten fasteners if necessary.	
7	If all is well, continue to run the compressor until the total test time reaches 30 minutes. Re-check for air leaks.	
8	Slowly increase the pressure beyond the stamped setting (on valve) to operate the relief valve.	
	The relief valve should crack (begin to lift/open/blow off) within 10% below the set pressure. Slight leakage prior to cracking is permitted at up to 0.5 bar g below the set pressure.	
	The relief valve should then fully open (full bypass) within 150mbar of the set pressure.	
9	Slowly reduce the pressure until the relief valve re-seats (should be before 0.5 bar g (7 psi) under the full bypass pressure).	
10	Check that all fastenings are still tight and flanges are leak free.	
11	Return the engine speed to tick over, disengage the PTO, and then stop the engine.	
12	Remove any test apparatus, disconnect discharge hose and fit a blanking cap.	

4

Operating and Commissioning

4.3 SV205 Driver training

Driver training should be given whenever possible and should include:-

Safety

Instruct the driver regarding:

- Rotating parts
- Hot Pipework
- Pressure Relief valve
- Safety couplings

Operation

Instruct the driver regarding:

- Speed range
- Maximum operating pressure
- PTO engagement
- Unloading valve

Routine Maintenance

Instruct the driver regarding:

- Air filter - cleaning
- Pipe connections - checking
- Mounting fasteners - checking
- Relief valve function
- Check valve function

5

Maintenance


5.1 Schedule

Note

The compressor can be carefully cleaned with steam or water jets, but only when the machine is cold as serious damage could result.

Note

The relief valve should be operated every month to clear the valve seat and check the valve is functional.

(Ear protection  is recommended).

Note

If the maximum pressure reading is higher than the set pressure by more than 0.2 bar, stop the test and replace the relief valve before running the compressor again.

Note

New gaskets may be required when inspecting the check valve.

Daily	<ul style="list-style-type: none">• Monitor the inlet filter blockage indicator.
Weekly	<ul style="list-style-type: none">• Clean the fans, fan covers and body ribs.• Check air filter and pipe work for leaks. <p>Where the compressor is mounted on a vehicle and located outside, should be operated for at least 15 minutes each week (twice a week in damp/cool conditions).</p>
Monthly	<ul style="list-style-type: none">• Check Function of Relief and Check (non-return) Valve.• Check inlet and discharge pipe work for leaks.
3 Monthly	<ul style="list-style-type: none">• Clean filter carcass and element - Air Filter element and carcass - replace if necessary.• Check security of compressor feet fixing bolts to both machine and chassis. Tighten if necessary (M10 bolts - torque to 35 Nm).
6 Monthly	<ul style="list-style-type: none">• Check blade wear.
Annually	<ul style="list-style-type: none">• Replace Air Filter Element• Examine the internals of the check valve.• Examine pipes, silencers and pipework fixings for corrosion and replace as required.

Tamperproof lead seals have been fitted into the cap screw heads on each sideplate. Removal of these seals during the warranty period will invalidate the warranty.

5.2 Checking the relief valve operation

Check the relief valve operation as detailed in section 4 and visually check for any sign of obvious defects.

5.3 Inspecting the check (non-return) valve

The check (non-return) valve should be removed and visually checked for signs of wear. If in any doubt, replace the entire valve.

5.4 Silencers/Pipe work

Silencers (if fitted) and pipework should be inspected for signs of damage or corrosion. When paintwork is damaged, clean off any corrosion and treat with rust inhibitor before repainting. Use paints that can withstand temperatures of 240°C.

5.5 Lubrication

The bearings are packed with grease on assembly and need no regular attention.

See separate service instructions for machine overhaul & Regreasing.

5

Maintenance

5.6 Air inlet filter

The blockage indicator is designed to show/hold the maximum inlet blockage encountered. It is set to show 100% blockage when the inlet depression reaches 50mbar.

If the indicator valve has entered the red portion of the scale (when the compressor is operating), the filter must be cleaned or replaced by employing one or both of the following processes:

Remove accumulated filter debris (machine not running)

1. Pull back the clips retaining the air inlet filter end cap and remove the end cap.
2. Empty out any dust or dirt and clean out the main filter cavity. Replace the end cap the correct way up and re-clip in position.

Clean the filter element

To clean the filter element (machine not running):

1. Remove the air filter end cap (as described in the previous section).
2. Withdraw the filter from the filter body.
3. Clean the filter by blowing compressed air through the inside of the element.
4. Element replacement is a direct reversal of the above.

Filter elements should be replaced every 12 months or sooner if cleaning does not return the blockage indicator to the unblocked condition.

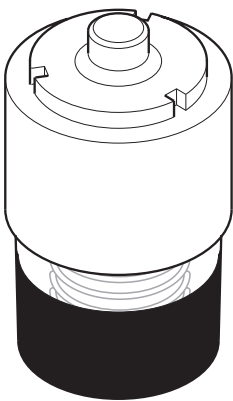


Figure 10.
Blockage Indicator

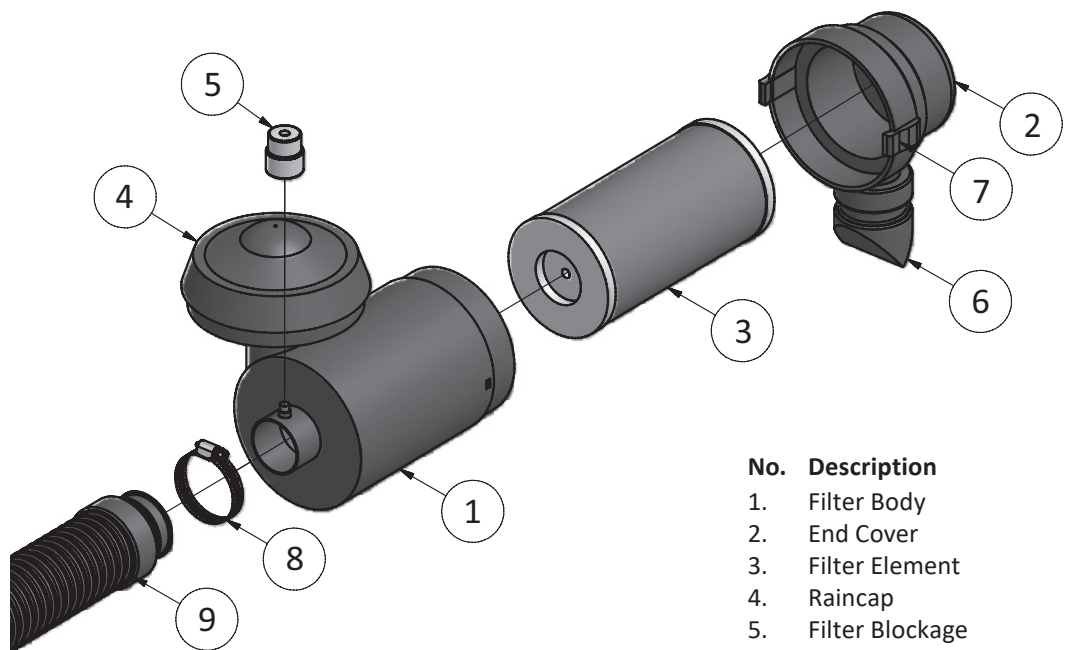


Figure 9. Replacing Air Filter

No.	Description
1.	Filter Body
2.	End Cover
3.	Filter Element
4.	Raincap
5.	Filter Blockage (Condition) Indicator
6.	Vacuator Valve
7.	Retaining Clips
8.	Hose Clamp
9.	Inlet Hose & Cuff

5

Maintenance

Note

Failure to replace the blades in line with the recommendations will eventually result in machine failure. Late blade change can permanently damage the machine so that future blade life is reduced.

5.7 Checking the blade wear

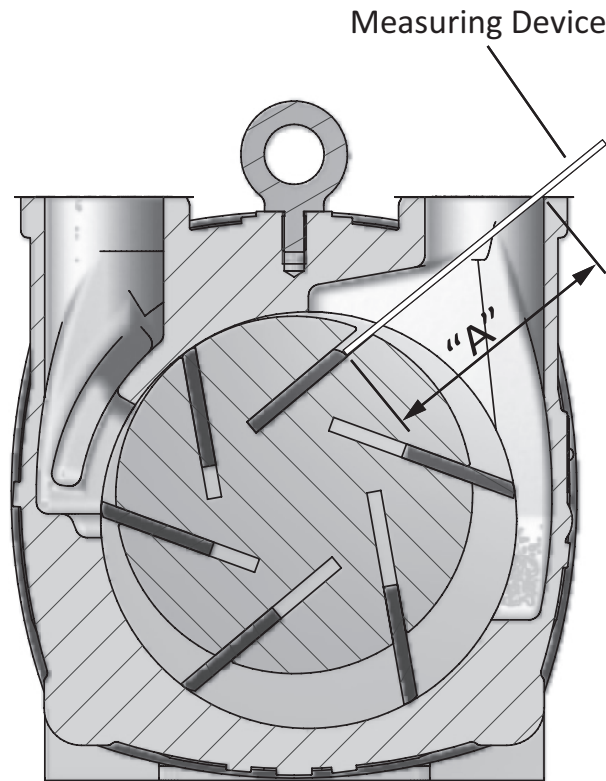
Using the drawing (fig 11) below, check the blade wear as follows:

1. Remove the pipework from the suction port.
2. Turn the rotor, in the direction of rotation, until one of the blade slots can be seen through the port.
3. Push the blade down to the bottom of the slot and measure, parallel to the slot, the distance from the blade to the top edge of the port (dimension 'A' shown below) using a vernier caliper or other suitable device.
4. The performance of the machine will begin to deteriorate when this measurement reaches 100 mm (i.e. blade width is 55mm).
5. Once the measurement has reached 100mm the blades must be replaced.

Refer to separate service instruction manual for further details on blade replacement.

Note

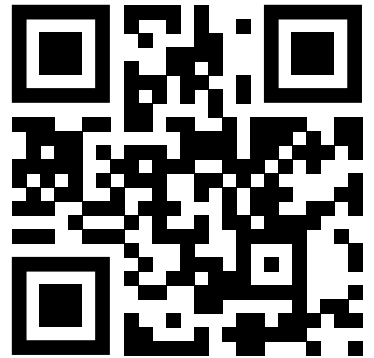
When carrying out the measurement ensure that the measuring device is parallel with the vane slot when resting on the edge of the suction port. This will ensure that the dimension taken is as accurate as possible.



Replace Blades When
"A" = 100mm.

Figure 11. Checking Blade Wear

GHH RAND®



HEAD OFFICE

Max-Planck-Ring 27
46049 Oberhausen
Germany

Telephone: +49 (0)208.9994-0
Fax: +49 (0)208.9994-179

