

# LUBETECH

## L SERIES PUMPS

ENGINEERING DATA PACK



**IR** Ingersoll Rand®

## TABLE OF CONTENTS

L Series Model Number System.....	3
000, 00, 0, 1, & 2LE Pump Mounting Dimensions .....	4
5LE Pump Mounting Dimensions.....	5
Dimensions for 000LE-2LE Close Coupled to a 48 Frame 1 Phase Motor.....	6
Dimensions for 000LE-2LE Close Coupled to a 56 Frame 1 Phase Motor.....	7
Dimensions for 000LE-2LE Close Coupled to a 48 Frame 3 Phase Motor.....	8
Dimensions for 2LE Close Coupled to a 56 Frame 3 Phase Motor.....	9
Dimensions for 5LE Close Coupled to a 56 Frame 1 Phase Motor.....	10
Dimensions for 5LE Close Coupled to a 56 Frame 3 Phase Motor.....	11
Dimensions for 000LE-2LE Adapter Mounted to a 56 Frame 1 & 3 Phase Motor .....	12
Dimensions for 000LE-2LE Adapter Mounted to a 143/145TC Frame 1 & 3 Phase Motor .....	13
Dimensions for 5LE Adapter Mounted to a 56 Frame 1 & 3 Phase Motor .....	14
Dimensions for 5LE Adapter Mounted to a 143/145TC Frame 1 & 3 Phase Motor .....	14
Temperature Limits .....	15
L Series Materials of Construction .....	16
L Cartridge Pump Materials of Construction .....	16
Cartridge Pump Model Number System .....	17
Cartridge Pump NPSH Data Viscosity .....	17
00LFD, 0LFD, 1LFD, 00RFD, 0RFD, & 1RFD Pump Mounting Dimensions.....	18
2LFD & 2RFD Pump Mounting Dimensions .....	19



## L SERIES MODEL NUMBER SYSTEM

POSITION	SIZE		FEATURE	MODEL			PUMP OPTIONS	ROTATION		MODIFICATION	SAE PORT OPTIONS		
	1	2		3	4	5		6	7		8	9	10

### POS. 1 & 2 - SIZE

000  
00  
0  
1  
2  
5

### POS. 3 - REVERSING FEATURE

R = Reversing  
(Not Available for 000 or 5 Size)

### POS. 4, 5, & 6 - MODEL

LE

### POS. 7 - PUMP OPTIONS

D = Carbon Bushings  
K = Outboard Ball Bearing  
U = Cover Rotated 180°  
V\* = Valve  
\*Not Available on 000LE or 5LE Size

### POS. 8 & 9 - ROTATION (VALVED MODELS)

C = Clockwise Rotation  
CC = Counterclockwise Rotation

### POS. 8 & 9 - SUCTION PORT LOCATION (REVERSING FEATURE MODELS)

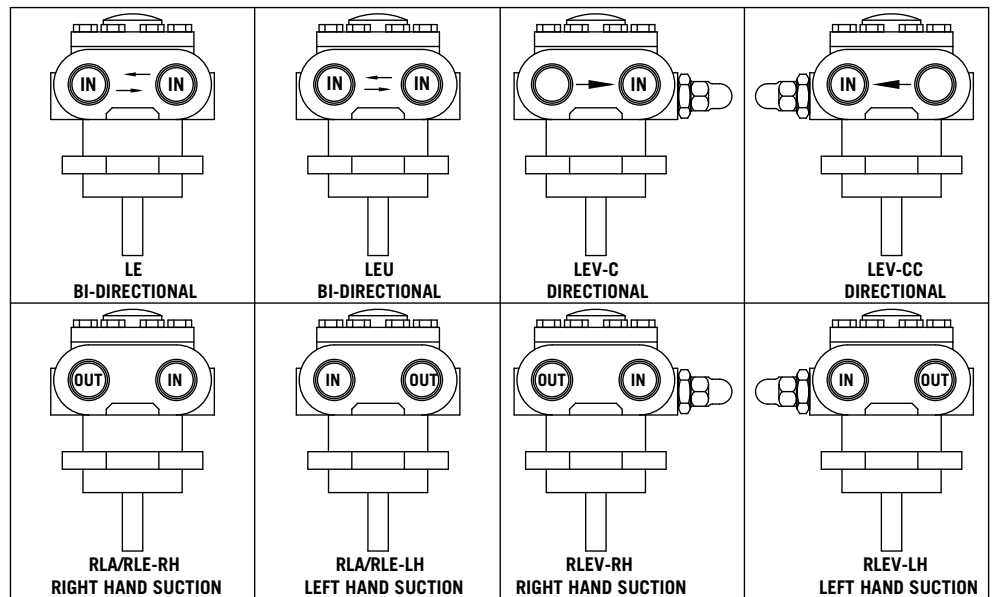
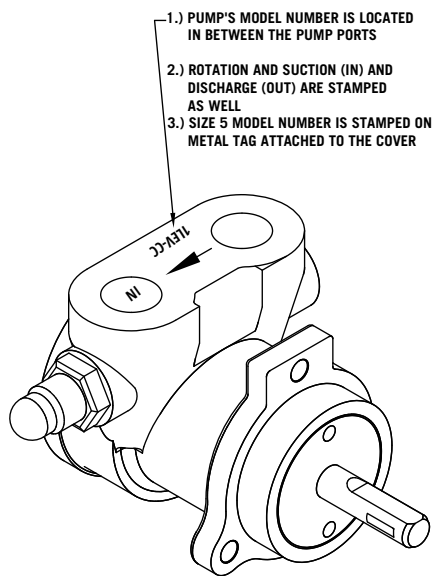
RH = Right Hand Suction  
LH = Left Hand Suction

### POS. 10 - MODIFICATION

5 = Neoprene Seal  
7 = Viton Seal  
8 = EPR Seal  
A = Tang Shaft  
N = No Flat/Keyway in Shaft

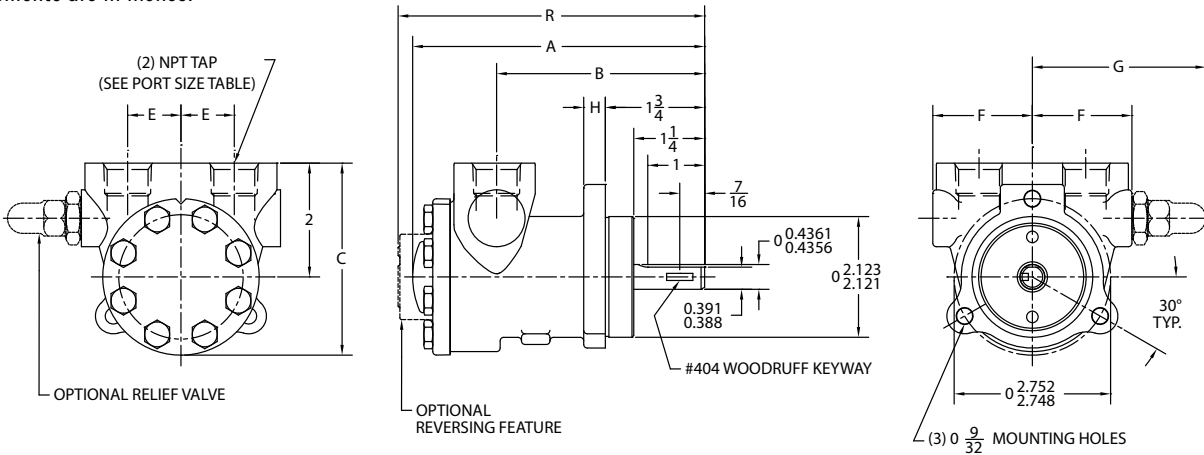
### POS. 11, 12, 13, & 14 - SAE OPTION

SAE8  
(NPT is Standard)



# 000, 00, 0, 1, & 2LE PUMP MOUNTING DIMENSIONS

All measurements are in inches.



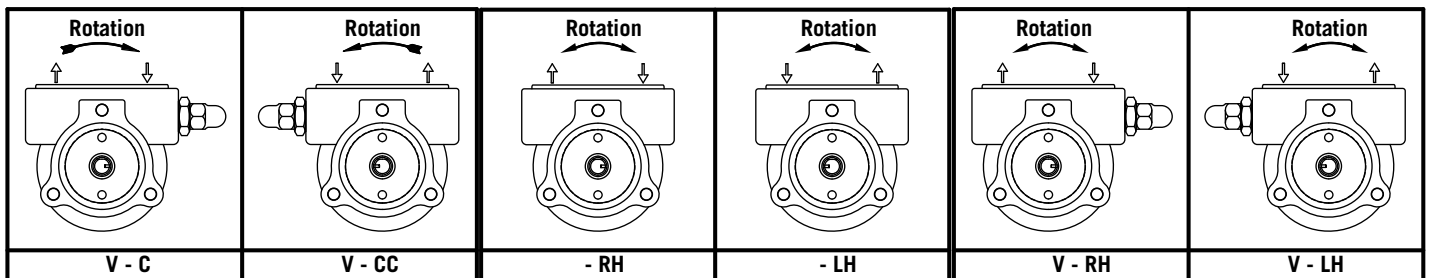
## MOUNTING DIMENSIONS

PUMP MODEL		OVERALL LENGTH							
Bi-Rotational	Reversing	Bi-Rot (A)	Rev (R)	B	C	E	F	G	H
000LE		4-15/16"		3-15/32"	3-15/32"	15/16"	1-23/32"	3-3/32"	5/16"
00LE	00RLE	4-15/16"	5-3/16"	3-15/32"	3-15/32"	15/16"	1-29/32"	3-3/32"	3/8"
0LE	0RLE	4-15/16"	5-3/16"	3-15/32"	3-15/32"	15/16"	1-29/32"	3-3/32"	3/8"
1LE		5-3/32"		3-5/8"	3-5/16"	15/16"	1-3/4"	1-3/8"	3/8"
	1RLE		5-1/4"	3-17/32"	3-5/16"	15/16"	1-3/4"	1-3/8"	3/8"
2 LE	2RLE	5-15/16"	6-1/16"	4-7/16"	3-5/8"	15/16"	1-7/8"	1-3/8"	3/8"

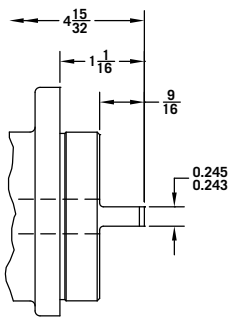
### RELIEF VALVE & REVERSING FEATURE

### REVERSING FEATURE

### RELIEF VALVE & REVERSING FEATURE



## SHAFT END VIEW



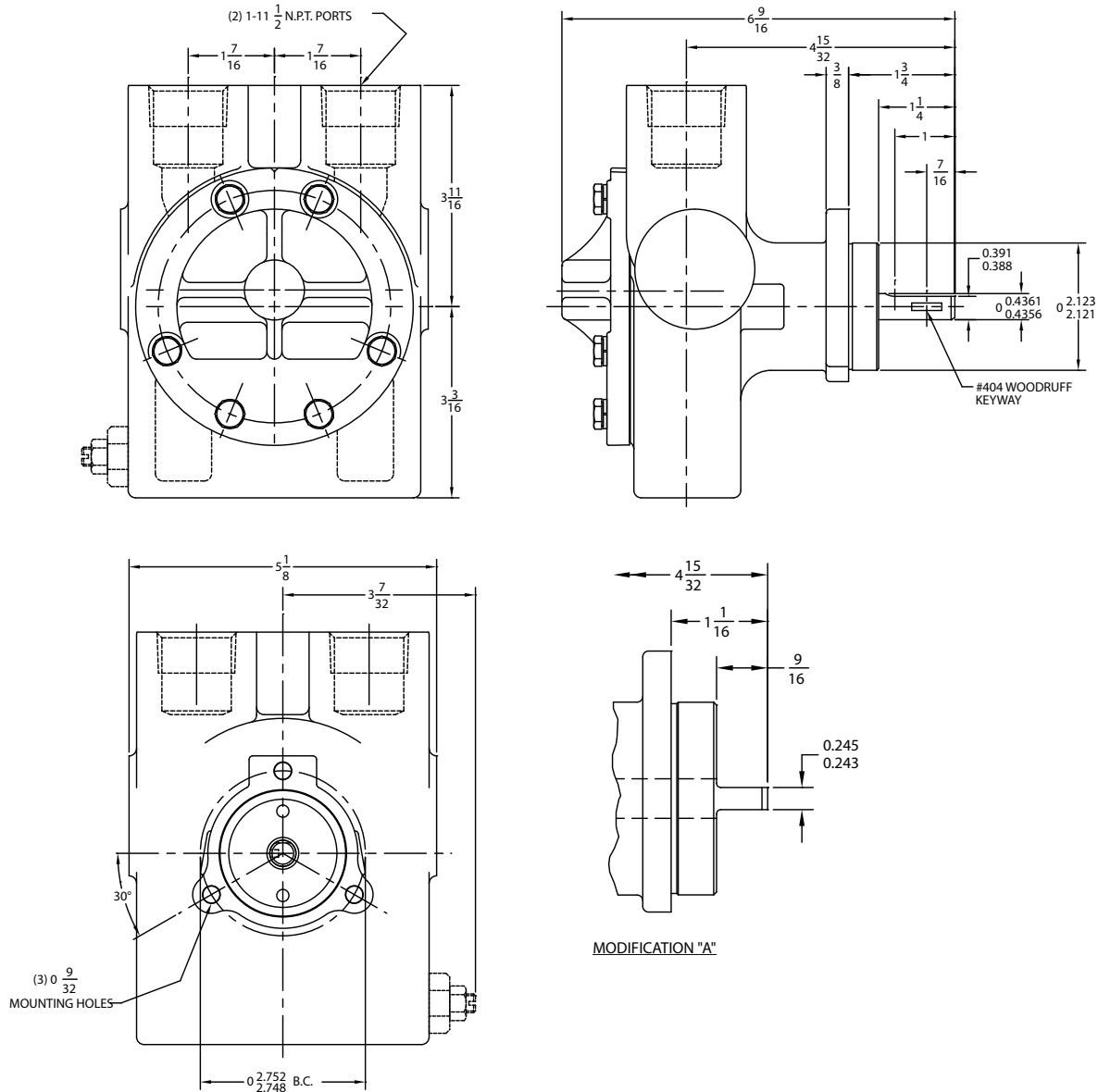
MODIFICATION "A"

	PUMP MODEL				
Port Size	000LE	00LE/00RLE	0LE/0RLE	1LE/1RLE	2LE/2RLE
3/8" - 18 NPT	Standard				
1/2" - 14 NPT		Standard	Standard	Standard	Standard
3/4" - 16 UNF (SAE 8)		Optional	Optional	Optional	Optional

NOTE: In conjunction with our program of continuous testing and design upgrading, all specifications are subject to change without notice. All data is approximate. Request a quotation for your specific application.

# 5LE PUMP MOUNTING DIMENSIONS

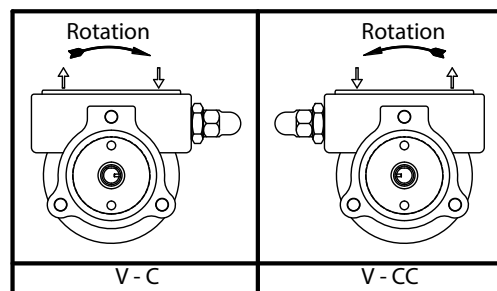
All measurements are in inches.



# FLANGED PORT DIMENSIONS

PORT TYPES	
PORT TYPES	AVAILABILITY
1" - 11-1/2 NPT	Standard
1-5/16" - 12 UNF (SEA 8)	Optional

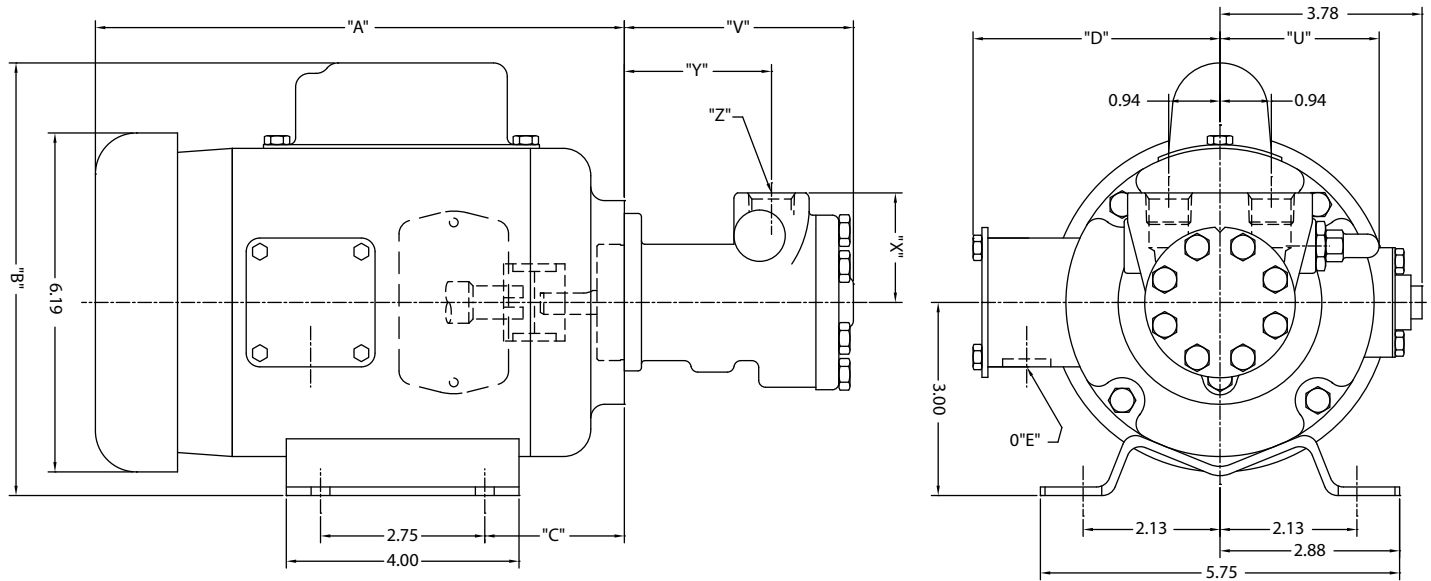
## RELIEF VALVE & REVERSING FEATURE



**NOTE:** In conjunction with our program of continuous testing and design upgrading, all specifications are subject to change without notice. All data is approximate. Request a quotation for your specific application.

# DIMENSIONS FOR 000LE-2LE CLOSE COUPLED TO A 48 FRAME 1 PHASE MOTOR

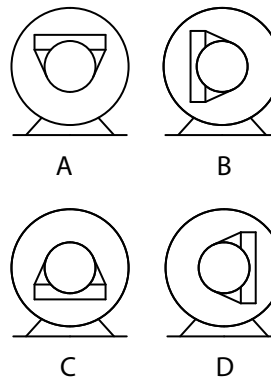
All measurements are in inches.



Model #	HP	Description	"A"	"B"	"C"	"D"	"E"	WT (LBS)
88514	1/4	1/60/115/230 VOLT, 1725 RPM, TEFC, 48YZ FRAME	9.60"	7.41"	2.50"	4.51"	0.88"	23
88600	1/4	1/60/115/230 VOLT, 1725 RPM, XPFC, 48YZ FRAME	12.95"	5.84"	4.11"	6.50"	0.50"	38
88513	1/3	1/60/115/230 VOLT, 1725 RPM, TEFC, 48YZ FRAME	9.60"	7.41"	2.50"	4.51"	0.88"	26
88516	1/2	1/60/115/230 VOLT, 1725 RPM, TEFC, 48YZ FRAME	9.60"	7.41"	2.50"	4.51"	0.88"	29

Model #	"U"	"V"	"X"	"Y"	"Z" - NPT
000LE	3-3/32"	3-13/32"	1-11/16"	2-3/32"	3/8" - 18
00LE	3-3/32"	3-3/16"	2"	1-23/32"	1/2" - 14
0LE	3-3/32"	3-3/16"	2"	1-23/32"	1/2" - 14
1LE	3-1/8"	3-11/32"	2"	1-7/8"	1/2" - 14
2LE	3-1/8"	4-3/16"	2"	2-11/16"	1/2" - 14

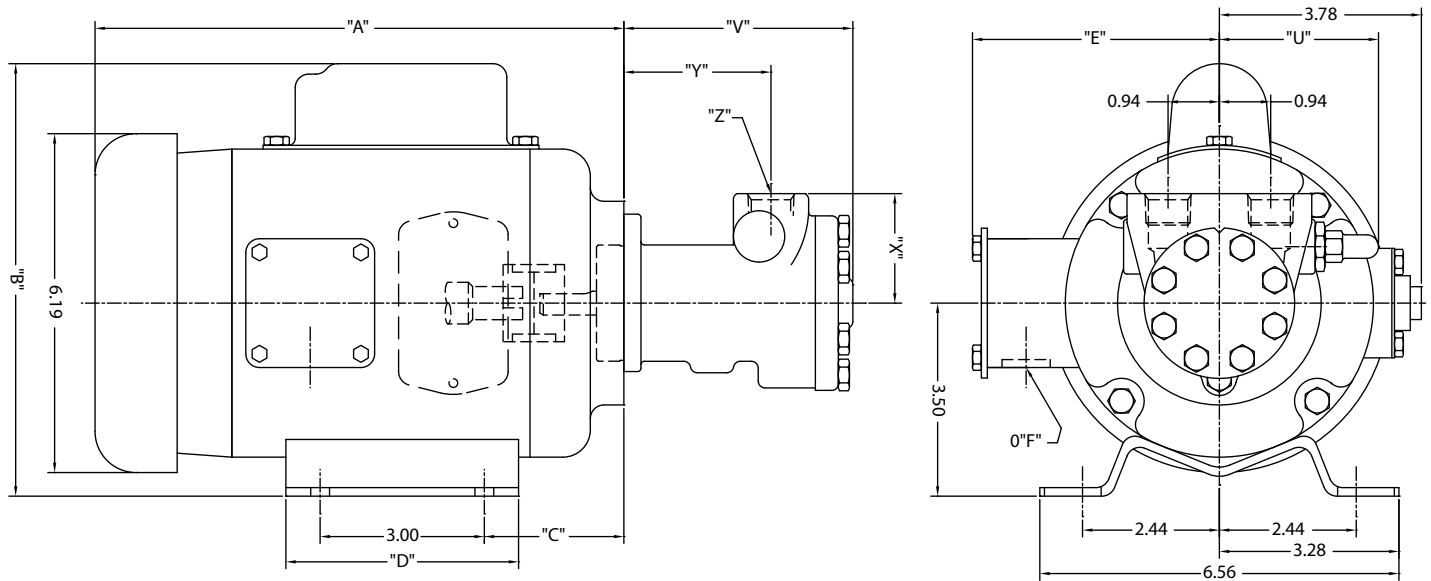
### ASSEMBLY STYLES



**NOTE:** In conjunction with our program of continuous testing and design upgrading, all specifications are subject to change without notice. All data is approximate. Request a quotation for your specific application.

# DIMENSIONS FOR 000LE-2LE CLOSE COUPLED TO A 56 FRAME 1 PHASE MOTOR

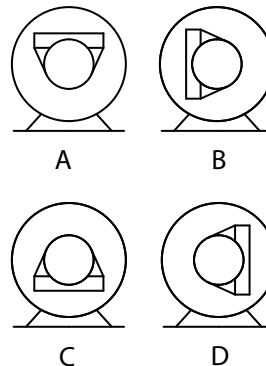
All measurements are in inches.



Model #	HP	Description	"A"	"B"	"C"	"D"	"E"	"F"	WT (LBS)
88494	1/2	1/60/115/230 VOLT, 1725 RPM, TEFC, 56YZ FRAME	9.65"	7.90"	2.75"	4.00"	4.90"	0.88"	33
88601	1/2	1/60/115/230 VOLT, 1725 RPM, XPFC, 56YZ FRAME	13.96"	6.60"	4.36"	4.25"	6.50"	0.50"	44
88602	3/4	1/60/115/230 VOLT, 1725 RPM, TEFC, 56YZ FRAME	11.78"	8.68"	2.75"	4.25"	4.51"	0.88"	36

Model #	"U"	"V"	"X"	"Y"	"Z" - NPT
000LE	2-15/16"	3-13/32"	1-11/16"	2-3/32"	3/8" - 18
00LE	2-7/8"	3-3/16"	2"	1-23/32"	1/2" - 14
0LE	2-7/8"	3-3/16"	2"	1-23/32"	1/2" - 14
1LE	2-7/8"	3-11/32"	2"	1-7/8"	1/2" - 14
2LE	3-1/32"	4-3/16"	2"	2-11/16"	1/2" - 14

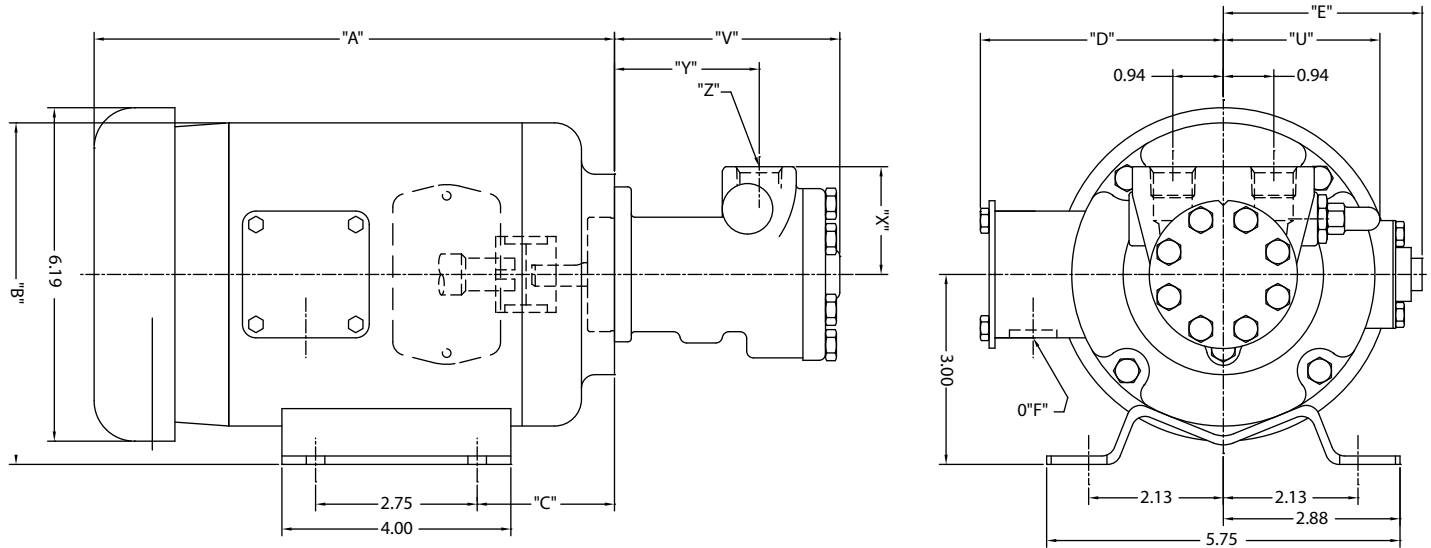
### ASSEMBLY STYLES



**NOTE:** In conjunction with our program of continuous testing and design upgrading, all specifications are subject to change without notice. All data is approximate. Request a quotation for your specific application.

# DIMENSIONS FOR 000LE-2LE CLOSE COUPLED TO A 48 FRAME 3 PHASE MOTOR

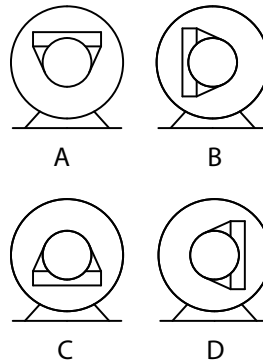
All measurements are in inches.



Model #	HP	Description	"A"	"B"	"C"	"D"	"E"	"F"	WT (LBS)
88515	1/4	3PH/50/60/190-220/380-440 VOLT, 208-230/460 VOLT, 1425/1725 RPM, TEFC, 48YZ FRAME	9.10"	5.84"	2.50"	4.90"	3.78"	0.88"	33
88603	1/4	3PH/50/60/190-220/380-440 VOLT, 208-230/460 VOLT, 1425/1725 RPM, XPFC, 48YZ FRAME	12.95"	6.10"	4.11"	6.50"	-	0.50"	33
88495	1/3	3PH/50/60/190-220/380-440 VOLT, 208-230/460 VOLT, 1425/1725 RPM, TEFC, 48YZ FRAME	9.10"	5.84"	2.50"	4.90"	3.78"	0.88"	33
88519	1/2	3PH/50/60/190-220/380-440 VOLT, 208-230/460 VOLT, 1425/1725 RPM, TEFC, 48YZ FRAME	9.10"	5.84"	2.50"	4.90"	3.78"	0.88"	33

Model #	"U"	"V"	"X"	"Y"	"Z" - NPT
000LE	3-3/32"	3-13/32"	1-11/16"	2-3/32"	3/8" - 18
00LE	3-3/32"	3-3/16"	2"	1-23/32"	1/2" - 14
0LE	3-3/32"	3-3/16"	2"	1-23/32"	1/2" - 14
1LE	3-1/8"	3-11/32"	2"	1-7/8"	1/2" - 14
2LE	3-1/8"	4-3/16"	2"	2-11/16"	1/2" - 14

### ASSEMBLY STYLES

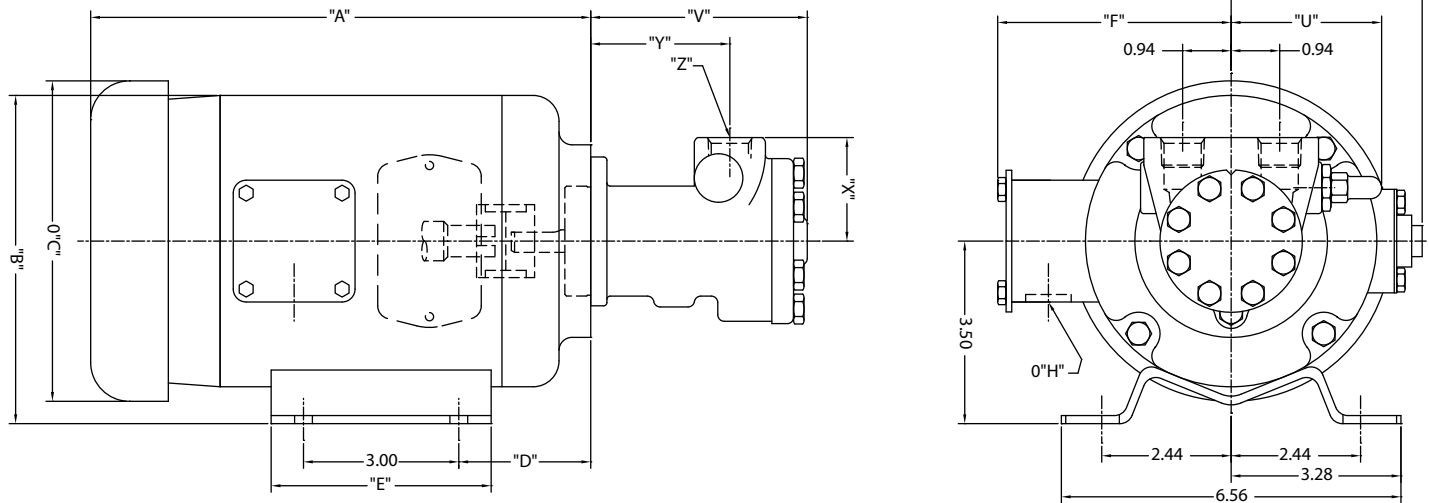


**NOTE:** In conjunction with our program of continuous testing and design upgrading, all specifications are subject to change without notice. All data is approximate. Request a quotation for your specific application.



# DIMENSIONS FOR 2LE CLOSE COUPLED TO A 56 FRAME 3 PHASE MOTOR

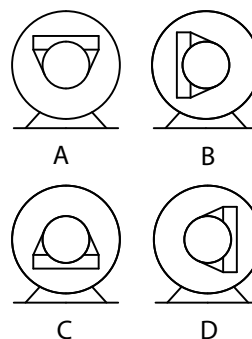
All measurements are in inches.



Model #	HP	Description	"A"	"B"	"C"	"D"	"E"	"F"	"G"	"H"	WT (LBS)
88520	1/2	3PH/50/60/190-220/380-440 VOLT, 208-230/460 VOLT, 1425/1725 RPM, TEFC, 56YZ FRAME	9.78"	6.34"	6.19"	2.75"	4.25"	4.51"	3.69"	0.88"	30
88604	1/2	3PH/50/60/190-220/380-440 VOLT, 208-230/460 VOLT, 1425/1725 RPM, XPFC, 56YZ FRAME	13.96"	6.60"	6.20"	4.36"	4.25"	6.50"	-	0.50"	42
88521	3/4	3PH/50/60/190-220/380-440 VOLT, 208-230/460 VOLT, 1425/1725 RPM, TEFC, 56YZ FRAME	10.36"	6.83"	7.19"	2.84"	4.50"	5.20"	4.19"	0.88"	36
88605	1	3PH/50/60/190-220/380-440 VOLT, 208-230/460 VOLT, 1425/1725 RPM, TEFC, 56YZ FRAME	10.36"	6.83"	7.19"	2.84"	4.50"	5.20"	4.19"	0.88"	36
88606	1-1/2	3PH/50/60/190-220/380-440 VOLT, 208-230/460 VOLT, 1425/1725 RPM, TEFC, 56YZ FRAME	11.36"	6.83"	7.19"	2.84"	4.50"	5.20"	4.19"	0.88"	40

Model #	"U"	"V"	"X"	"Y"	"Z" - NPT
000LE	3-3/32"	3-13/32"	1-11/16"	2-3/32"	3/8" - 18
00LE	3-3/32"	3-3/16"	2"	1-23/32"	1/2" - 14
0LE	3-3/32"	3-3/16"	2"	1-23/32"	1/2" - 14
1LE	3-1/8"	3-11/32"	2"	1-7/8"	1/2" - 14
2LE	3-1/8"	4-3/16"	2"	2-11/16"	1/2" - 14

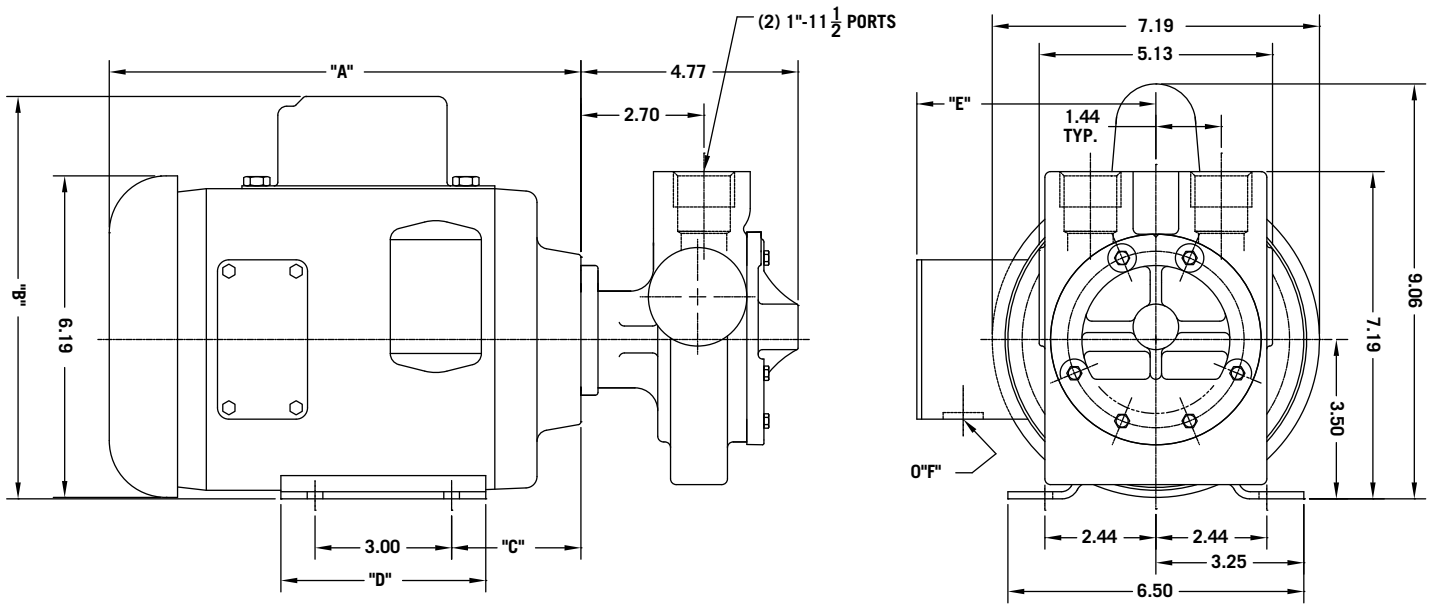
### ASSEMBLY STYLES



**NOTE:** In conjunction with our program of continuous testing and design upgrading, all specifications are subject to change without notice. All data is approximate. Request a quotation for your specific application.

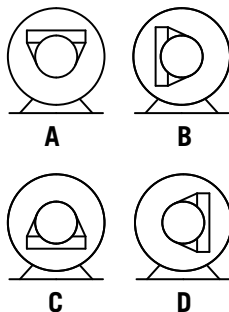
# DIMENSIONS FOR 5LE CLOSE COUPLED TO A 56 FRAME 1 PHASE MOTOR

All measurements are in inches.



Model #	HP	Description	"A"	"B"	"C"	"D"	"E"	"H"	WT (LBS)
88494	1/2	1/60/115/230 VOLT, 1725 RPM, TEFC, 56YZ FRAME	9.65"	7.90"	2.75"	4.00"	4.90"	0.88"	33
88601	1/2	1/60/115/230 VOLT, 1725 RPM, XPFC, 56YZ FRAME	13.96"	6.60"	4.36"	4.25"	6.50"	0.50"	44
88602	3/4	1/60/115/230 VOLT, 1725 RPM, TEFC, 56YZ FRAME	11.78"	8.68"	2.75"	4.25"	4.51"	0.88"	36

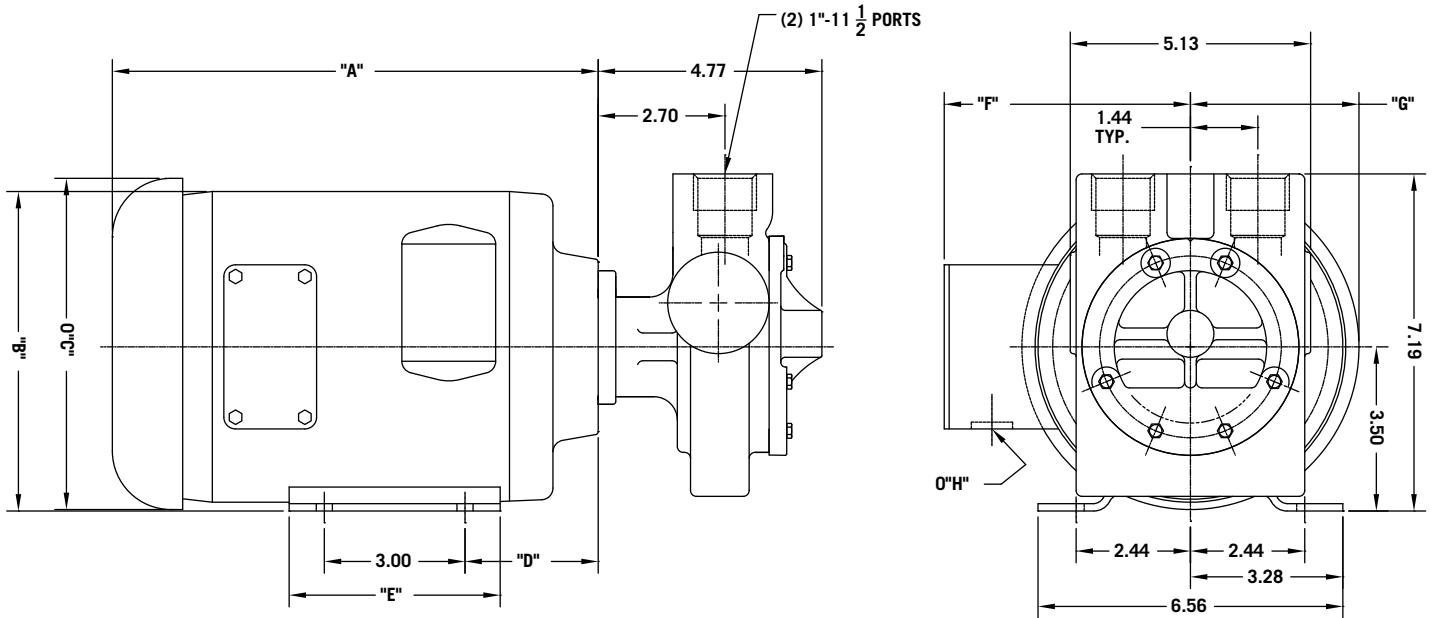
## ASSEMBLY STYLES



**NOTE:** In conjunction with our program of continuous testing and design upgrading, all specifications are subject to change without notice. All data is approximate. Request a quotation for your specific application.

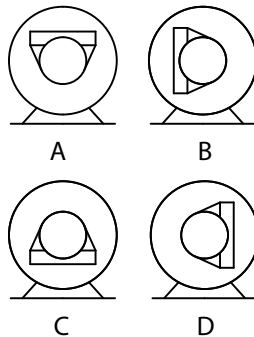
# DIMENSIONS FOR 5LE CLOSE COUPLED TO A 56 FRAME 3 PHASE MOTOR

All measurements are in inches.



Model #	HP	Description	"A"	"B"	"C"	"D"	"E"	"F"	"G"	"H"	WT (LBS)
88520	1/2	3PH/50/60/190-220/380-440 VOLT, 208-230/460 VOLT, 1425/1725 RPM, TEFC, 56YZ FRAME	9.78"	6.34"	6.19"	2.75"	4.25"	4.51"	3.69"	0.88"	30
88604	1/2	3PH/50/60/190-220/380-440 VOLT, 208-230/460 VOLT, 1425/1725 RPM, XPFC, 56YZ FRAME	13.96"	6.60"	6.20"	4.36"	4.25"	6.50"	-	0.50"	42
88521	3/4	3PH/50//60/190-220/380-440 VOLT, 208-230/460 VOLT, 1425/1725 RPM, TEFC, 56YZ FRAME	10.36"	6.83"	7.19"	2.84"	4.50"	5.20"	4.19"	0.88"	36
88605	1	3PH/50/60/190-220/380-440 VOLT, 208-230/460 VOLT, 1425/1725 RPM, TEFC, 56YZ FRAME	10.36"	6.83"	7.19"	2.84"	4.50"	5.20"	4.19"	0.88"	36
88606	1-1/2	3PH/50/60/190-220/380-440 VOLT, 208-230/460 VOLT, 1425/1725 RPM, TEFC, 56YZ FRAME	11.36"	6.83"	7.19"	2.84"	4.50"	5.20"	4.19"	0.88"	40

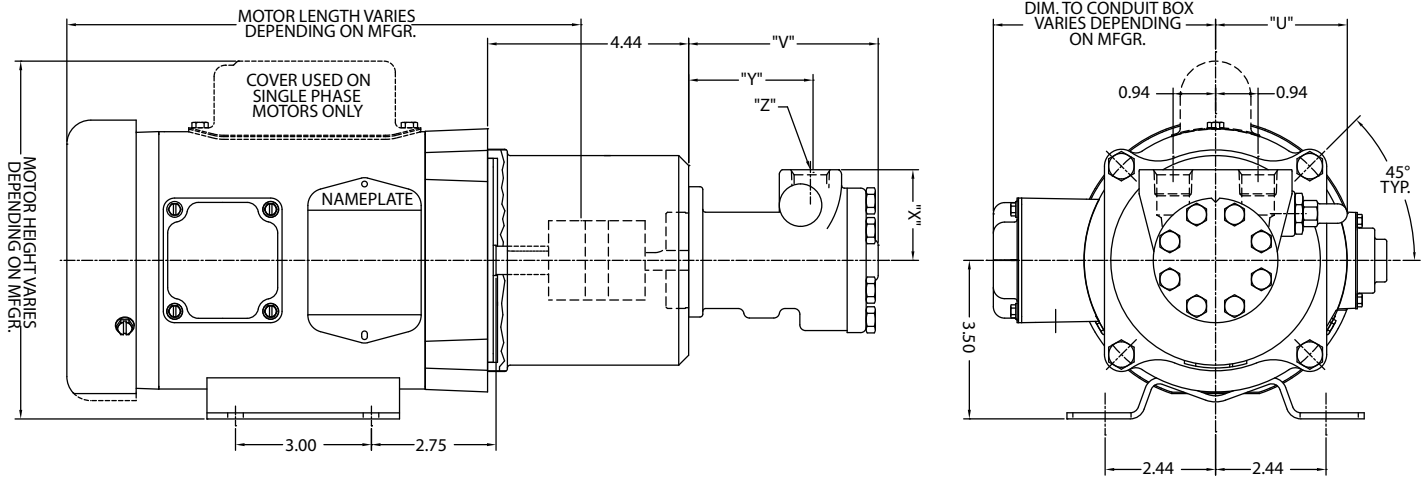
### ASSEMBLY STYLES



**NOTE:** In conjunction with our program of continuous testing and design upgrading, all specifications are subject to change without notice. All data is approximate. Request a quotation for your specific application.

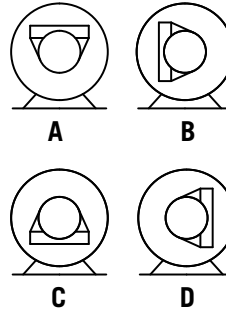
# DIMENSIONS FOR 000LE-2LE ADAPTER MOUNTED TO A 56 FRAME 1 & 3 PHASE MOTOR

All measurements are in inches.



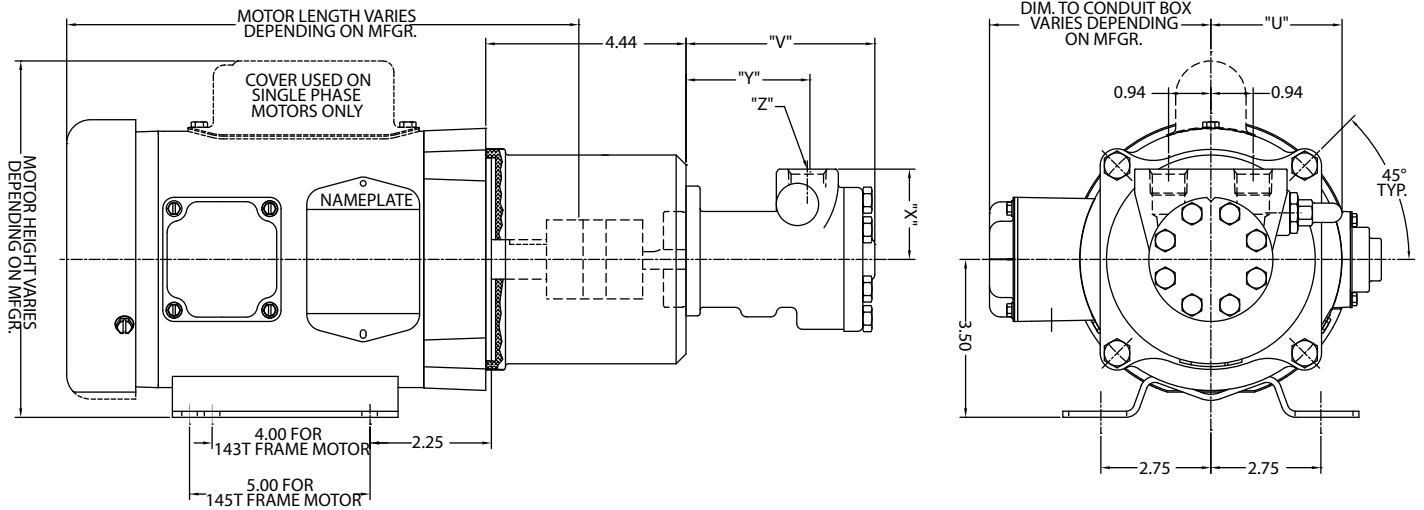
Model #	"U"	"V"	"X"	"Y"	"Z" - NPT
000LE	3-3/32"	3-13/32"	1-11/16"	2-3/32"	3/8" - 18
00LE	3-3/32"	3-3/16"	2"	1-23/32"	1/2" - 14
0LE	3-3/32"	3-3/16"	2"	1-23/32"	1/2" - 14
1LE	3-1/8"	3-11/32"	2"	1-7/8"	1/2" - 14
2LE	3-1/8"	4-3/16"	2"	2-11/16"	1/2" - 14

### ASSEMBLY STYLES



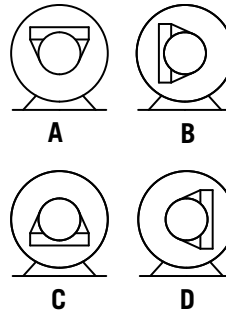
# DIMENSIONS FOR 000LE-2LE ADAPTER MOUNTED TO A 143/145TC FRAME 1 & 3 PHASE MOTOR

All measurements are in inches.



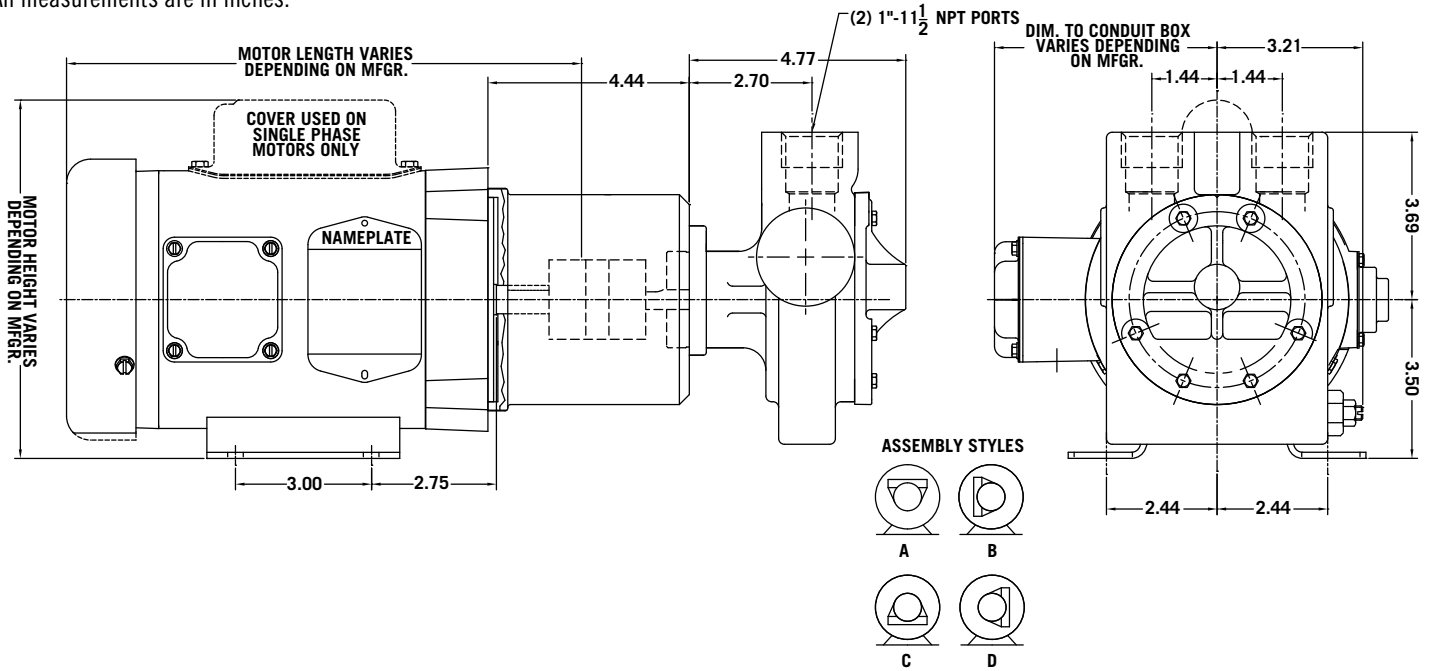
Model #	"U"	"V"	"X"	"Y"	"Z" - NPT
000LE	3-3/32"	3-13/32"	1-11/16"	2-3/32"	3/8" - 18
00LE	3-3/32"	3-3/16"	2"	1-23/32"	1/2" - 14
0LE	3-3/32"	3-3/16"	2"	1-23/32"	1/2" - 14
1LE	3-1/8"	3-11/32"	2"	1-7/8"	1/2" - 14
2LE	3-1/8"	4-3/16"	2"	2-11/16"	1/2" - 14

### ASSEMBLY STYLES



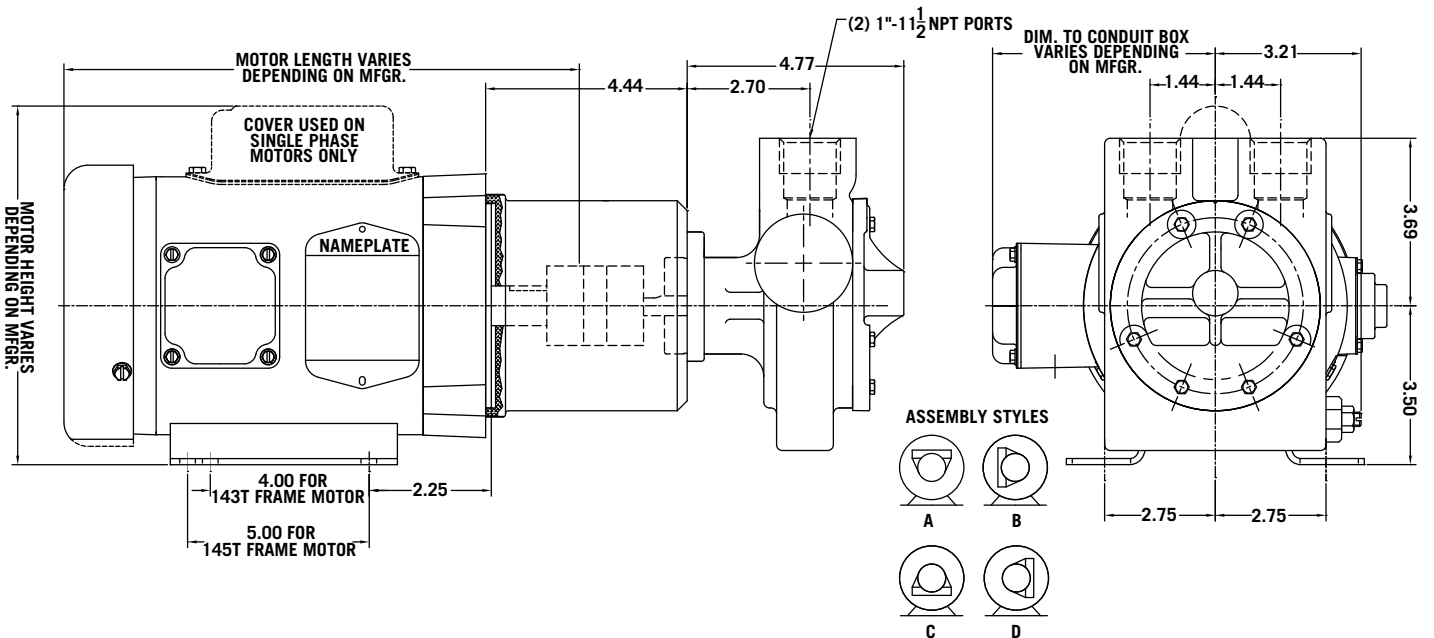
## DIMENSIONS FOR 5LE ADAPTER MOUNTED TO A 56 FRAME 1 & 3 PHASE MOTOR

All measurements are in inches.

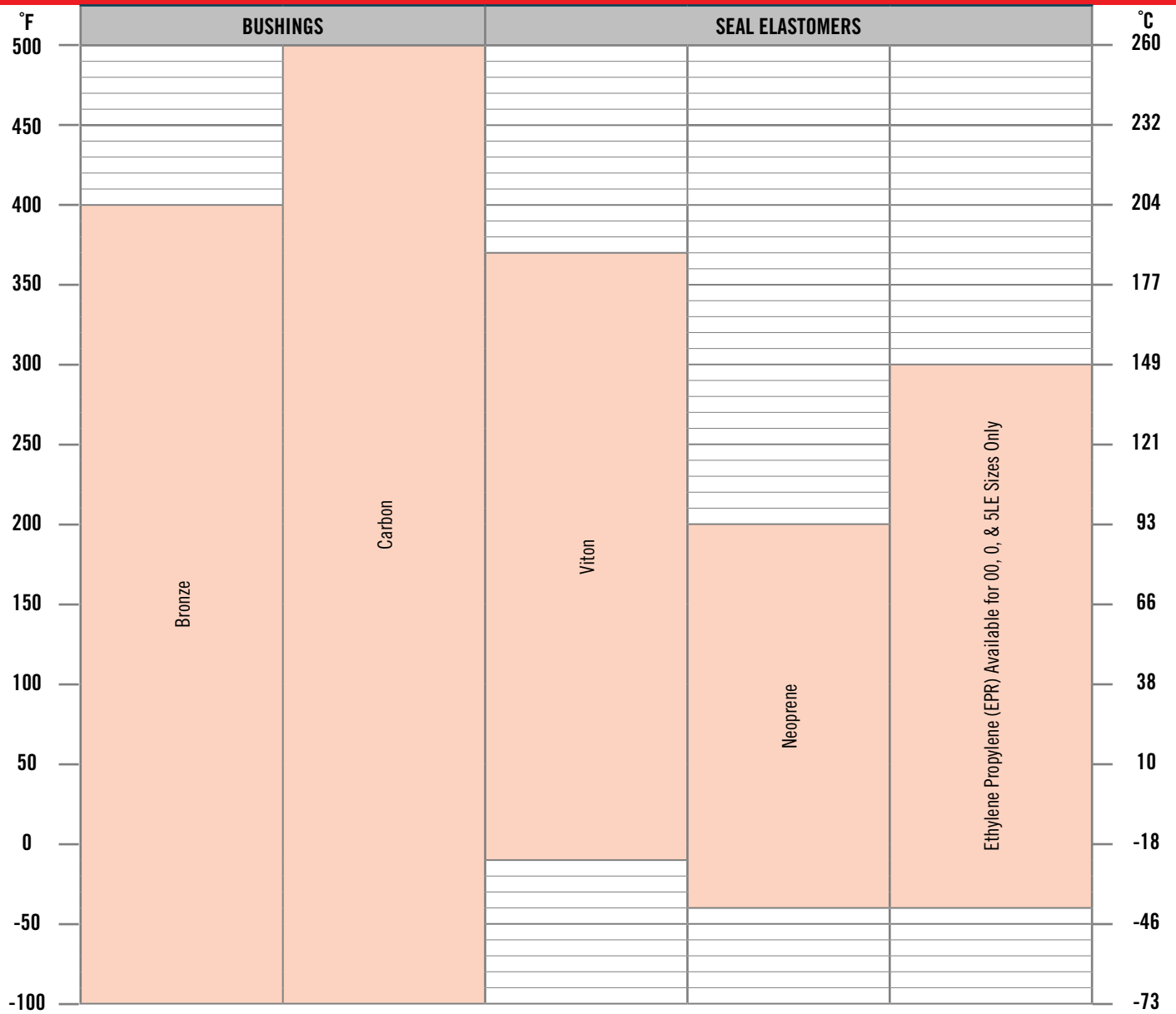


## DIMENSIONS FOR 5LE ADAPTER MOUNTED TO A 143/145TC FRAME 1 & 3 PHASE MOTOR

All measurements are in inches.



## L SERIES TEMPERATURE LIMITS



## L SERIES MATERIALS OF CONSTRUCTION

PART NAME	MATERIAL	STANDARD	COMMENTS	AVAILABILITY
<b>HOUSING</b>	Cast Iron	ASTM A48 - 96a	Classes 30, 35, or 40	Standard
<b>HOUSING BUSHING</b>	Steel	AISI 12L14		Standard
	Carbon	Carbon Graphite Resin	Standard on 5LE Pumps Only	Optional
	Bronze	SAE 660	Available on 2L Size Only	Standard
<b>COVER</b>	Cast Iron	ASTM A48 - 96a	Classes 30, 35, or 40	Standard
<b>ROTOR</b>	Steel	ASTM A311	Stressproof	Standard
<b>IDLER</b>	P/M Steel	MPIF-0508-P		Standard
<b>IDLER PIN</b>	Steel	C1117	Heat Treated	Standard
<b>IDLER BUSHING</b>	Bronze	SAE 660		Standard
	Carbon	Carbon Graphite Resin		Optional
<b>HOUSING PLUG</b>	Steel	AISI 12L14	DU Bushing Assembled in Housing Plug	Standard
<b>GASKETS</b>	Standard	Oriented Polyester		Standard
	Standard	Buna Coated Aluminum	Available on 2L Size Only	Standard
<b>O-RINGS &amp; SEALS</b>	Viton			Standard
	Neoprene			Optional
	EPR		Sizes - 00, 0, & 5LE	Optional

## L CARTRIDGE PUMP MATERIALS OF CONSTRUCTION

PART NAME	MATERIAL	STANDARD	COMMENTS	AVAILABILITY
<b>HOUSING</b>	Cast Iron	ASTM A48 - 96a	Classes 30, 35, or 40	Standard
<b>HOUSING BUSHING</b>	Steel	AISI 12L14		Standard
<b>COVER</b>	Cast Iron	ASTM A48 - 96a	Classes 25, 30, 35, or 40	Standard
<b>ROTOR</b>	Steel	ASTM A311	Stressproof	Standard
<b>IDLER</b>	P/M Steel	MPIF-0508-P		Standard
<b>IDLER PIN</b>	Steel	C1117	Heat Treated	Standard
<b>IDLER BUSHING</b>	Bronze	SAE 660		Optional
	Carbon	Carbon Graphite Resin		Optional
<b>O-RING</b>	Viton			Standard
<b>SEAL</b>	Viton			Standard



## CARTRIDGE PUMP MODEL NUMBER SYSTEM

POSITION #	SIZE		MODEL			PUMP OPTIONS	ROTATION		MODIFICATION
	1	2	3	4	5	6	7	8	9

### POS. 1 & 2 - SIZE

00  
0  
1  
2

### POS. 6 - PUMP OPTIONS

B-7 = Shaft Lip Seal (Viton)  
U = Cover Rotated 180°  
K = Outboard Ball Bearing  
(Available on 00 -1 Size LFD & RFD Models)

### POS. 9 - MODIFICATION

1 = External Ports  
2 = Internal/External Ports  
7 = Viton Seal  
A = Tang Shaft

### POS. 3, 4, & 5 - MODEL

LFD  
RFD

### POS. 7 - ROTATION (VALVED MODELS)

C = Clockwise Rotation  
CC = Counterclockwise Rotation

## CARTRIDGE PUMP NPSH<sub>r</sub> DATA FOR 0-1000 SSU

Pump Series	300 RPM	600 RPM	900 RPM	1200 RPM	1500 RPM	1800 RPM
000L		1.0'	1.7'	1.9'	2.1'	2.3'
00L		1.0'	1.7'	2.0'	2.3'	2.6'
0L		1.0'	1.8'	2.2'	2.5'	2.9'
1L		1.1'	1.8'	2.3'	2.9"	3.5'
2L	1.1'	2.3'	3.0'	3.8'	5.8'	7.0'
5L	1.7'	2.8'	4.6'	6.6'	9.2'	12.3'

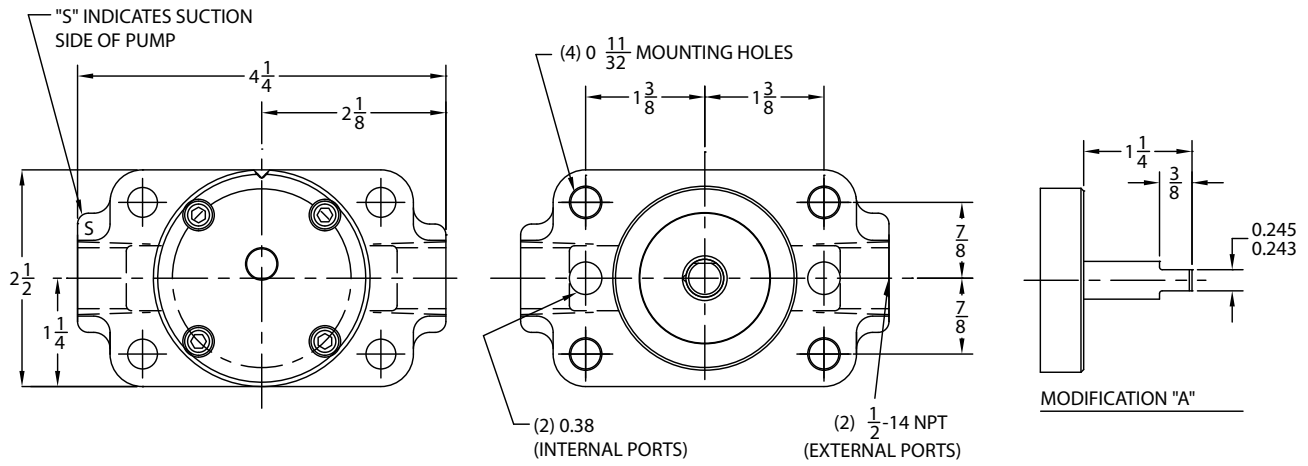
**NOTE:** For liquid viscosity up to 1000 SSU, NPSHa (Net Positive Suction Head available) must be greater than the NPSH<sub>r</sub> (Net Positive Suction Head required) value provided in the table. Values above are for feet of liquid with a Specific Gravity of 1.0.

## VISCOSITY CORRECTION FACTOR

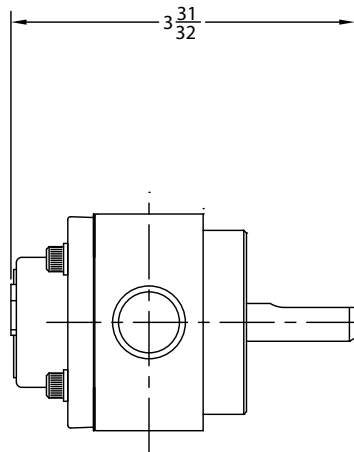
Viscosity	2500 SSU	5000 SSU	10000 SSU
Correction Factor	1.3	1.7	2.0

# 00LFD, 0LFD, 1LFD, 00RFD, 0RFD, & 1RFD PUMP MOUNTING DIMENSIONS

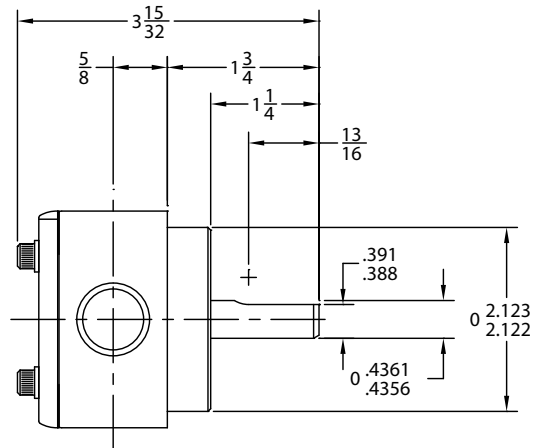
All measurements are in inches.



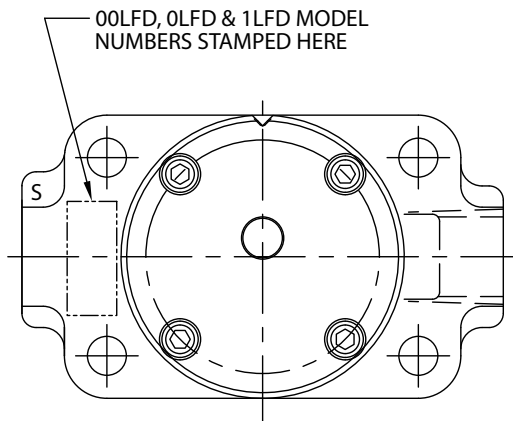
00RFD, 0RFD, AND 1RFD  
(DIFFERENCE IN COVER)



00LFD, 0LFD, AND 1LFD

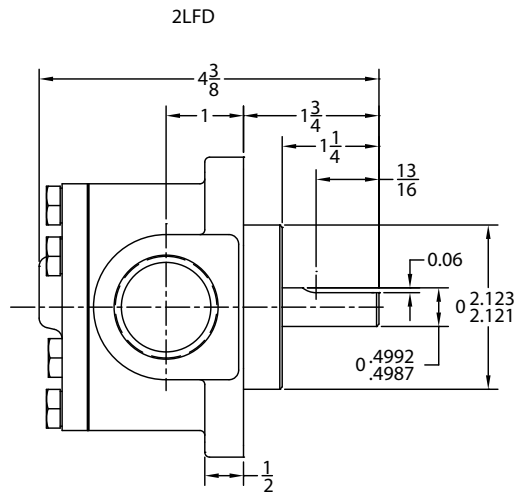
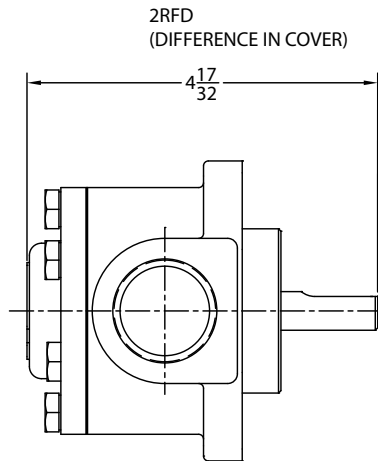
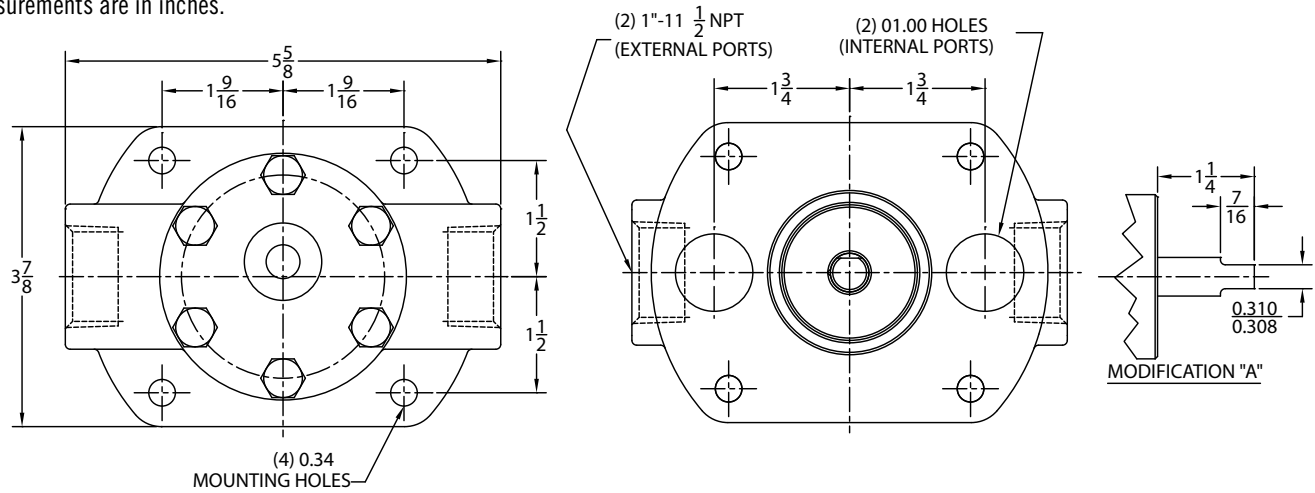


## MODEL NUMBER LOCATION

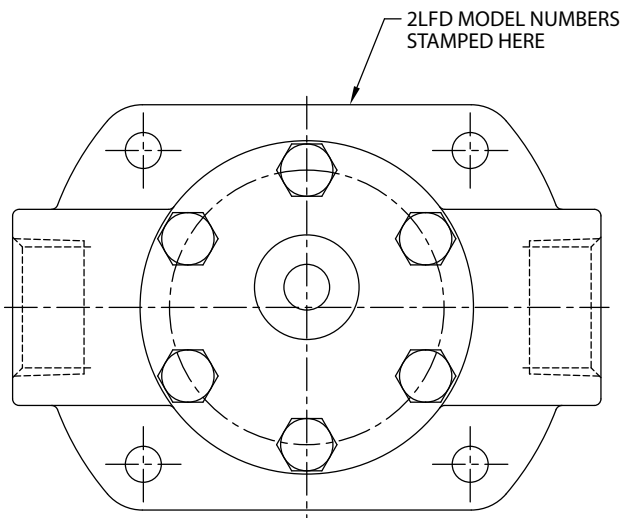


## 2LFD & 2RFD PUMP MOUNTING DIMENSIONS

All measurements are in inches.



## MODEL NUMBER LOCATION



# REGULATORY COMPLIANCE INFORMATION



**ATEX**

The Lube Tech Series pumps' technical file is lodged in accordance with Article 13(1)(b)(ii) of ATEX Directive 2014/34/EU of 26 February 2014

**THE FOLLOWING STANDARDS WERE USED TO VERIFY CONFORMANCE:**

*2006/42/EC – The Machinery Directive*

*EN 1127-1:2011 – Explosive atmospheres - Explosion prevention and protection - Part 1: Basic concepts and methodology*

*EN ISO 80079-36:2016 – Explosive atmospheres - Part 36: Non-electrical equipment for explosive atmospheres - Basic method and requirements*

*EN ISO 80079-37:2016 – Explosive atmospheres - Part 37: Non-electrical equipment for explosive atmospheres - Nonelectrical type of protection constructional safety "c", control of ignition sources "b", liquid immersion "k"*



*Ingersoll Rand's L series pumps and 4100 series pumps are UL listed for Power-operated pumps for fuel oil service.*



The Lube Tech Series pumps comply with the European Directive 2006/42/EC

**THE FOLLOWING STANDARDS WERE USED TO VERIFY CONFORMANCE:**

*EN ISO 12100:2010 – Safety of machinery - General principles for design*

*EN 809:1998+A1:2009 – Pumps and pump units for liquids - Common safety requirements*

*2011/65/EU – The Restriction of Hazardous Substances Directive*

## Ingersoll Rand

12500 South Pulaski Road  
Alsip, Illinois 60803 USA  
P: 708.389.2500  
[www.ingersollrand.com/pumps](http://www.ingersollrand.com/pumps)

Birkdale Close  
Manners Industrial Estate  
Ilkeston, Derbyshire DE7 8YA UK  
P: 44.0.115.932.5226  
[www.ingersollrand.com/pumps](http://www.ingersollrand.com/pumps)

