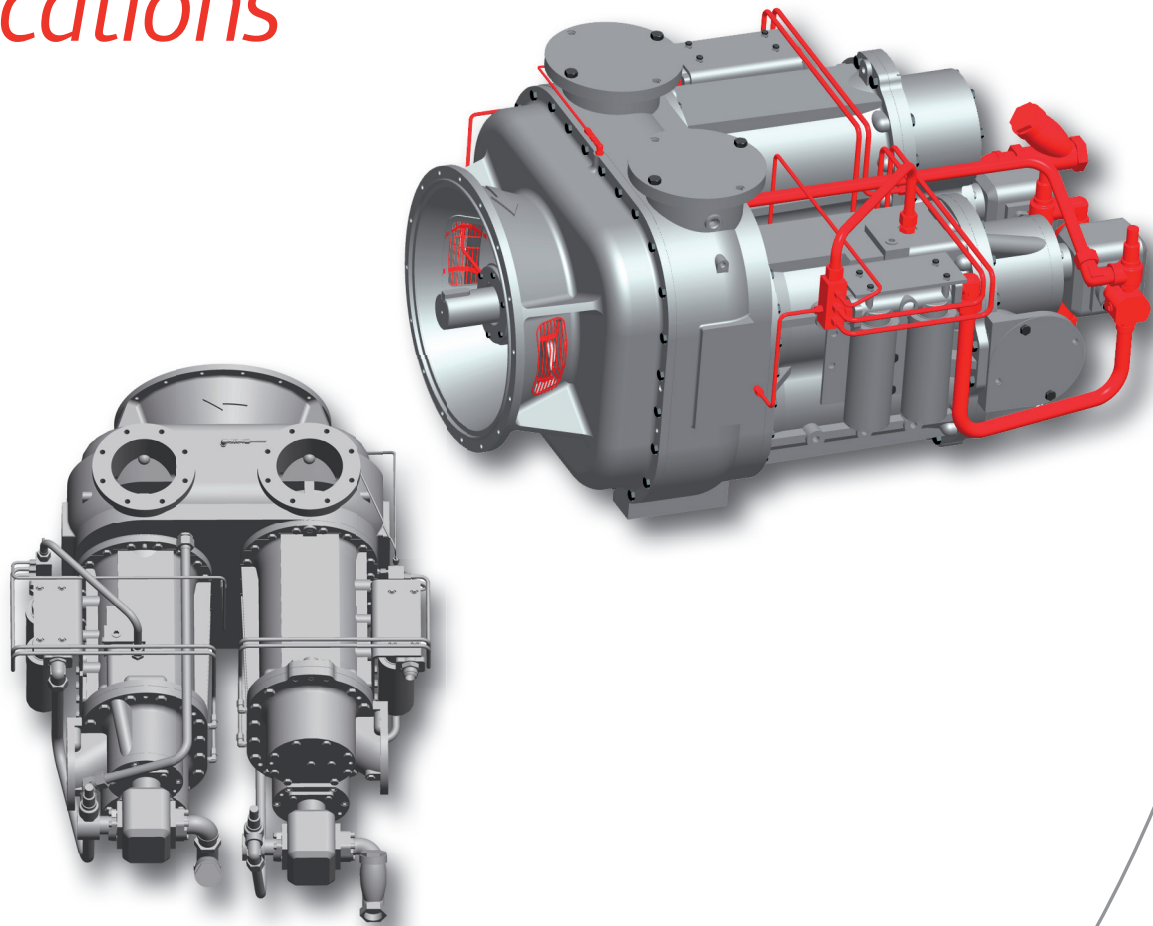


IR2x285 – Twin element screw compressor for specialized applications

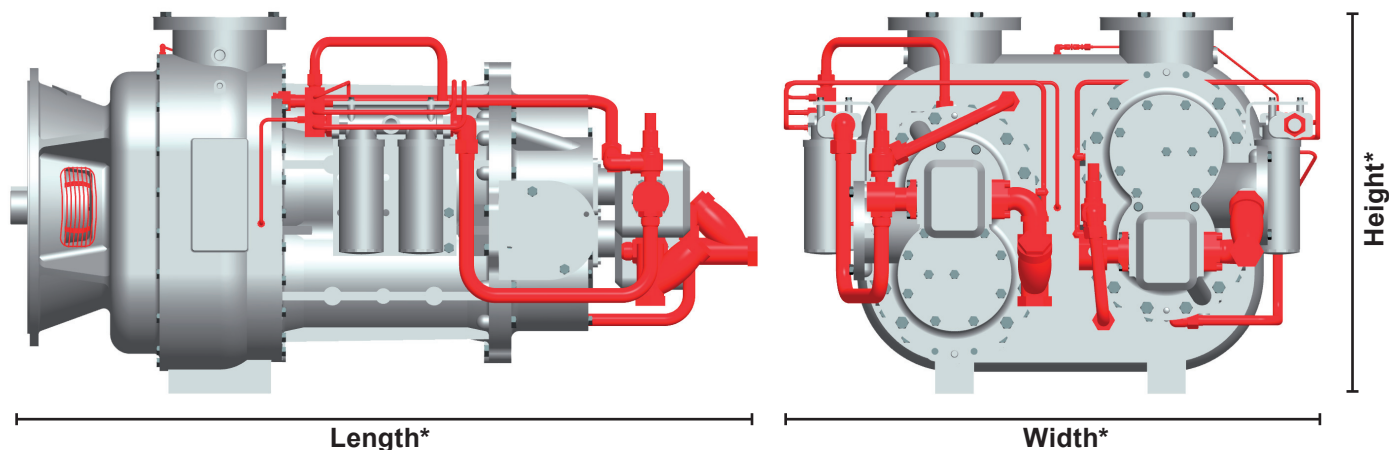


GHH RAND recommends:



- Maximize life and efficiency with Primecool PLUS VG46 lubricant
- Ask your sales rep. for details

IR2x285 twin element screw compressor for specialized applications



Technical data

	Units	IR2x285 double-flow
Type of drive		Jackshaft
Volume flow ^{*1}	m ³ /min (<i>cfm</i>)	116.2 (4,101)
Outlet pressure (min./max.)	bar(a) (<i>psi(a)</i>)	5.5/11.5 (79.8/167)
Power ^{*1} (min./max.)	kW (<i>hp</i>)	623 (836)
*Length x Width x Height	mm (<i>inch</i>)	1,911 x 1,371 x 950 (75 x 54 x 37)
Weight	kg (<i>lbs</i>)	2,744 (6,050)
Inlet flange	mm (<i>inch</i>)	2 x 216 (2 x 8.5)
Discharge flange	mm (<i>inch</i>)	2 x 127 (2 x 5)
Oil connection	NPT	2"
Instrument port at inlet	SAE	2 x 1.063"-12 2 x 0.563"-18
Instrument port at outlet	SAE	2 x 0.750"-16
Vibration measurement	SAE	0.563"-18
Separator scavenge		N/A

Medium: Air, Inlet temperature 20°C/68°F, Inlet pressure 1 bar(a)/14.5 psi(a), RH: 60%;

Note: *1 estimated at 7 bar(a)/101 psi(a)

Highlights

- Precision machined rotors providing highest efficiency
- Taper roller bearings providing linear contact for thrust loads thereby dramatically increasing the life of the airend
- SAE flange for direct coupling

Ease of installation

- Highest quality bearings assure years of reliable, efficient service
- Time-proven twin element airend with a reputation for trouble-free operation and minimal maintenance

Advantage

- Gear drive flexibility between 200–680 kW/ 268–912 hp
- Choose from 5 standard gear ratios

GHH RAND Schraubenkompressoren GmbH
Steinbrinkstr. 1
46145 Oberhausen, Germany
Tel. +49 (0)208 9994-0 • Fax +49 (0)208 9994-179
industrial-sales@ghhrand.com • www.ghhrand.com

