



## Reciprocating Air Compressor

Model 2475 / TS8

---

## Parts Information

 Parts Information



**Save These Instructions**



Only allow **Ingersoll Rand** trained Technicians to perform maintenance on this product. For additional information contact **Ingersoll Rand** factory or nearest Distributor.

The use of other than genuine **Ingersoll Rand** replacement parts may result in safety hazards, decreased performance and increased maintenance and may invalidate all warranties.

Refer all communications to the nearest **Ingersoll Rand** Office or Distributor.

**TABLE OF CONTENTS**

---

<b>TABLE OF CONTENTS</b> . . . . .	<b>2</b>
<b>PARTS ORDERING INFORMATION</b> . . . . .	<b>3</b>
<b>COMPRESSOR FRAME ASSEMBLY</b> . . . . .	<b>.4</b>
<b>HIGH PRESSURE VALVE AND LOW PRESSURE VALVE PLATE ASSEMBLY</b> . . . . .	<b>.6</b>
<b>FASTENER TORQUE REQUIREMENTS FOR BARE COMPRESSOR PUMP.</b> . . . . .	<b>.7</b>
<b>MODEL 2475 BARE COMPRESSOR PUMP</b> . . . . .	<b>.8</b>
<b>TYPICAL MODEL 2475 INTERCOOLER ASSEMBLY</b> . . . . .	<b>.10</b>
<b>SIMPLEX ELECTRIC MOTOR MODELS</b> . . . . .	<b>.12</b>
<b>DUPLEX ELECTRIC MOTOR MODELS</b> . . . . .	<b>.15</b>
<b>GASOLINE ENGINE MODELS.</b> . . . . .	<b>.17</b>
<b>SERVICE AND ACCESSORY PARTS AND KITS</b> . . . . .	<b>.19</b>
<b>SERVICE.</b> . . . . .	<b>.19</b>
<b>ACCESSORIES</b> . . . . .	<b>.20</b>
<b>FLEX HOSES</b> . . . . .	<b>.20</b>
<b>Y-STRAINERS</b> . . . . .	<b>.20</b>
<b>GENERAL ARRANGEMENT DRAWINGS</b> . . . . .	<b>.21</b>
<b>SMALL RECIPROCATING COMPRESSORS MODEL NUMBERS</b>	
<b>WITH SUFFIX - V AND - P</b> . . . . .	<b>.35</b>
<b>SMALL RECIPROCATING COMPRESSORS MODEL NUMBERS</b>	
<b>WITH SUFFIX - V, -VP, AND - P</b> . . . . .	<b>.37</b>

---

## PARTS ORDERING INFORMATION

---

These products are designed and constructed to provide long, trouble-free service. In time it may be necessary to order and install new parts to replace those that have been subjected to wear.

For your convenience and future reference it is recommended that the following information be recorded.

Model Number \_\_\_\_\_

Serial Number \_\_\_\_\_

Date Purchased \_\_\_\_\_

When ordering replacement parts, please specify the following:

1. Complete model number and serial number as it appears on the data (name) plate.
2. Part number(s) and part description as shown in this manual.
3. Quantity required.

### NOTICE

- Continuing improvement and advancement of design may cause changes to this equipment which are not included in this manual. Manuals are periodically revised to incorporate changes. Always check the manual edition number on the front cover for the latest issue.
- Sections of this manual may not apply to your product.
- Using other than genuine **Ingersoll Rand** replacement parts may invalidate the warranty.

### ■ Return Goods Policy

**Ingersoll Rand** will not accept any returned goods for warranty or service work unless prior arrangements have been made and written authorization has been provided from the location where the goods were purchased.

Products which have been modified without **Ingersoll Rand** approval, mishandled or misused will not be repaired or replaced under warranty. A printed copy of the warranty which applies to this product is provided inside the back cover of this manual.

### ■ Disposal



When the life of the product has expired, it is recommended that it be disassembled, degreased and parts separated as to materials so that they may be recycled.

Refer all communications to the nearest **Ingersoll Rand** Office or Distributor.

### COMPRESSOR FRAME ASSEMBLY

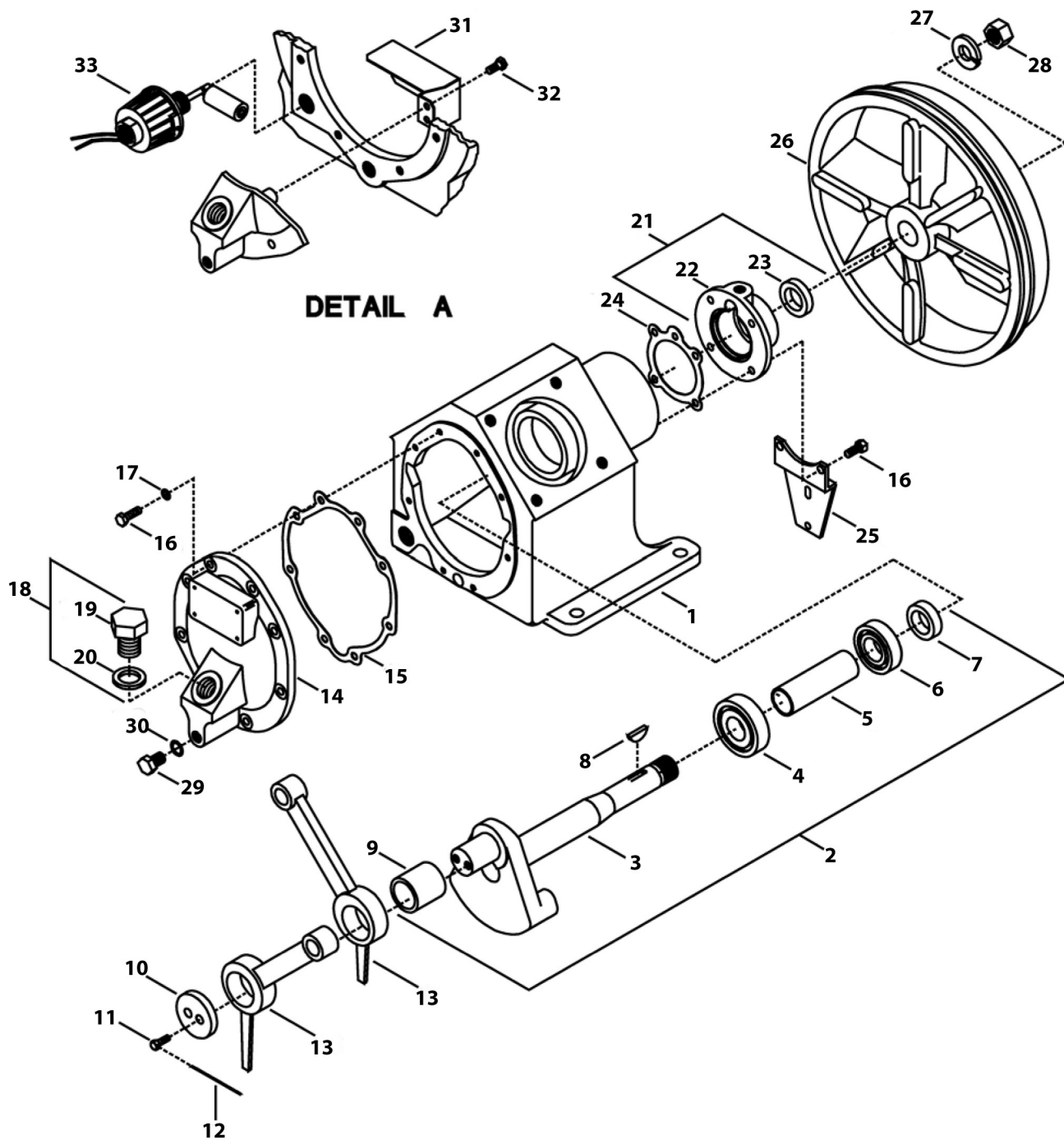


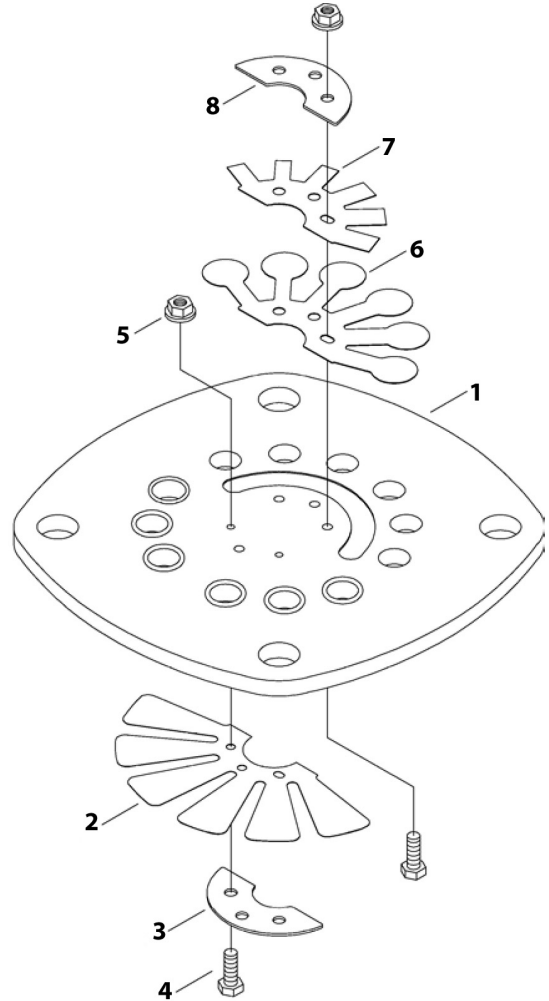
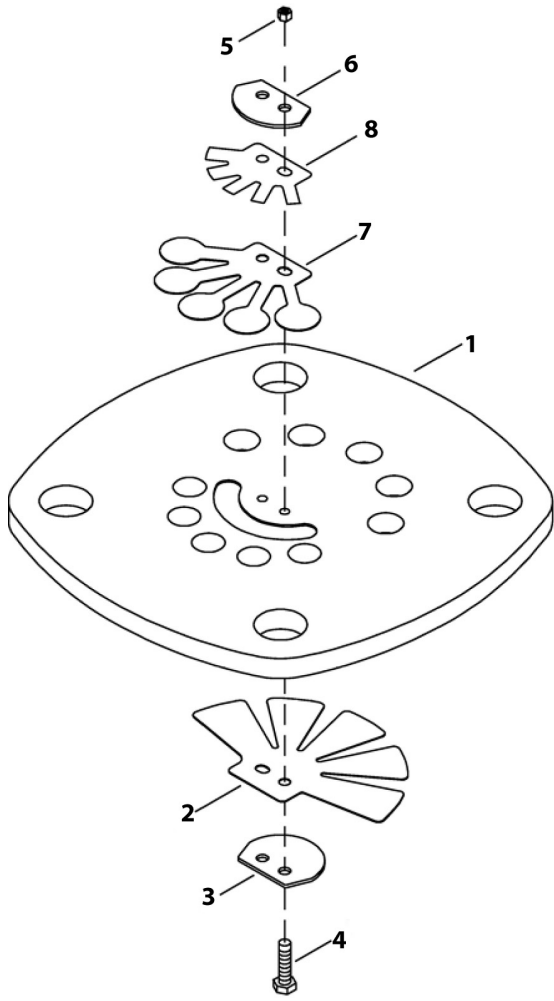
FIGURE 1. COMPRESSOR FRAME ASSEMBLY.

ITEM	CCN	DESCRIPTION	QTY.
1-1	32247728	FRAME, COMPRESSOR	1
1-2	32496507	ASSEMBLY, CRANKSHAFT COMPLETE	1
1-3	NSS	• CRANKSHAFT	1
1-4	32248122	• BEARING, BALL	1
1-5	32006496	• SPACER, CRANKSHAFT BEARING	1
1-6	95134185	• BEARING, BALL WITH SNAP RING	1
1-7	37127669	• RING, BEARING RETAINER	1
1-8	95433173	• KEY, WOODRUFF	1
1-9	30210199	• BUSHING, CRANKPIN	1
1-27	95081808	• LOCKWASHER, SPRING - 3/4"	1
1-28	95076816	• NUT, HEX	1
1-10	30210298	CAP, CRANKPIN	1
1-11	95101911	CAPSCREW	2
1-12	37605193	LOCKWIRE	1
1-13	32004152	ROD, CONNECTING	2
1-14	32496663	COVER, FRAME END	1
1-15	32247884	GASKET, FRAME END COVER	1
1-16	95105250	CAPSCREW, HEX - 5/16-18 X 1"	12
1-17	95674651	GASKET, COPPER WASHER - 5/16"	8
1-18	32279549	PLUG, OIL FILLER - COMPLETE	1
1-19	NSS	PLUG, OIL FILLER	1
1-20	32247850	O-RING, OIL FILLER PLUG	1
1-21	97331060	ASSEMBLY, SHAFT END COVER	1
1-22	NSS	L COVER, SHAFT END	1
1-23	32499923	L SEAL	1
1-24	32247876	GASKET, SHAFT END COVER	1
1-25	32157349	BRACKET, INTERCOOLER CLAMP	1
1-26	32496432	BELT WHEEL ELECTRIC MOTOR DRIVE	1
1-26	32496424	BELT WHEEL GASOLINE ENGINE DRIVE	1
1-29	95053526	CAPSCREW, HEX - 1/2-13 X 3/4"	1
1-30	95674701	GASKET, COPPER	1
1-31	32295222	BAFFLE, OIL LEVEL SWITCH	1
1-32	95053070	CAPSCREW	2
1-33	22102388	KIT, LOW OIL LEVEL SWITCH	1

---

**HIGH PRESSURE VALVE AND LOW PRESSURE VALVE PLATE ASSEMBLY**

---



**FIGURE 2. HIGH PRESSURE VALVE PLATE ASSEMBLY**

**FIGURE 3. LOW PRESSURE VALVE PLATE ASSEMBLY.**

ITEM	CCN	DESCRIPTION	QTY.
REF.	32310799	ASSEMBLY, VALVE PLATE - HIGH PRESSURE	1
2-1	NSS	PLATE, VALVE - HIGH PRESSURE	1
2-2	32236671	VALVE, FINGER - INLET	1
2-3	32297343	RETAINER, VALVE HP	1
2-4	97511042	SCREW, HEX HEAD - M3 X 16	2
2-5	97511059	NUT, HEX - M3 WITH LOCKWASHER	2
2-6	32295461	RETAINER, FINGER VALVE - DISCHARGE	1
2-7	32241010	VALVE, FINGER - DISCHARGE	1
2-8	32295479	VALVE, DAMPER - DISCHARGE	1

ITEM	CCN	DESCRIPTION	QTY.
REF.	32248205	ASSEMBLY, VALVE PLATE	1
3-1	NSS	PLATE, VALVE - LOW PRESSURE	1
3-2	32248130	VALVE, FINGER - INLET	1
3-3	32248148	RETAINER, FINGER VALVE - INLET	1
3-4	32247512	SCREW, HEX HEAD - M4 X 12	6
3-5	47638648001	NUT, HEX - M4 WITH LOCKWASHER	6
3-6	32248155	VALVE, FINGER - DISCHARGE	1
3-7	32294464	VALVE, DAMPER - DISCHARGE	1
3-8	32248163	VALVE, RETAINER - DISCHARGE	1

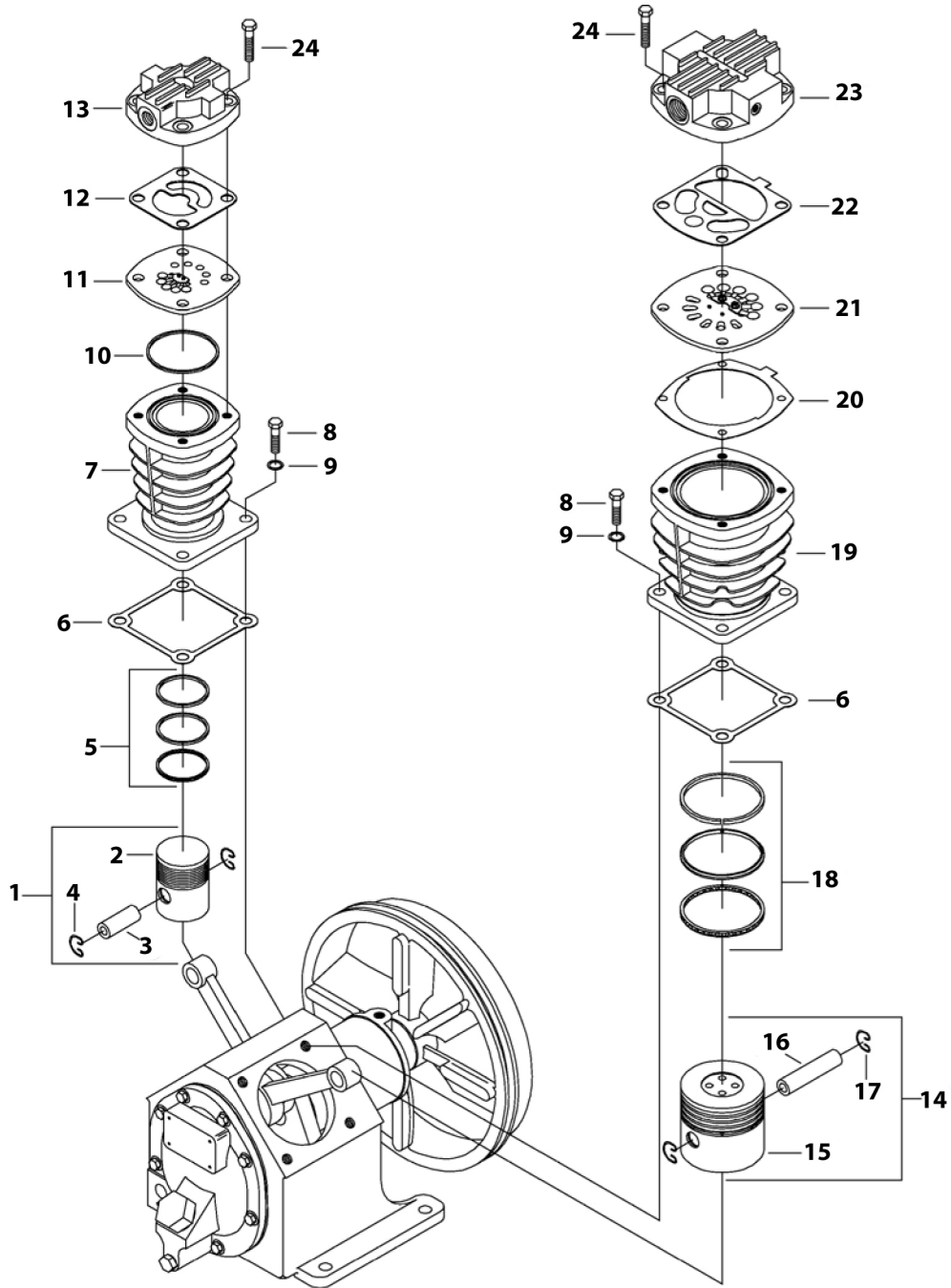
### FASTENER TORQUE REQUIREMENTS FOR BARE COMPRESSOR PUMP

Torque values for critical nut, bolt, and capscrew fasteners are listed below.

Gradually and evenly in two stages, tighten each fastener to the final torque using a criss-cross tightening sequence. Use only calibrated torque wrenches.

THREADED FASTENER LOCATION	TORQUE
HIGH PRESSURE HEAD BOLT	75
LOW PRESSURE HEAD BOLT	75
CYLINDER FLANGE	50
FRAME END COVER	17
SHAFT END COVER	17
CRANKPIN CAP	11
HIGH PRESSURE VALVE - IN	11-15 IN LB
LOW PRESSURE VALVE - IN	25-30 IN LB
HIGH PRESSURE VALVE - OUT	11-15 IN LB
LOW PRESSURE VALVE - OUT	25-30 IN LB
BELT WHEEL	60

**MODEL 2475 BARE COMPRESSOR PUMP**

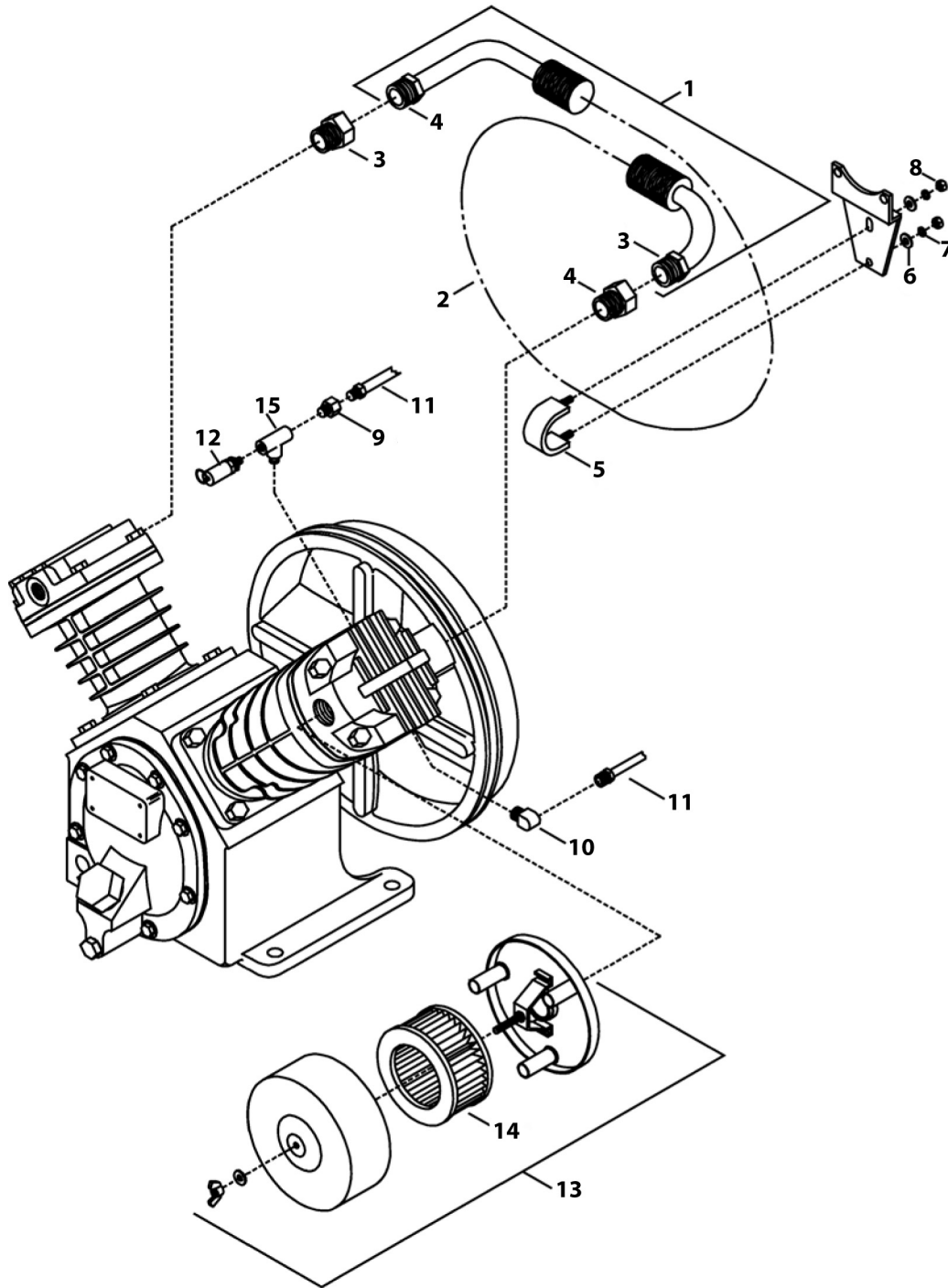


**FIGURE 4. MODEL 2475 BARE COMPRESSOR PUMP.**



ITEM	CCN	DESCRIPTION	QTY.
4-1	32496598	PISTON, AIR - COMPLETE - 2.5" HIGH PRESSURE	1
4-2	NSS	PISTON - AIR - 2.5"	1
4-3	30287783	PIN, PISTON	1
4-4	30298020	RING, LOCK	2
4-5	32307910	SET, PISTON RING - 2.5"	1
4-6	32247868	GASKET, CYLINDER/FLANGE	2
4-7	32247652	CYLINDER - 2.5" - HIGH PRESSURE	1
4-8	95053567	CAPSCREW, HEX - 1/2-13 X 1-1/4"	8
4-9	95674701	GASKET, COPPER - 1/2"	8
4-10	32246878	O-RING, VALVE PLATE - HIGH PRESSURE	1
4-11	32310799	ASSEMBLY, VALVE PLATE - HIGH PRESSURE (SEE FIGURE 2)	1
4-12	32247926	GASKET, AIRHEAD - HIGH PRESSURE	1
4-13	32247827	AIRHEAD - HIGH PRESSURE	1
4-14	32496564	PISTON, AIR - COMPLETE - 4" - LOW PRESSURE	1
4-15	NSS	PISTON, AIR - 4"	1
4-16	30288393	PIN, PISTON	1
4-17	30298020	RING, LOCK	2
4-18	32307928	SET, PISTON RING - 4"	1
4-19	32293540	CYLINDER, - 4" LOW PRESSURE	1
4-20	32248197	GASKET, VALVE PLATE - LOW PRESSURE	1
4-21	32248205	ASSEMBLY, VALVE PLATE - LOW PRESSURE (SEE FIGURE 3)	1
4-22	32248189	GASKET, AIRHEAD - LOW PRESSURE	1
4-23	32293557	AIRHEAD - LOW PRESSURE	1
4-24	95104188	CAPSCREW, HEX - 1/2-13 X 1-3/4"	8

**TYPICAL MODEL 2475 INTERCOOLER ASSEMBLY**



**FIGURE 5. TYPICAL MODEL 2475 INTERCOOLER ASSEMBLY.**

---

ITEM	CCN	DESCRIPTION	QTY.
5-1	32499196	ASSEMBLY, INTERCOOLER	1
5-2	NSS	• INTERCOOLER	1
5-3	95108577	• NUT, TUBE - 3/4"	2
5-4	95083275	CONNECTOR, TUBE	2
5-5	32247942	CLAMP, INTERCOOLER	1
5-6	95094298	WASHER, FLAT - 1/4"	2
5-7	95648150	LOCKWASHER, SPRING - 1/4"	2
5-8	95416335	NUT, HEX - 1/4-20	2
5-9	95082483	CONNECTOR, TUBE	1
5-10	95031860	ELBOW, TUBE	1
5-11	32247892	ASSEMBLY, TUBE - BREATHER	1
5-12	72062185	VALVE, RELIEF - 80 PSIG	1
5-13	32170953	FILTER, INLET - COMPLETE - 10 MICRON	1
5-14	32170979	ELEMENT, FILTER - 10 MICRON	1
5-13	37170834	FILTER, INLET - COMPLETE - 4 MICRON	
5-14	32165466	ELEMENT, FILTER - 4 MICRON	
5-15	37143542	ELBOW, STREET	1

## SIMPLEX ELECTRIC MOTOR MODELS

<b>AIR COMPRESSOR PUMP</b>		
<b>CCN</b>	<b>DESCRIPTION</b>	<b>QTY</b>
	<b>AIR COMPRESSOR PUMP GROUP</b>	1
32304370	PUMP, BARE COMPRESSOR	1
95114476	CAPSCREW, HEX - 1/2-13 X 1-1/2 (TO MOUNT PUMP TO BASE)	4
95458808	NIPPLE, CLOSE 3/4 X 1-3/8	1
95716890	LOCKWASHER, SPRING - 1/2 (FOR PUMP MOUNTING CAPSCREWS)	4
<b>CONTROLS</b>		
	<b>COMMON</b>	
31385693	VALVE, SAFETY / RELIEF - 200 PSIG	1
32174286	VALVE, SAFETY / RELIEF (DISCHARGE) - 325 PSIG	1
32499816	GAUGE, AIR PRESSURE - 0-300 PSIG, 1/4 NPT, 9 O'CLOCK	1
32179038	PLUG, PIPE - 1/4 CENTER DISCHARGE UNITS	1
56288772	SWITCH, PRESSURE - SIEMENS W / UNLOADER VALVE & LEVER	1
32333072	ASSEMBLY, TUBE - PRESSURE SWITCH TO CHECK VALVE	1
32499626	ASSEMBLY, DISCHARGE TUBE	1
85582229	VALVE, CHECK - 5/8 T X 3/4 NPT	1
32145088	ELBOW, TUBE - 3/4 X 3/4 WITH PORT	1
95031795	TUBE ELBOW - 5/8 X 1/2	1
95426714	NIPPLE, CLOSE - 1/4 X 7/8 FULLY PACKAGED UNITS	1
56288764	SWITCH, PRESSURE - SIEMENS W / UNLOADER VALVE (FULLY PACKAGED UNITS)	1
32221228	TEE, MALE BRANCH -1/4	1
32322281	ASSEMBLY, TUBE - PRESSURE SWITCH TO CHECK VALVE 2475N NEMA 1 IFCV	1
32322299	ASSEMBLY, TUBE - PRESSURE SWITCH TO CHECK VALVE 2475D NEMA 1 IFCV	1
32323172	ASSEMBLY, TUBE - UNL 2475N7.5 PRESS SW TO CK VLV W/ROT SWITCH	11
32323396	ASSEMBLY, TUBE - MM/CK VLV/ACA C 2475N (INV CK VLV)	1
32323404	ASSEMBLY, TUBE - N4 PS/CK VLV 2475D (INVCK VLV)	1
32323412	ASSEMBLY, TUBE - MM/CK VLV/TEB G 2475N	1
32333098	ASSEMBLY, TUBE - PRESSURE SWITCH TO CHECK VALVE 2475N (SIEMENS)	1
32333106	ASSEMBLY, TUBE - PRESSURE SWITCH TO CHECK VALVE 2475D (SIEMENS)	1
32333114	ASSEMBLY, TUBE - PRESSURE SWITCH TO CHECK VALVE 2475N7.5 (SIEMENS)	1
32334849	ASSEMBLY, TUBE - PRESSURE SWITCH TO CHECK VALVE 2475N5	1
32334872	ASSEMBLY, TUBE - PRESSURE SWITCH TO CHECK VALVE 2475N7.5	1
32334880	ASSEMBLY, TUBE - PRESSURE SWITCH TO CHECK VALVE 2475D5	1
32209157	NIPPLE, LONG - 1/4 X 5	1
95082467	CONNECTOR, MALE - 1/4 X 1/4	1
<b>AIR RECEIVER TANK</b>		
23686900	TANK, AIR RECEIVER - 80 GALLON VERTICAL (CENTER DISCHARGE UNITS)	1
32496499	TANK, AIR RECEIVER - 80 GALLON VERTICAL (FULLY PACKAGED UNITS)	1
32498768	TANK, AIR RECEIVER - 80 GALLON HORIZONTAL (175 PSIG UNITS)	1
32251837	TANK, AIR RECEIVER - 80 GALLON HORIZONTAL (250 PSIG UNITS)	1
32223596	VALVE, BALL - 3/4 (CENTER DISCHARGE UNITS)	1
32106569	VALVE, BALL - 3/4 (FULLY PACKAGED UNITS)	1
32027120	VALVE, MANUAL DRAIN (CENTER DISCHARGE UNITS)	1

<b>BASEPLATE</b>		
<b>CCN</b>	<b>DESCRIPTION</b>	<b>QTY</b>
	<b>BASEPLATE PACKAGE GROUP</b>	
32195224	ASSEMBLY, SUBBASE	1
32333445	ASSEMBLY, PRESSURE SWITCH TUBE	2
32048993	CLAMP	2
<b>STARTERS</b>		
	<b>CENTER DISCHARGE UNITS</b>	
56272305	STARTER, 5HP - 200-1-60	1
56272040	STARTER, 5HP - 230-1-60	1
56272057	STARTER, 5HP - 200-3-60	1
56272222	STARTER, 5HP - 230-3-60	1
56272230	STARTER, 5HP - 460-3-60	1
56272164	STARTER, 5HP - 575-3-60	1
56272297	STARTER, 7.5HP - 230-1-60	1
56272198	STARTER, 7.5HP - 200-3-60	1
56272131	STARTER, 7.5HP - 230-3-60	1
56272149	STARTER, 7.5HP - 460-3-60	1
56272214	STARTER, 7.5HP - 575-3-60	1
97330229	PLATE, STARTER MOUNT	1
	<b>FULLY PACKAGED UNITS</b>	
56272305	STARTER, 5HP - 200-1-60	1
56272040	STARTER, 5HP - 230-1-60	1
56272057	STARTER, 5HP - 200-3-60	1
81292468	STARTER, 5HP - 230/460-3-60	1
56272222	STARTER, 5HP - 230-3-60	1
56272164	STARTER, 5HP - 575-3-60	1
81292450	STARTER, 7.5HP - 230/460-3-60	1
56272297	STARTER, 7.5HP - 230-1-60	1
56272198	STARTER, 7.5HP - 200-3-60	1
56277214	STARTER, 7.5HP - 575-3-60	1
<b>ELECTRIC DRAIN</b>		
	<b>COMMON</b>	
54393335	ELBOW, STREET - 1/2	1
54579248	DRAIN, EDV ELECTRIC	1
95989638	CONNECTOR, SWIVEL - FEMALE VERTICAL TANK UNITS	1
32237851	NIPPLE, LONG - 1/2 X 4-1/2	1
54386974	COUPLING, BRASS - 1/2	1
95242517	NIPPLE, LONG - 1/2 X 6	1
<b>DRIVE</b>		
	<b>MOTORS - CENTER DISCHARGE UNITS</b>	
32288631	MOTOR, 5HP - 230-1-60	1
97331656	MOTOR, 5HP - 230/460-3-60	1
97331649	MOTOR, 5HP - 200-3-60	1
97331664	MOTOR, 5HP - 575-3-60	1
32065526	MOTOR, 5HP - 200-1-60	1
97331656	MOTOR, 5HP - 230-3-60	1

CCN	DESCRIPTION	QTY
32309437	MOTOR, 7.5HP - 230-1-60	1
97331680	MOTOR, 7.5HP - 230/460-3-60	1
97331672	MOTOR, 7.5HP - 200-3-60	1
	<b>BELTS</b>	
95099479	BELT, V - A62 (5HP CENTER DISCHARGE UNITS)	1
95099511	BELT, V - A70 (5HP FULLY PACKAGED UNITS)	1
95099461	BELT, V - A60 (7.5HP CENTER DISCHARGE UNITS)	1
	<b>MOTORS - FULLY PACKAGED UNITS</b>	
32065526	MOTOR, 5HP - 200-1-60	1
32288631	MOTOR, 5HP - 230-1-60	1
32036790	MOTOR, 5HP - 200-3-60	1
32036857	MOTOR, 5HP - 230/460-3-60	1
32036865	MOTOR, 5HP - 575-3-60	1
	<b>SHEAVE SETS</b>	
32281768	SET, SHEAVE (5HP)	1
54507975	SET, SHEAVE (7.5HP, 230-1-60) 2475	1
54507967	SET, SHEAVE (7.5HP, ALL EXCEPT 230-1-60) 2475	1
47620795001	SET, SHEAVE TS8	1
	<b>COMMON</b>	
32175556	CAPSCREW, SERRATED WASHER HEAD - 3/8-16 X 1 (MOTOR MOUNTING)	4
54370523	NUT, CONICAL KEPS - 3/8 (MOTOR MOUNTING)	VAR
<b>AIR COOLED AFTERCOOLER (ACAC)</b>		
32174286	VALVE, SAFETY(DISCH)325PS SA25-0A325	1
32188450	TUBE ASSY, COMPR/ACAC 242 2420/2475	1
32322265	TUBE ASSY, ACAC/RECVR 2475N IFCV	1
32322273	TUBE ASSY, ACAC/RECVR 2475D IFCV	1
95031795	TUBE ELBOW 5/8X1/2 75A10B20 249IFHD10-8 .	1
32498149	COIL, AFTERCOOLER MODINE 2475 5HP	1
85582229	VALVE, CHECK 3/4" X 5/8T W/ 1/4" & 1/4T PORTS	1
32498065	COIL, AFTER COOLER -7.5HP	1
<b>BELTGUARD</b>		
	<b>WIRE STYLE (CENTER DISCHARGE UNITS)</b>	
32499162	BACK, BELTGUARD - WIRE	1
32499170	FRONT, BELTGUARD - WIRE	1
32496093	CLIP, PVC COATED	4
95916078	WASHER, FLAT - 1/4 ZINC	3
97173595	CAPSCREW, SELF-TAP - 1/4-20 X 1/2	3
97330013	BRACE, WIRE BELTGUARD	1
	<b>SHEET METAL STYLE (FULLY PACKAGED UNITS)</b>	
32281040	BACK, BELTGUARD - SHEET METAL	1
32281057	BRACE, SHEET METAL BELTGUARD (ATTACH TO LOW PRESSURE HEAD)	1
32281065	BRACE, SHEET METAL BELTGUARD (ATTACH TO HIGH PRESSURE HEAD)	1
32281073	COVER, AIR COOLED AFTERCOOLER	1
32000705	SCREW, SELF-TAPPING - 3/8-16 X 3/4	4
32187056	SCREW, SELF-DRILL - 1/4-14	14

## DUPLEX ELECTRIC MOTOR MODELS

CCN	DESCRIPTION	QTY
<b>AIR COMPRESSOR PUMP</b>		
<b>AIR COMPRESSOR PUMP GROUP</b>		
32304370	PUMP, BARE COMPRESSOR	2
95114476	CAPSCREW, HEX - 1/2-13 X 1-1/2 (TO MOUNT PUMP TO BASE)	8
95716890	LOCKWASHER, SPRING - 1/2 (FOR PUMP MOUNTING CAPSCREWS)	8
<b>CONTROLS</b>		
<b>COMMON</b>		
56288764	SWITCH, PRESSURE - WITH UNLOADER VALVE	1
56288798	SWITCH, PRESSURE	1
95426714	NIPPLE, CLOSE	1
32013872	GAUGE, PRESSURE	1
32179038	PLUG, PIPE	4
32301483	ASSEMBLY, SHUTTLE VALVE	1
32333528	ASSEMBLY, TUBE - IC/IC 2-2475D TANK (LEAD/LAG)	1
32333015	ASSEMBLY, TUBE - PL.UNL SH VLV/DUP SIEMENS 2-2475D	1
<b>BASE PACKAGE</b>		
32251894	TANK, AIR RECEIVER - 2-2475D	1
32251902	TANK, AIR RECEIVER - 2-2475E	1
32223596	ASSEMBLY, BALL VALVE - 3/4" (2-2475D)	1
32223604	ASSEMBLY, BALL VALVE - 1" (2-2475E)	1
32116295	ASSEMBLY, TUBE - REC / MTD BLOCK RIGHT HAND (2-2475E7.5)	1
32116303	ASSEMBLY, TUBE - REC / MTD BLOCK LEFT HAND (2-2475E7.5)	1
32118382	ASSEMBLY, TUBE - REC / MTD BLOCK RIGHT HAND (2-2475D5)	1
32118390	ASSEMBLY, TUBE - REC / MTD BLOCK LEFT HAND (2-2475D5)	1
32333551	ASSEMBLY, TUBE - REC / MTD BLOCK RIGHT HAND (2-2475E5)	1
32333544	ASSEMBLY, TUBE - REC / MTD BLOCK LEFT HAND (2-2475E5)	1
31385693	VALVE, SAFETY/ RELIEF - 200 PSIG	1
32157554	CONNECTOR, MALE - 5/16 X 1/4	2
32179038	PLUG, PIPE - 1/4 (2-2475E)	1
32236333	ASSEMBLY, TUBE - SHUTTLE VALVE / I/C TEE (2-2475E)	1
95007522	TEE, MALE TUBE - 5/16 X 1/8	1
95037453	BUSHING, REDUCER - 3/4 X 1/4	1
95037826	BUSHING, REDUCING - 1-1/2 X 1	1
<b>MOTORS</b>		
32036931	MOTOR, 7.5 HP - 200-3-60	2
32036972	MOTOR, 7.5 HP - 230/460-3-60	2
32036980	MOTOR, 7.5 HP - 575-3-60	2
32175556	CAPSCREW, 3/8-16 X 1	8
37177052	CLAMP, MOTOR	2
37177656	BOLT, BELT TIGHTENER	2
37179207	CLIP, BELT TIGHTENER	2
54370523	NUT, CONICAL KEPS - 3/8	4
56271406	SET, SHEAVE	2
95677324	BELT, V - A74	2

CCN	DESCRIPTION	QTY
<b>ALTERNATORS</b>		
56272917	ALTERNATOR, 7.5 HP - 200-3-60	1
56272966	ALTERNATOR, 7.5 HP - 230-3-60	1
23867567	ALTERNATOR, 7.5 HP - 460-3-60	1
56273063	ALTERNATOR, 7.5 HP - 575-3-60	1
95074266	SCREW, TAPPING - 1/4-20 X 1/2	3
32298705	BRACKET, ALTERNATOR	1
32000705	SCREW, SELF-TAPPING - 3/8-16 X 3/4	4
VAR.	HEATER	6
<b>AIR COOLED AFTERCOOLER</b>		
95037826	BUSHING, REDUCING - 1-1/2 X 1	1
95006565	TEE, PIPE - 1"	1
95640074	NIPPLE, CLOSE 1 X 1-1/2	1
32186421	BUSHING, REDUCING - 1 X 3/4	2
85582112	VALVE, CHECK - 3/4 X 3/4	2
32174286	VALVE, SAFETY / RELIEF - DISCHARGE (325 PSIG)	2
32324295	ASSEMBLY, TUBE - ACAC / TANK	2
32324287	ASSEMBLY, TUBE - PUMP / ACAC	2
32498065	COIL, AFTERCOOLER - 7.5HP	2
32498149	COIL, AFTER COOLER -5HP	2
<b>BELTGUARD</b>		
32281040	BACK, BELTGUARD - SHEET METAL	2
32281057	BRACE, SHEET METAL BELTGUARD (ATTACH TO LOW PRESSURE HEAD)	2
32281065	BRACE, SHEET METAL BELTGUARD (ATTACH TO HIGH PRESSURE HEAD)	2
32281073	COVER, AIR COOLED AFTERCOOLER	2
32000705	SCREW, SELF-TAPPING - 3/8-16 X 3/4	8
32187056	SCREW, SELF-DRILL - 1/4-14	28
<b>PNEUMATIC DRAIN VALVE</b>		
32311102	ASSEMBLY, PNEUMATIC DRAIN VALVE	1
32496325	TEE, MALE RUN	1
32335457	ASSEMBLY, TUBE - DRAIN VALVE TO COMPRESSOR	1
32311128	ASSEMBLY, TUBE - CONDENSATE	1
95110441	ELBOW, TUBE - 5/16 X 1/4	1



## GASOLINE ENGINE MODELS

CCN	DESCRIPTION	QTY
<b>TUBING GROUP</b>		
32343758	ASSEMBLY, DISCHARGE TUBE - KOHLER BASEPLATE MOUNTED UNITS	1
32343725	ASSEMBLY, DISCHARGE TUBE - KOHLER TANK MOUNTED UNITS	1
32343758	ASSEMBLY, DISCHARGE TUBE - HONDA BASEPLATE MOUNTED UNITS	1
32343725	ASSEMBLY, DISCHARGE TUBE - HONDA TANK MOUNTED UNITS	1
<b>CONTROLS GROUP</b>		
23426687	CONTROL, THROTTLE SLOWDOWN - KOHLER BASEPLATE MOUNTED UNITS	1
23426687	CONTROL, THROTTLE SLOWDOWN - KOHLER TANK MOUNTED UNITS	1
23426687	CONTROL, THROTTLE SLOWDOWN - HONDA UNITS	1
49816283	VALVE, AUXILIARY	1
32174286	* VALVE, SAFETY / RELIEF - 325 PSIG DISCHARGE	1
31385693	* VALVE, SAFETY / RELIEF - 200 PSIG RECEIVER	1
37155751	* MUFFLER, DISCHARGE UNLOADER	1
32013898	GAUGE, PRESSURE - BASEPLATE MOUNTED UNITS	1
81296253	GAUGE, PRESSURE - TANK MOUNTED UNITS	1
95031795	TUBE ELBOW 5/8X1/2 (ALL)	1
32262545	NIPPLE, PIPE - 1/2" X 4" (KOHLER / HONDA TANK MOUNTED)	1
<b>AIR RECEIVER TANK GROUP</b>		
32175507	TANK, AIR RECEIVER - BASEPLATE MOUNTED UNITS	1
23746076	TANK, AIR RECEIVER - KOHLER / HONDA TANK MOUNTED UNITS	1
32223588	VALVE, SERVICE	1
32027120	VALVE, MANUAL DRAIN	1
46821641	KIT, VIBRATION MOUNT - HONDA KOHLER TANK MOUNTED UNITS	1
32209165	BRACKET, TANK MOUNTING - BASEPLATE MOUNTED UNITS	2
32034134	BOLT, U - BASEPLATE MOUNTED UNITS	2
<b>BASEPLATE UNIT GROUP</b>		
32140576	SUBBASE, KOHLER BASEPLATE MOUNTED UNITS	1
32309221	SUBBASE, HONDA BASEPLATE MOUNTED UNITS	1
95944633	BUSHING, 3/4 X 1/4 (BASEPLATE MOUNTED UNITS)	2
32178998	BUSHING, REDUCING - 3/4 X 1/2 (BASEPLATE MOUNTED UNITS)	1
95043766	CAPSCREW, HEX - 3/8-16 X 1-1/2 (BASEPLATE MOUNTED UNITS)	4
95675526	LOCKWASHER, 5/16 (BASEPLATE MOUNTED UNITS)	4
39128558	NUT, WHIZ-LOCK - 5/16-18 (BASEPLATE MOUNTED UNITS)	4
<b>BELTGUARD GROUP</b>		
32308124	BACK, BELTGUARD - KOHLER UNITS	1
32308124	BACK, BELTGUARD - HONDA UNITS	1
23308116	FRONT, BELTGUARD - KOHLER UNITS	1
32308116	FRONT, BELTGUARD - HONDA UNITS	1
23094329	BRACE, BELTGUARD - LP - KOHLER UNITS	1
32308686	BRACE, BELTGUARD - HONDA UNITS	1
32281065	BRACE, BELTGUARD - HP - KOHLER UNITS	1
32000705	SCREW, SELF-TAPPING - 3/8-16 X 3/4	VAR
32187056	SCREW, SELF-DRILLING - 1/4-14	VAR

CCN	DESCRIPTION	QTY
<b>ENGINE &amp; DRIVE GROUP</b>		
23632821	ENGINE, KOHLER - WITH ALTERNATOR	1
23753361	ENGINE, HONDA	1
32310153	BELT, DRIVE - KOHLER UNITS	1
32310153	BELT, DRIVE - HONDA UNITS	1
81297475	SHEAVE, KOHLER ENGINE	1
81297475	SHEAVE, HONDA ENGINE	1
32042236	TENSIONER, BELT - KOHLER & HONDA UNITS	1
30219802	CLIP, BELT TIGHTENER - KOHLER & HONDA UNITS	1
32308140	BRACE, ENGINE / COMPRESSOR - HONDA UNITS	1
32308140	BRACE, ENGINE / COMPRESSOR - KOHLER UNITS	1
95203444	KEY, KOHLER & HONDA UNITS	1
<b>MISCELLANEOUS HARDWARE &amp; FITTINGS</b>		
95391116	CAPSCREW, 3/8-16 X 2 - KOHLER & HONDA UNITS	1
95077053	CAPSCREW, 3/8-16 X 1-1/2 - KOHLER & HONDA UNITS	2
39128566	NUT, WHIZ-LOCK - 3/8-16 (KOHLER / HONDA)	3
95423695	NUT, HEX - 1/2 - KOHLER & HONDA UNITS	1
54370523	NUT, LOCK -3/8-16 (KOHLER & HONDA)	1
<b>COMPRESSOR PUMP GROUP</b>		
32313322	PUMP, BARE COMPRESSOR (INCL STD FILTER & INTERCOOLER SAFETY / RELIEF VALVE)	1
95114476	CAPSCREW, HEX - 1/2-13 X 1-1/2	4
95716890	LOCKWASHER, SPRING - 1/2	4

## SERVICE AND ACCESSORY PARTS AND KITS

### SERVICE

#### START-UP KITS

Each Start-Up Kit contains the necessary quantities of All-Season Select Lubricant and standard air filter element(s) to start-up and maintain your compressor for the first year. Start-Up Kits for engine driven models include a replacement engine air filter, engine oil filter and engine oil. See the engine manufacturer's instructions for more detailed engine care information.

CCN	DESCRIPTION	MODELS
32305880	KIT, START-UP	ELECTRIC MOTOR MODELS
32312936	KIT, START-UP	HONDA ENGINE MODELS
46821567	KIT, START-UP	KOHLER ENGINE MODELS

#### MAINTENANCE PAKS

Maintenance paks contain all the parts necessary for one complete routine maintenance of your compressor. All-Season Select Lubricant, air filter elements and gaskets are included.

CCN	DESCRIPTION
38485330	PAK, MAINTENANCE

#### STEP SAVER KITS

Step Saver Kits provide all the parts required to perform common repair or scheduled maintenance tasks, such as piston ring replacement or valve replacement.

CCN	DESCRIPTION
32301426	KIT, VALVE
32301517	KIT, RING
32301509	KIT, BEARING & ROD*
32301434	KIT, GASKET

\* To repair grooved crankshaft journals, order Shaft Repair Kit 32499949 along with the Bearing & Rod Kit.

#### OVERHAUL KITS

CCN	DESCRIPTION
32319469	KIT, OVERHAUL

#### RECOMMENDED SPARES

ITEM	CCN	DESCRIPTION	QTY
1-15	32247884	GASKET, FRAME END COVER	1
1-20	32247850	O-RING, OIL FILLER PLUG	1
1-23	32499923	L SEAL	1
1-24	32247876	GASKET, SHAFT END COVER	1
REF.	32310799	ASSEMBLY, VALVE PLATE - HIGH PRESSURE	1
REF.	32248205	ASSEMBLY, VALVE PLATE	1

ITEM	CCN	DESCRIPTION	QTY
4-1	32496598	PISTON, AIR - COMPLETE - 2.5" HIGH PRESSURE	1
4-5	32307910	SET, PISTON RING - 2.5"	1
4-6	32247868	GASKET, CYLINDER/FLANGE	2
4-10	32246878	O-RING, VALVE PLATE - HIGH PRESSURE	1
4-12	32247926	GASKET, AIRHEAD - HIGH PRESSURE	1
4-14	32496564	PISTON, AIR - COMPLETE - 4" - LOW PRESSURE	1
4-18	32307928	SET, PISTON RING - 4"	1
4-20	32248197	GASKET, VALVE PLATE - LOW PRESSURE	1
4-22	32248189	GASKET, AIRHEAD - LOW PRESSURE	1

#### GASOLINE ENGINE PARTS

CCN	DESCRIPTION	MODELS
23666852	FILTER, AIR	KOHLER ENGINE MODELS
23666845	PRE FILTER	KOHLER ENGINE MODELS

#### COMPRESSOR LUBRICANT

All Season T30 Select is a synthetic fluid specifically formulated to protect and preserve your **Ingersoll Rand** small reciprocating air compressor through a broad range of temperature as well as better start-up in colder climate conditions. With its outstanding formulation, All Season T30 Select enables you to run 2000 hours of service between changeouts under normal operating conditions.

PART NO.	DESCRIPTION
32318875	LUBRICANT, ALL SEASON SELECT - QUART
32318883	LUBRICANT, ALL SEASON SELECT - CASE OF 12 QUARTS

**ACCESSORIES****INSTALLATION KITS**

Each Installation Kit combines vibration pads and flexible hose into one kit. The kit consists of (4) 5 X 5 vibration pads and (1) ¾ X 13 flexible hose.

CCN	DESCRIPTION
38002242	KIT, INSTALLATION

**SILENCERS**

Silencers provide excellent noise reduction (2 DBA or 35% reduction in operating noise level) with no pressure drop.

CCN	DESCRIPTION
32323552	SILENCER

**VIBRATION PADS**

Vibration pads are designed to absorb 40-60% of the sound and vibration of your compressor.

CCN	DESCRIPTION
32320681	PAD, VIBRATION - 4 X 4 STEEL PLATE
32320699	PAD, VIBRATION - 5 X 5 STEEL PLATE
32321002	PAD, VIBRATION - 4 X 4 CORK
32321028	PAD, VIBRATION - 5 X 5 CORK
32321010	PAD, VIBRATION - 6 X 6 CORK

**FLEX HOSES**

Flex Hoses give flexibility to compressed air piping systems. They provide thermal growth absorption, misalignment compensation, vibration isolation, reduced stress forces on compressor housings and noise reduction.

CCN	DESCRIPTION
32323586	HOSE, FLEX — ½ X 11
38335295	HOSE, FLEX — ½ X 36
38338778	HOSE, FLEX — ½ X 72
32323594	HOSE, FLEX — ¾ X 13
38323309	HOSE, FLEX — ¾ X 24
38335303	HOSE, FLEX — ¾ X 36
38338638	HOSE, FLEX — ¾ X 72
32323602	HOSE, FLEX — 1 X 14
38334033	HOSE, FLEX — 1 X 24
38335311	HOSE, FLEX — 1 X 36
38338646	HOSE, FLEX — 1 X 72
32323610	HOSE, FLEX—1-½ X 18
38323317	HOSE, FLEX—1-½ X 20-½
38323325	HOSE, FLEX—1-½ X 24

**Y-STRAINERS**

Y-Strainers are designed to prevent foreign particles and sludge from moving downstream.

CCN	DESCRIPTION
32323628	Y-STRAINER, 1/4
32323636	Y-STRAINER, 1/2

**INTERCOOLER SEPARATOR KITS**

Intercooler Separator Kits remove condensate between the first and second stages.

CCN	DESCRIPTION
32337826	KIT, INTERCOOLER SEPARATOR

**EXTERNAL CRANKCASE HEATER KITS**

External crankcase heaters are recommended when ambient temperatures are consistently below 32°F (0°C). An easy-to-install external crankcase heater kit is intended for aftermarket use. Two kits may be required for some applications.

CCN	DESCRIPTION
97330385	KIT, EXTERNAL CRANKCASE HEATER

**CONSTANT SPEED CONVERSION KITS**

Extend the life of your compressor in hot and humid operating conditions by installing Constant Speed Control.

CCN	DESCRIPTION	MODELS
81294621	KIT, CONSTANT SPEED CONVERSION	2475N5/7.5 W/4-FOOT RECEIVER
81294639	KIT, CONSTANT SPEED CONVERSION	2475N7.5 W/3-FOOT RECEIVER
81294688	KIT, CONSTANT SPEED CONVERSION	2475D5
81295867	KIT, CONSTANT SPEED CONVERSION	2475N5 W/3-FOOT RECEIVER

**BATTERY SUPPORT KITS**

The Battery Support Kit will allow a battery to be conveniently mounted on the Kohler, Honda and Kawasaki engine driven compressors. The kit contains the battery support, battery hold-down frame and attachment hardware.

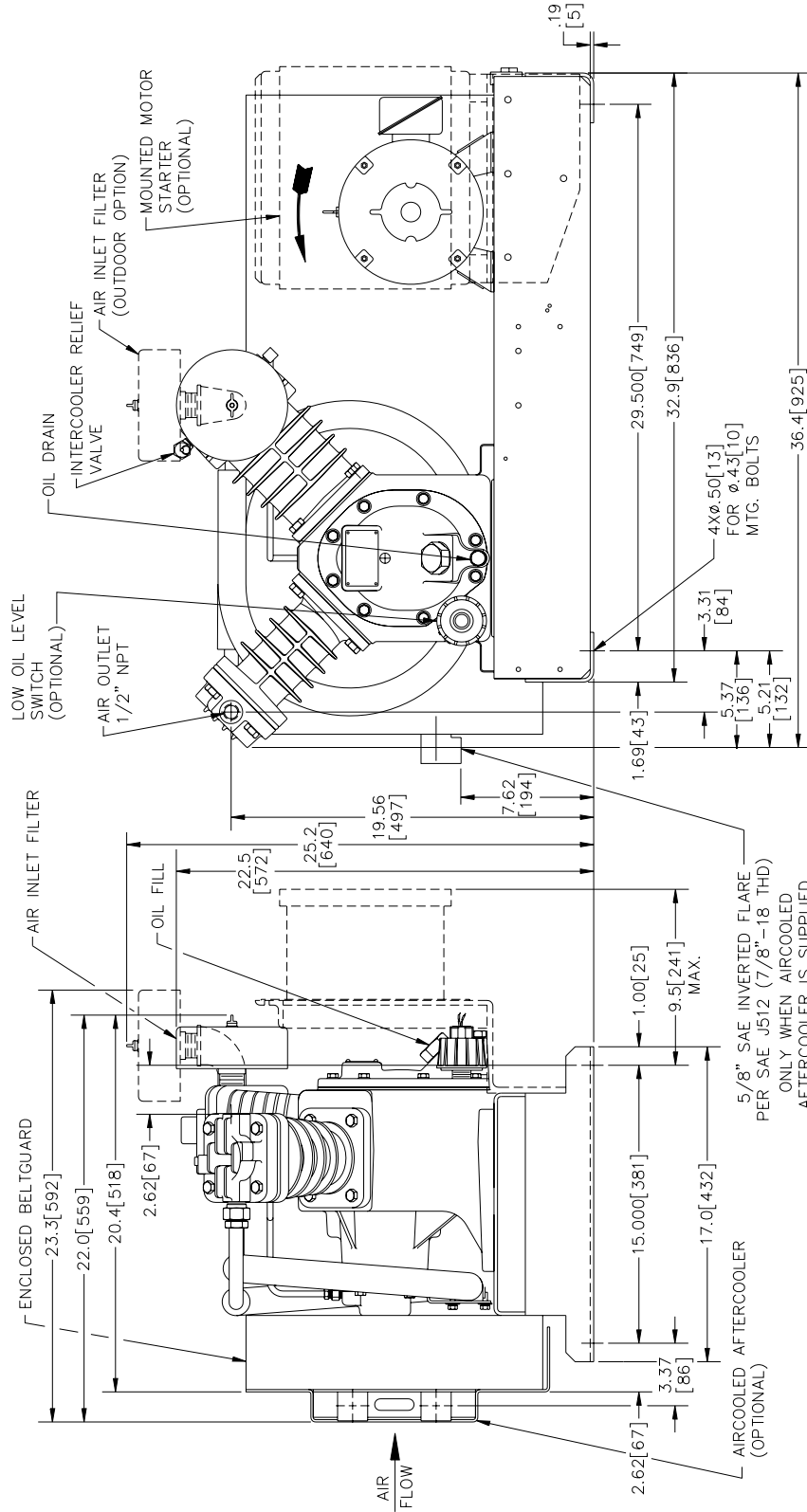
CCN	DESCRIPTION	MODELS
32095663	KIT, BATTERY SUPPORT	KOHLER, HONDA, ENGINE MODELS

**VINYL COVERS**

Flame retardant vinyl covers are designed to protect gasoline engine compressors from the elements.

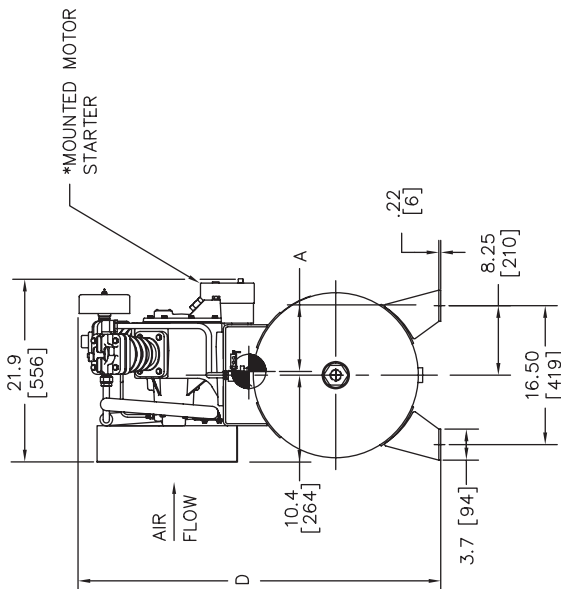
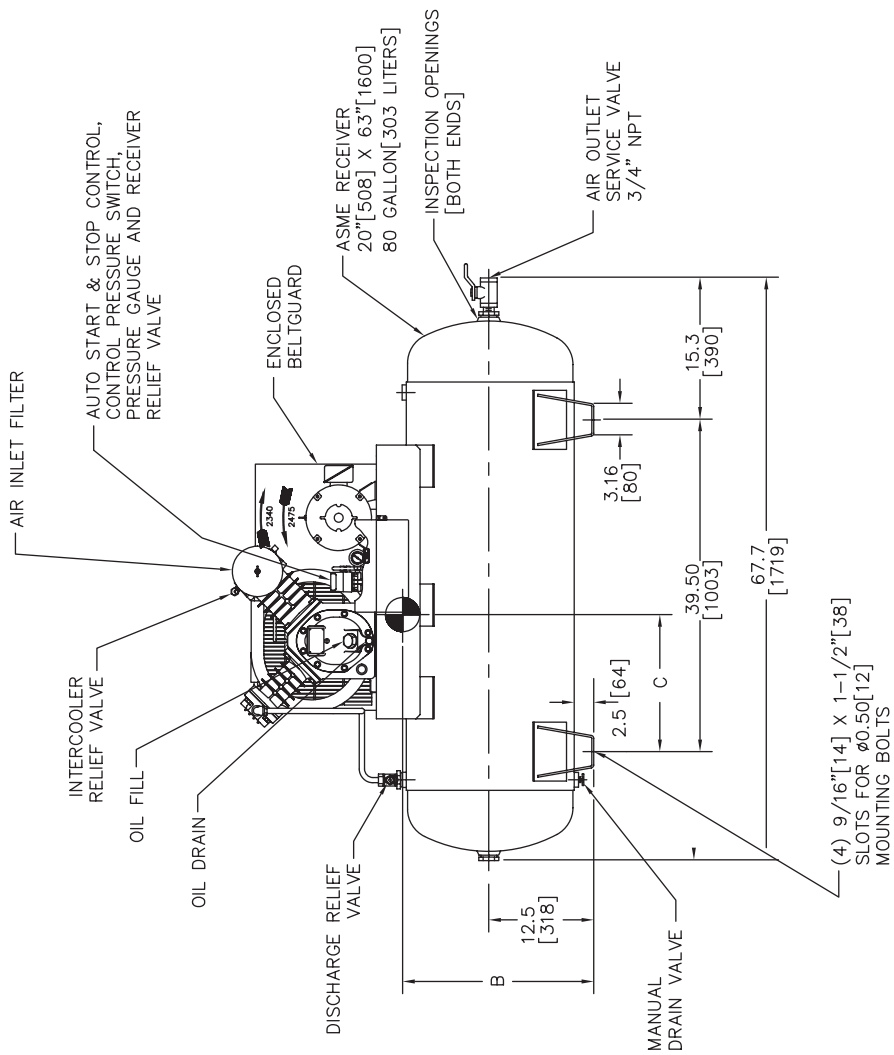
CCN	DESCRIPTION	MODELS
97339337	COVER, VINYL	KOHLER, HONDA, ENGINE MODELS





**BASEPLATE MOUNTED UNIT WITH ELECTRIC MOTOR**

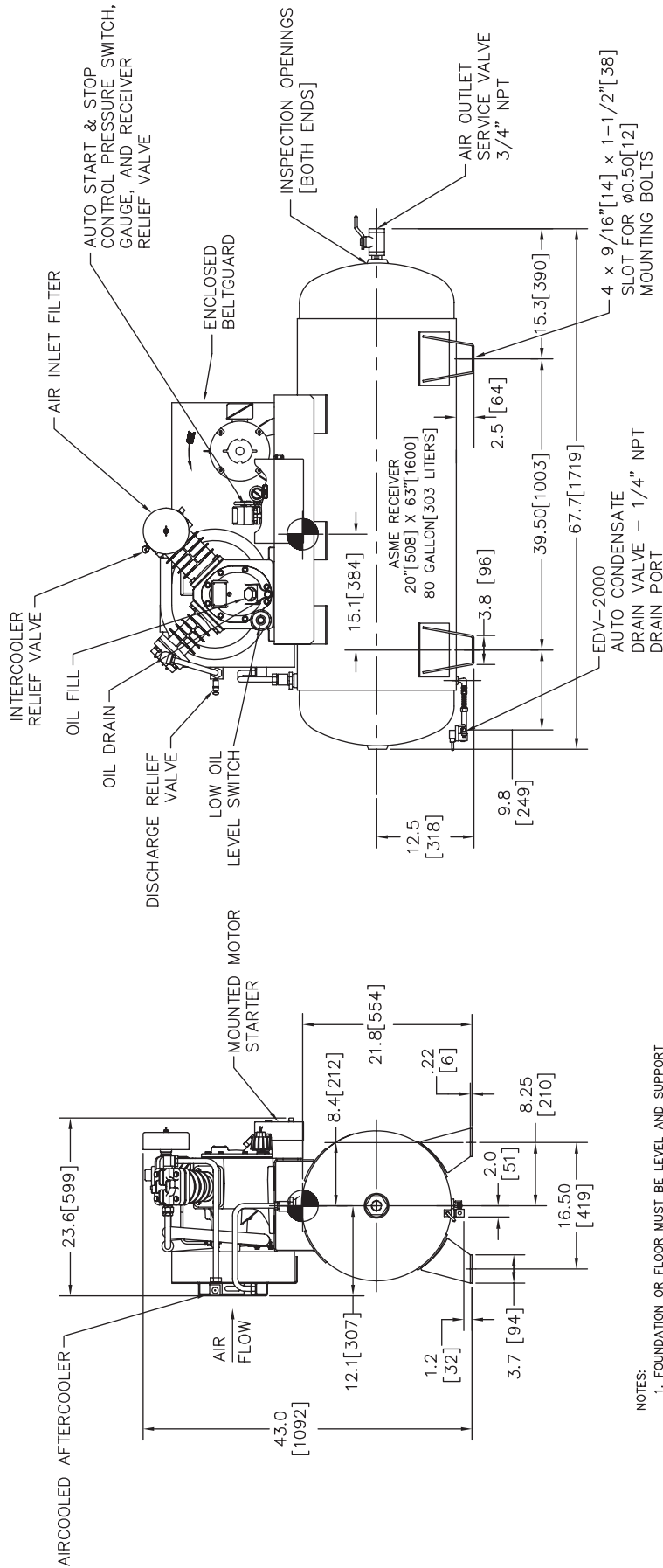
- NOTES:
1. FOUNDATION OR FLOOR MUST BE LEVEL AND SUPPORT ALL FEET EQUALLY; IF NECESSARY SHIM OR GROUT THE FOURTH FOOT.
  2. FOUNDATION BOLTS SHOULD PROJECT THRU NUTS AT LEAST 1/2" [13] TO ALLOW FOR LEVELING.
  3. ALLOW AT LEAST 12.00" [305] CLEARANCE MINIMUM ON ALL SIDES FOR PROPER AIR CIRCULATION.
  4. APPROXIMATE NET WEIGHT: 350 LBS. [159kg]
  5. ALL UNSPECIFIED DIMENSIONS: XXX = .125 [3]  
XX = .25 [6]  
X = .50 [13]
  6. DIMENSIONS IN [ ] ARE MILLIMETER DIMENSIONS UNLESS OTHERWISE SPECIFIED.



**80-GALLON HORIZONTAL TANK MOUNTED UNIT**

(4) 9/16" [14] X 1-1/2" [38] MOUNTING BOLTS

- NOTES:
1. FOUNDATION OR FLOOR MUST BE LEVEL AND SUPPORT ALL FEET EQUALLY; IF NECESSARY SHIM OR GROUT THE FOURTH FOOT.
  2. FOUNDATION BOLTS SHOULD PROJECT THRU NUTS AT LEAST 1/2" [13] TO ALLOW FOR LEVELING.
  3. ALLOW AT LEAST 12.00" [305] CLEARANCE MIN. ON ALL SIDES FOR PROPER AIR CIRCULATION.
  4. DIMENSIONS IN [ ] ARE MILLIMETER DIMENSIONS UNLESS OTHERWISE SPECIFIED.
  5. \* - 2340D5, SINGLE PHASE SUPPLIED LESS STARTER WITH OFF/AUTO PRESSURE SWITCH.
  6. ALL UNSPECIFIED TOLERANCES:  
XX = ±.25 [6]  
X = ±.50 [13]
  7. APPROXIMATE NET WEIGHT: 2340D5 = 480 LBS [218 KG]  
2475D5 = 500 LBS [227 KG]  
2475D7.5 = 525 LBS [238 KG]



NOTES:

1. FOUNDATION OR FLOOR MUST BE LEVEL AND SUPPORT ALL FEET EQUALLY; IF NECESSARY SHIM OR GROUT THE FOURTH FOOT.
2. FOUNDATION BOLTS SHOULD PROJECT THRU NUTS AT LEAST 1/2" [13] TO ALLOW FOR LEVELING.
3. ALLOW AT LEAST 12" [305] CLEARANCE MIN. ON ALL SIDES FOR PROPER AIR CIRCULATION.
4. DIMENSIONS IN [ ] ARE MILLIMETER DIMENSIONS UNLESS OTHERWISE SPECIFIED.
5. ALL UNSPECIFIED TOLERANCES:  
 XX = ±.25 [6]  
 X = ±.50 [13]
6. APPROXIMATE NET WEIGHT: 24750.5 = 556 LBS [252 KG]  
 24750.5 = 604 LBS [273 KG]

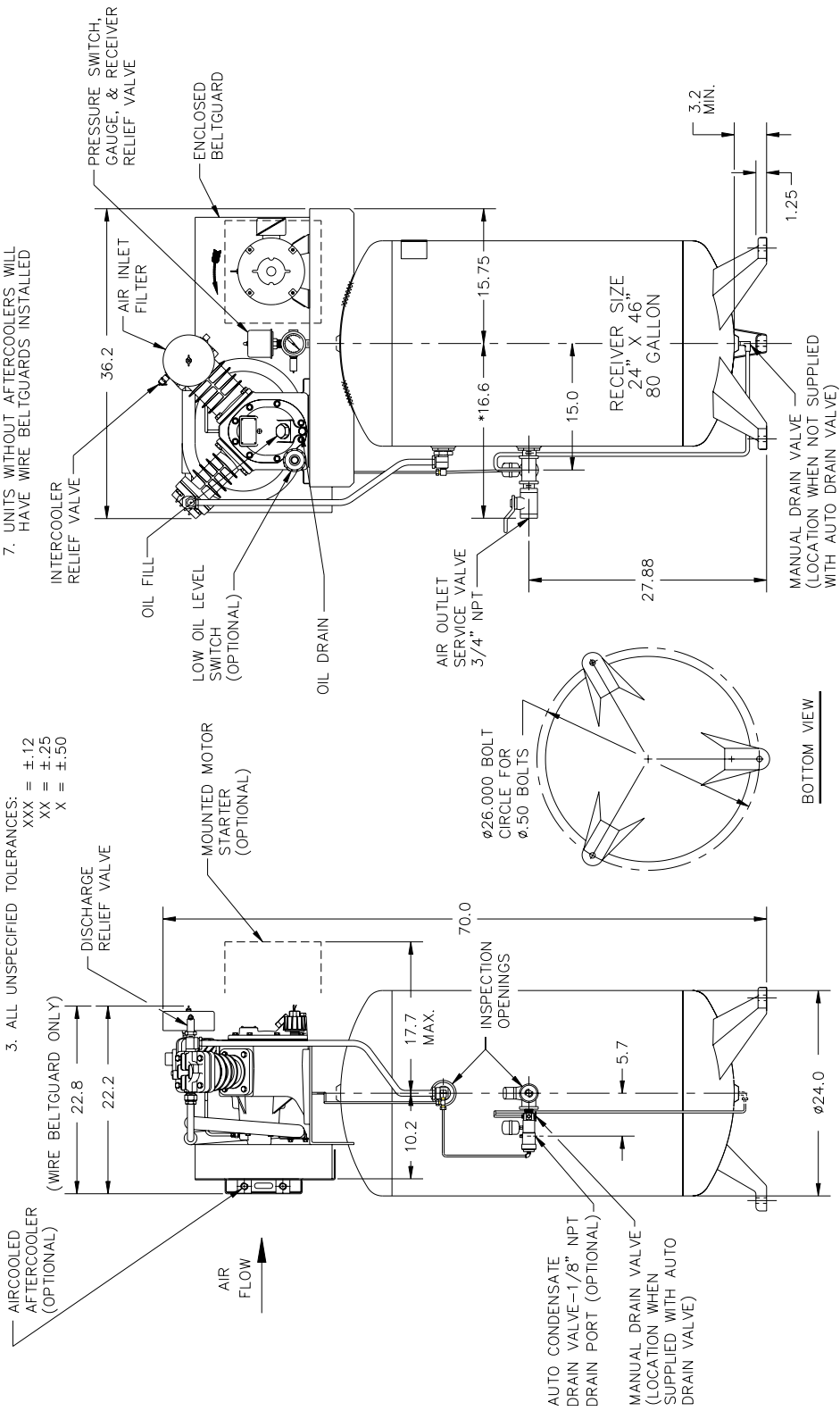
80-GALLON HORIZONTAL TANK MOUNTED UNIT



NOTES:

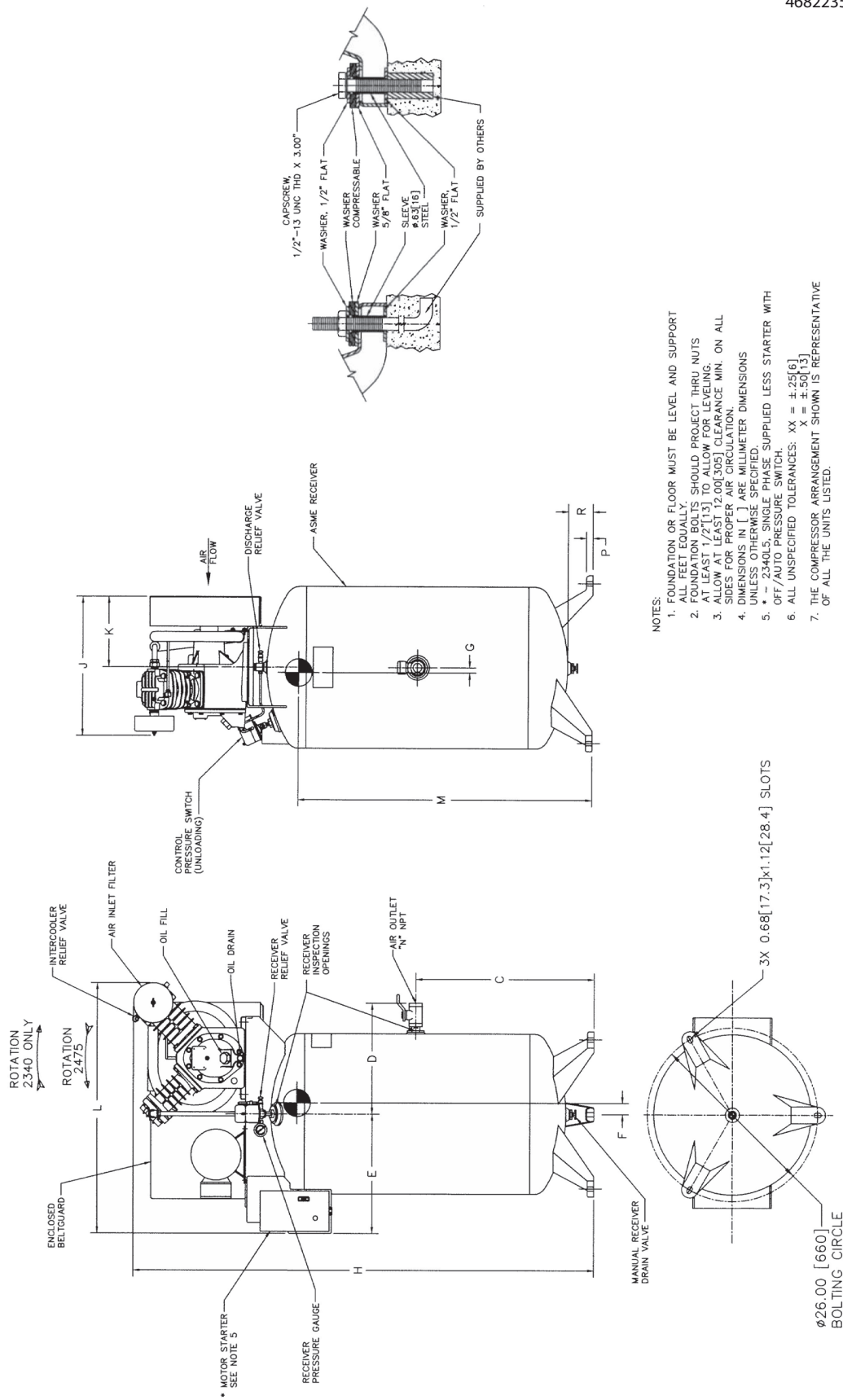
1. FOUNDATION OR FLOOR MUST BE LEVEL AND SUPPORT ALL FEET EQUALLY; IF NECESSARY SHIM OF GROUT THE THIRD FOOT.
2. FOUNDATION BOLTS SHOULD PROJECT THRU NUTS AT LEAST 1/2" TO ALLOW FOR LEVELING.
3. ALL UNSPECIFIED TOLERANCES:  
 XXX = ±12  
 XX = ±25  
 X = ±50

4. ALLOW AT LEAST 12.00" CLEARANCE MIN. ON ALL SIDES FOR PROPER AIR CIRCULATION.
5. \* = ADD 3.00" WHEN AUTOMATIC CONDENSATE DRAIN VALVE IS SUPPLIED.
6. APPROXIMATE WEIGHT 500 LBS.
7. UNITS WITHOUT AFTERCOOLERS WILL HAVE WIRE BELTGUARDS INSTALLED



**80-GALLON VERTICAL TANK MOUNTED UNIT — FULLY PACKAGED**

46822359

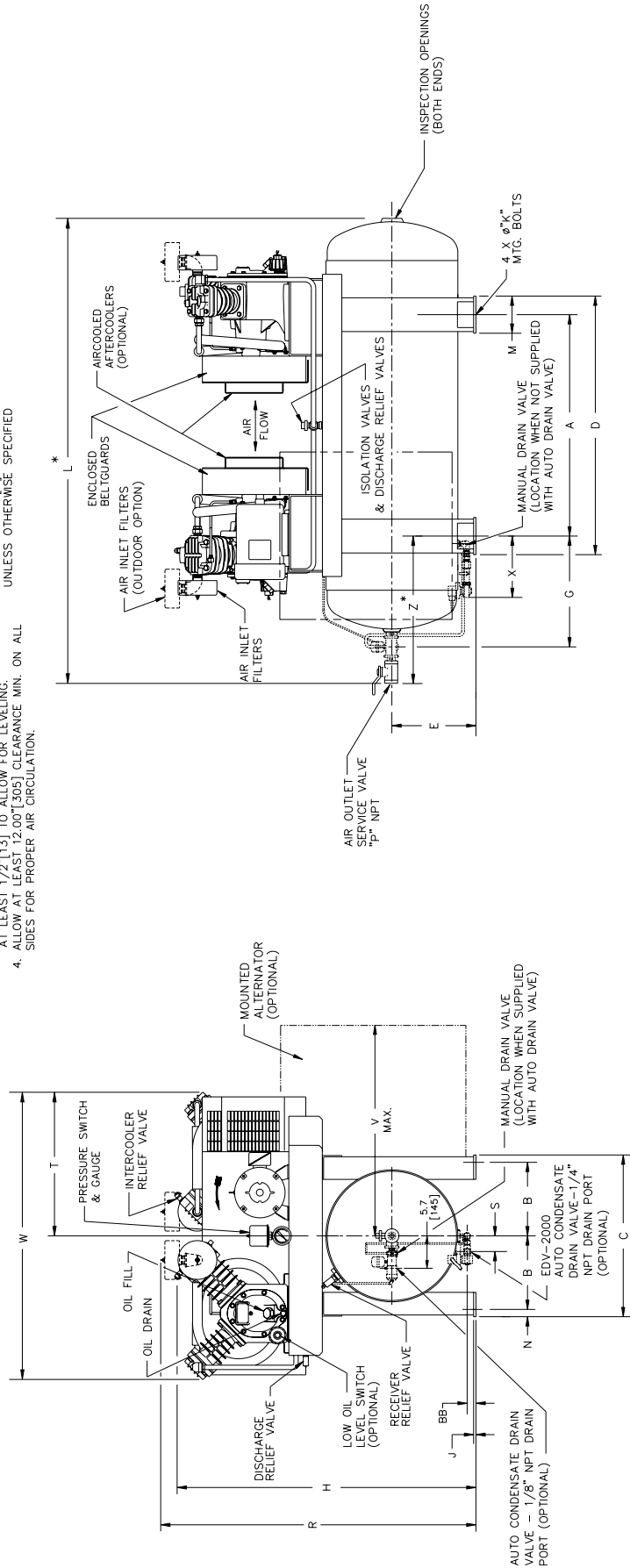


- NOTES:
1. FOUNDATION OR FLOOR MUST BE LEVEL AND SUPPORT ALL FEET EQUALLY.
  2. FOUNDATION BOLTS SHOULD PROJECT THRU NUTS AT LEAST 1/2" [12.7] TO ALLOW FOR LEVELING.
  3. ALLOW AT LEAST 2" [50.8] CLEARANCE MIN. ON ALL SIDES FOR PROPER AIR CIRCULATION.
  4. DIMENSIONS IN [ ] ARE MILLIMETER DIMENSIONS UNLESS OTHERWISE SPECIFIED.
  5. \* - 2340L5, SINGLE PHASE SUPPLIED LESS STARTER WITH OFF/AUTO PRESSURE SWITCH.
  6. ALL UNSPECIFIED TOLERANCES: XX = ±.25[6] X = ±.50[13]
  7. THE COMPRESSOR ARRANGEMENT SHOWN IS REPRESENTATIVE OF ALL THE UNITS LISTED.

80-GALLON VERTICAL TANK MOUNTED UNIT

NOTES:

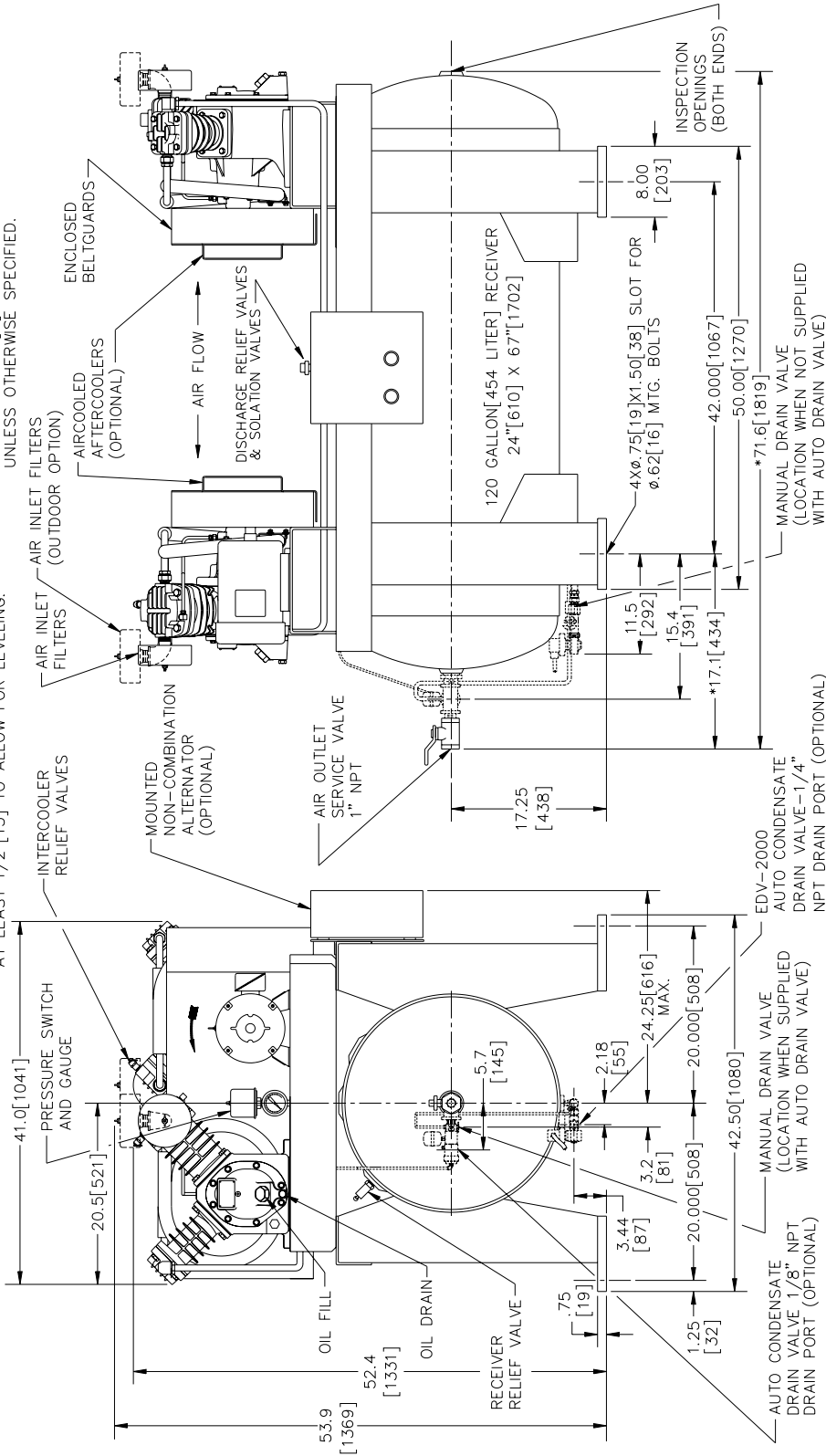
1. FOUNDATION OR FLOOR MUST BE LEVEL AND SUPPORT ALL FEET EQUALLY; IF NECESSARY SHIM OR GROUT THE FOURTH FOOT.
2. THE COMPRESSOR ARRANGEMENT SHOWN IS REPRESENTATIVE OF ALL THE UNITS LISTED. SHOWN BUT WILL NOT INFER THE DIMENSION. FOUNDATION BOLTS SHOULD PROJECT THRU NUTS AT LEAST 1/2" (13) TO ALLOW FOR LEVELING.
3. FOUNDATION BOLTS SHOULD PROJECT THRU NUTS AT LEAST 1/2" (13) TO ALLOW FOR LEVELING.
4. ALLOW AT LEAST 12.00" (305) CLEARANCE MIN. ON ALL SIDES FOR PROPER AIR CIRCULATION.
5. \* = ADD ".Y" WHEN AUTOMATIC CONDENSATION DRAIN VALVE IS SUPPLIED.
6. ALL UNSPECIFIED TOLERANCES: XXX = ± .12 [3] XX = ± .25 [6] X = ± .50 [13]
7. UNITS WITHOUT AFTERCOOLERS WILL HAVE WIRE BELT GUARDS.
8. DIMENSIONS IN [ ] ARE MILLIMETER DIMENSIONS UNLESS OTHERWISE SPECIFIED



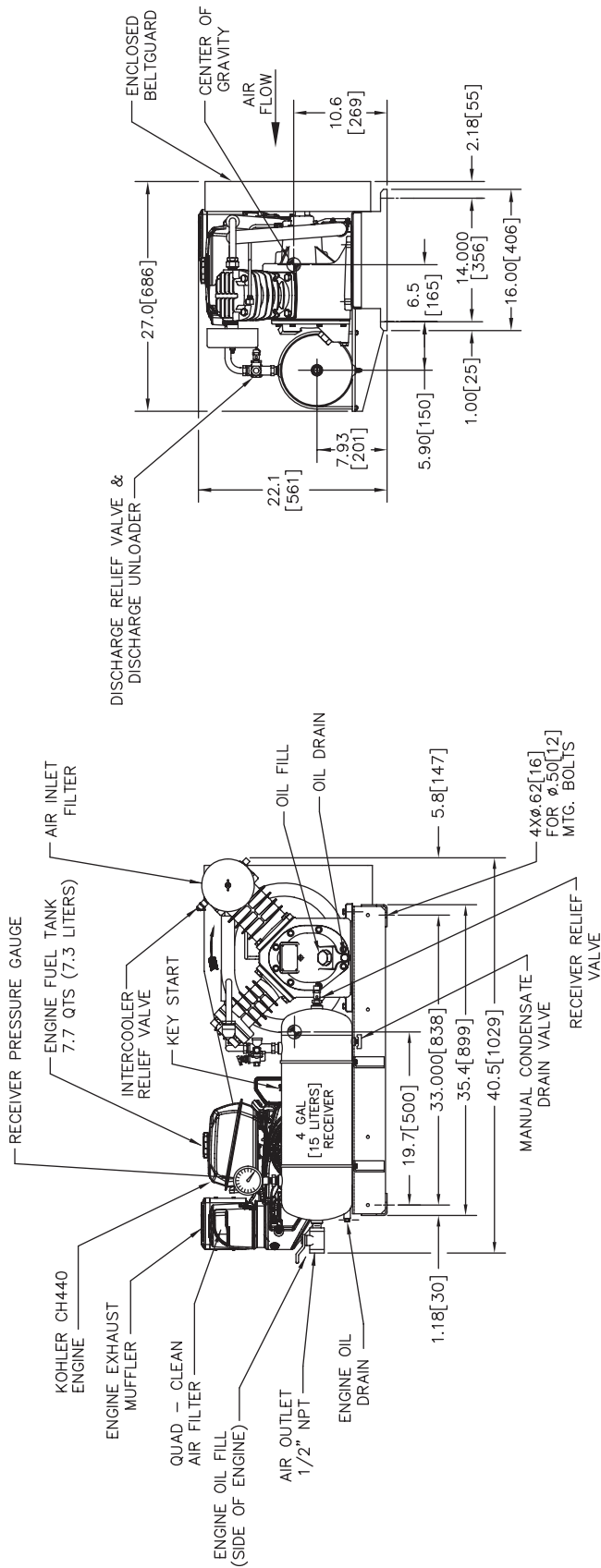
MODEL	NET WT [kg]	RECEIVER SIZE	DIMENSIONS IN INCHES [MM]																					
			A	B	BB	C	D	E	G	H	J	K	L	M	N	P	R	S	T	V	W	X	Y	Z
2-247505	950 [431]	20"x6.3" [508x1600]	34.250 [870]	11.375 [289]	1.50 [38]	25.00 [635]	40.50 [1029]	13.00 [330]	16.2 [411]	46.0 [1168]	.38 [10]	.50 [12]	66.1 [1679]	6.25 [159]	1.13 [29]	3/4" [19.0]	47.5 [1207]	2.18 [55]	22.2 [564]	35.7 [907]	44.5 [1130]	15.87 [403]	3.00 [76]	17.5 [445]
2-2475E5	1500 [690]	24"x6.7" [610x1702]	42.000 [1067]	20.000 [508]	3.44 [87]	42.50 [1080]	50.00 [1270]	17.25 [438]	15.9 [404]	52.6 [1336]	.75 [19]	.82 [21]	75.4 [1913]	8.25 [210]	1.25 [32]	1" [25.4]	54.1 [1374]	2.18 [55]	22.2 [564]	26.7 [678]	44.5 [1130]	11.50 [292]	4.25 [108]	17.6 [447]

TANK MOUNTED DUPLEX UNIT WITH 5 HP MOTORS

- NOTES: 1. FOUNDATION OF FLOOR MUST BE LEVEL AND SUPPORT ALL FEET EQUALLY; IF NECESSARY SHIM OF GROUT THE FOURTH FOOT.  
 2. ACCESSORY ITEMS THAT ARE NOT NECESSARILY SHOWN WILL NOT INCREASE THE OVERALL DIMENSIONS.  
 3. MAXIMUM COMPRESSOR RPM @ 1500.  
 4. FOUNDATION BOLTS SHOULD PROJECT THRU NUTS AT LEAST 1/2"[13] TO ALLOW FOR LEVELING.  
 5. ALLOW AT LEAST 12.00"[305] CLEARANCE MIN. ON ALL SIDES FOR PROPER AIR CIRCULATION.  
 6. \* = ADD 3.50[89] WHEN AUTOMATIC CONDENSATE DRAIN VALVE IS SUPPLIED  
 7. ALL UNSPECIFIED TOLERANCES: XXX = ±.125[3]  
 XX = ±.25[6]  
 X = ±.50[13]  
 8. DIMENSIONS IN [ ] ARE MILLIMETER DIMENSIONS UNLESS OTHERWISE SPECIFIED.



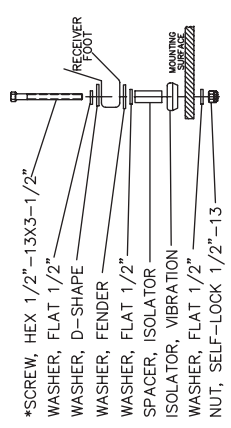
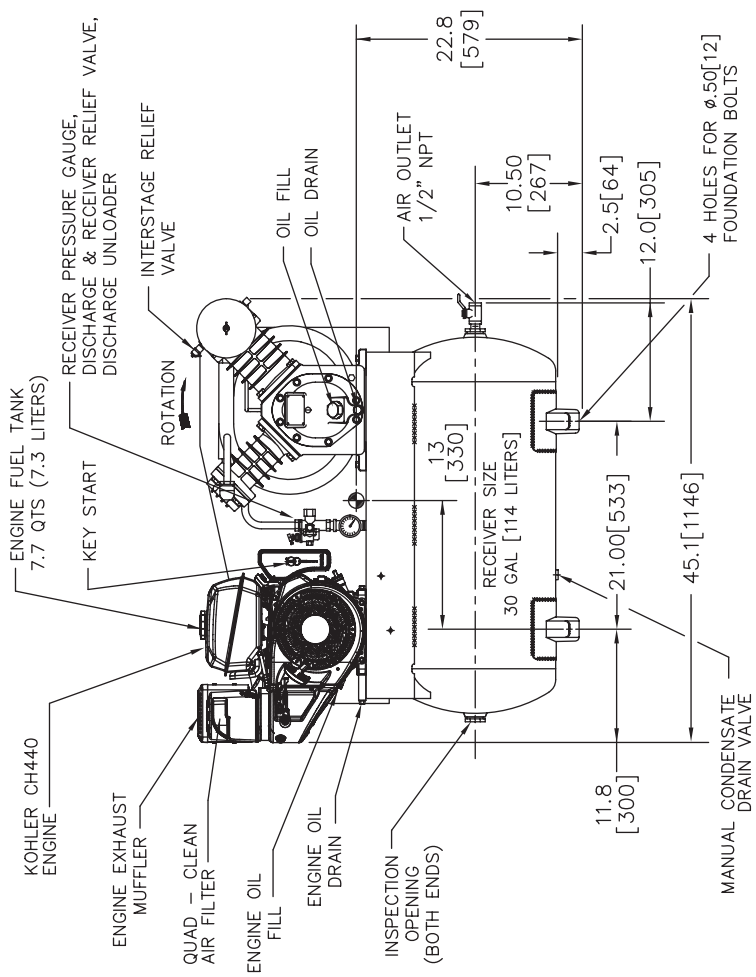
TANK MOUNTED DUPLEX UNIT WITH 7.5 HP MOTORS



BASEPLATE MOUNTED UNIT WITH KAWASAKI ENGINE

- NOTES:
1. FOUNDATION OR FLOOR MUST BE LEVEL AND SUPPORT ALL FEET EQUALLY; IF NECESSARY SHIM OR GROUT THE FOURTH FOOT.
  2. FOUNDATION BOLTS SHOULD PROJECT THRU NUTS AT LEAST 1/2" [13] TO ALLOW FOR LEVELING.
  3. ALLOW AT LEAST 12.00 [305] CLEARANCE MIN. ON ALL SIDES FOR PROPER AIR CIRCULATION.
  4. ALL UNSPECIFIED TOLERANCES: XXX = ±.12 [3] XX = ±.25 [6] X = ±.50 [13]
  5. DIMENSIONS IN [ ] ARE MILLIMETER DIMENSIONS UNLESS OTHERWISE SPECIFIED.
  6. WEIGHT: APPROX. 260 LBS. [118 KG]

1. FOUNDATION OR FLOOR MUST BE LEVEL AND SUPPORT ALL FEET EQUALLY; IF NECESSARY SHIM OR GROUT THE FOURTH FOOT.
2. FOUNDATION BOLTS SHOULD PROJECT THRU NUTS AT LEAST 1/2" [13] TO ALLOW FOR LEVELING.
3. ALLOW AT LEAST 12.00 [305] CLEARANCE MIN. ON ALL SIDES FOR PROPER AIR CIRCULATION.



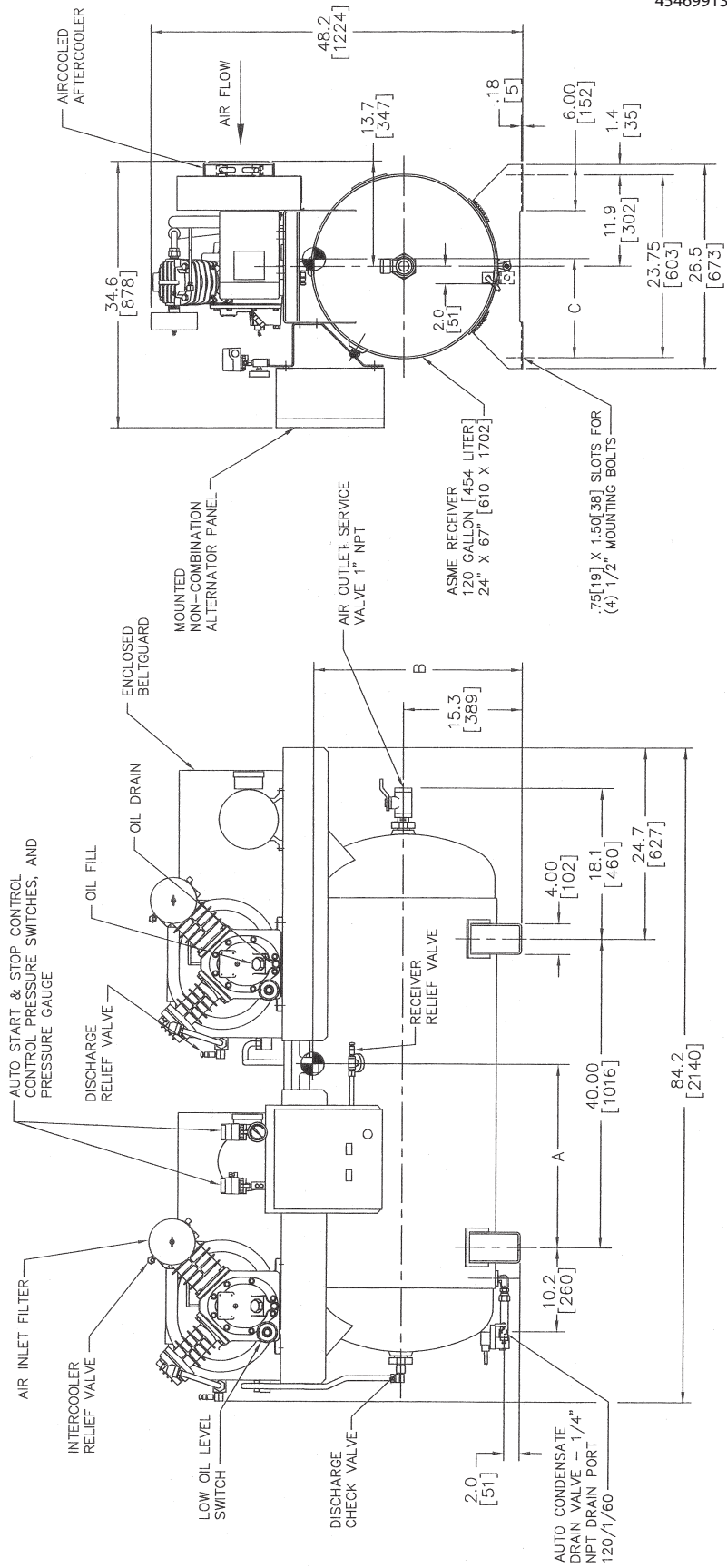
NOTES:

1. FOUNDATION OR FLOOR MUST BE LEVEL AND SUPPORT ALL FEET EQUALLY; IF NECESSARY SHIM OR GROUT THE FOURTH FOOT.
2. FOUNDATION BOLTS SHOULD PROJECT THRU NUTS AT LEAST 1/2"[13] TO ALLOW FOR LEVELING.
3. ALLOW AT LEAST 12.00[305] CLEARANCE MIN. ON ALL SIDES FOR PROPER AIR CIRCULATION.
4. ALL UNSPECIFIED TOLERANCES: XXX = ±.12[3]  
XX = ±.25[6]  
X = ±.50[13]

5. DIMENSIONS IN [ ] ARE MILLIMETER DIMENSIONS UNLESS OTHERWISE SPECIFIED.
6. DRY WEIGHT: APPROX. 455 LBS [206 KG]
7. COMPRESSOR UNIT TO BE PROPERLY MOUNTED TO SOLID SURFACE USING MOUNTING KIT SUPPLIED. FOR MOUNTING TO CONCRETE FLOORS USE 1/2" CONCRETE ANCHORS (NOT SUPPLIED) IN PLACE OF \*1/2" X 3 1/2" HEX SCREW.

TANK MOUNTED UNIT WITH KOHLER ENGINE

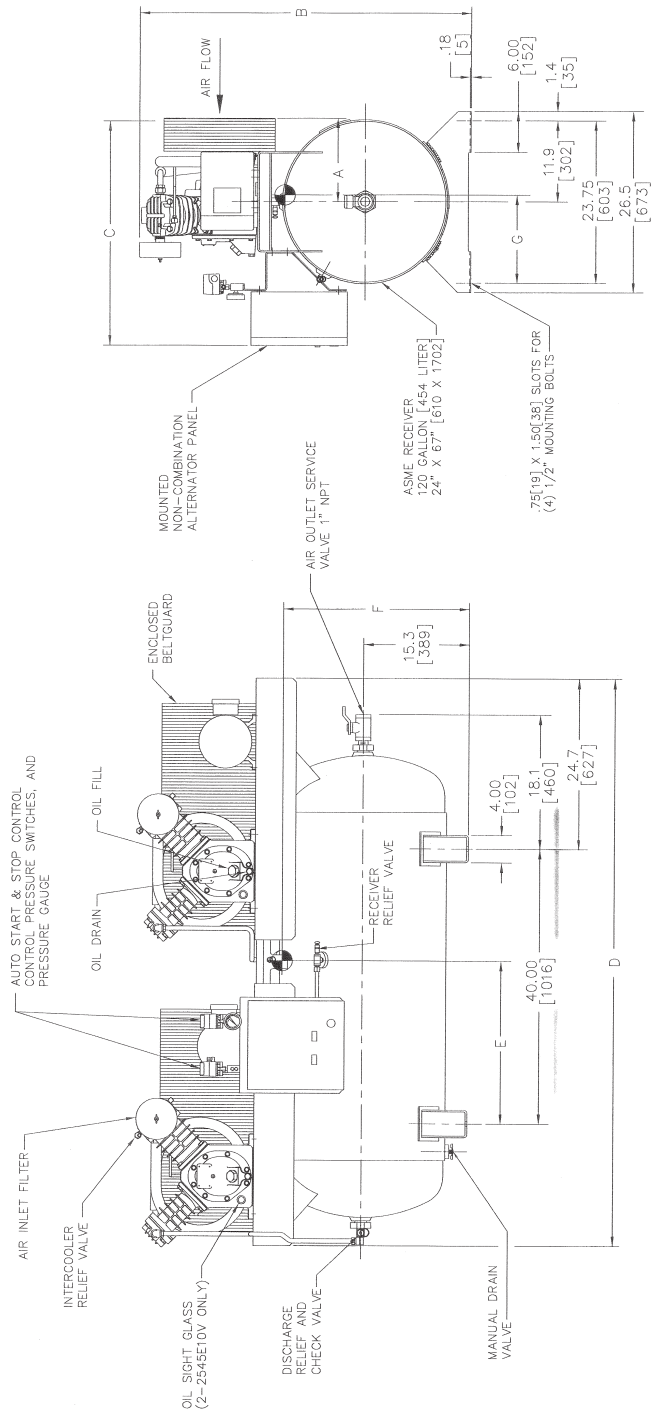
- NOTES:
1. FOUNDATION OR FLOOR MUST BE LEVEL AND SUPPORT ALL EQUIPMENT. IF NECESSARY SHIM OR GROUT THE EQUIPMENT FEET.
  2. FOUNDATION BOLTS SHOULD PROJECT THRU NUTS AT LEAST 1/2" [13] TO ALLOW FOR LEVELING.
  3. ALLOW AT LEAST 12.00 [305] CLEARANCE MIN. ON ALL SIDES FOR PROPER AIR CIRCULATION.
  4. DIMENSIONS IN [ ] ARE MILLIMETER DIMENSIONS UNLESS OTHERWISE SPECIFIED.
  5. ALL UNSPECIFIED TOLERANCES: XX = ±.25 [6] X = ±.50 [13]
  6. THE COMPRESSOR ARRANGEMENT SHOWN IS REPRESENTATIVE OF ALL THE UNITS LISTED.



**BASEPLATE MOUNTED UNIT WITH KAWASAKI ENGINE**

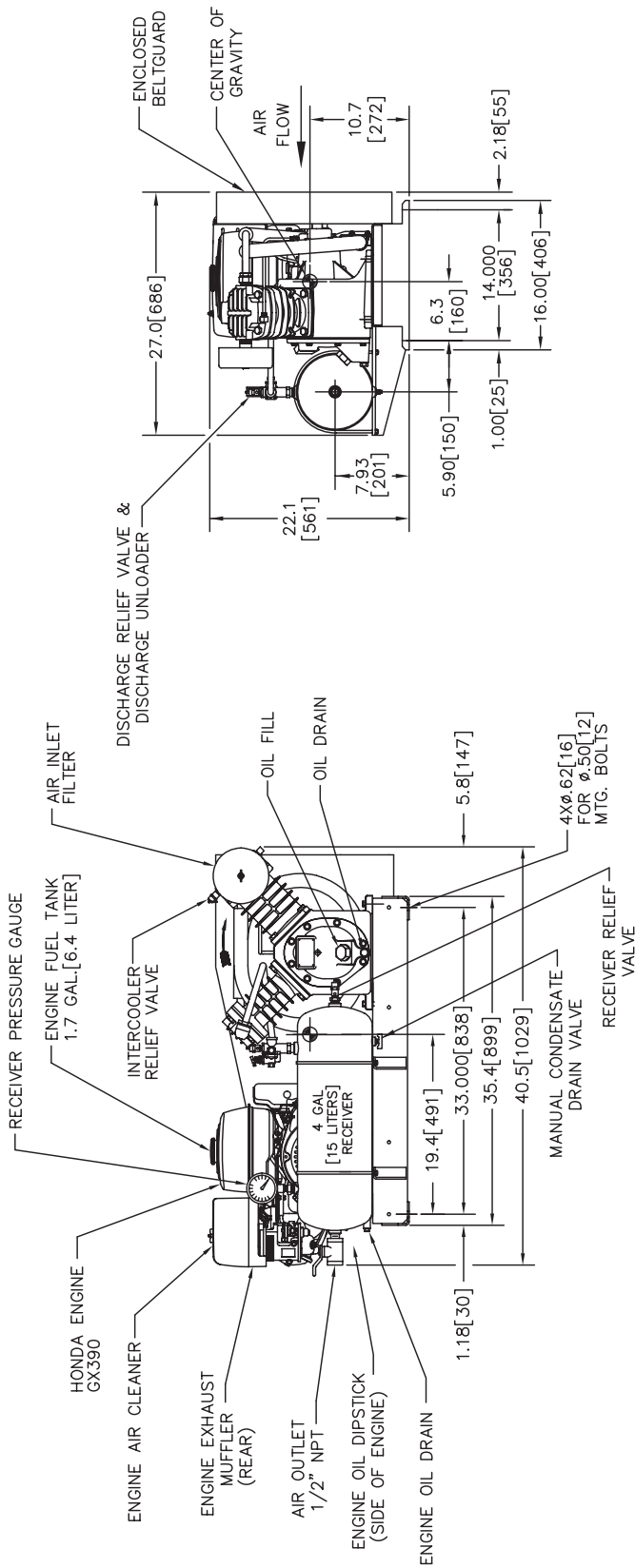
45469830-6A

- NOTES:
1. FOUNDATION OR FLOOR MUST BE LEVEL AND SUPPORT ALL FEET EQUALLY. IF NECESSARY SHIM OR GROUT THE FOURTH FOOT.
  2. FOUNDATION BOLTS SHOULD PROJECT THRU NUTS AND WELDED TO THE BOTTOM OF THE FOUNDATION.
  3. ALLOW AT LEAST 12,000,000 CLEARANCE MIN. ON ALL SIDES FOR PROPER AIR CIRCULATION.
  4. DIMENSIONS IN [ ] ARE MILLIMETER DIMENSIONS UNLESS OTHERWISE SPECIFIED.
  5. ALL UNSPECIFIED TOLERANCES: XX = ±.25(6) X = ±.50(13) Y = ±.10(2.5)
  6. THE COMPRESSOR ARRANGEMENT SHOWN IS REPRESENTATIVE OF ALL THE UNITS LISTED.



**TANK MOUNTED UNIT WITH KAWASAKI ENGINE**





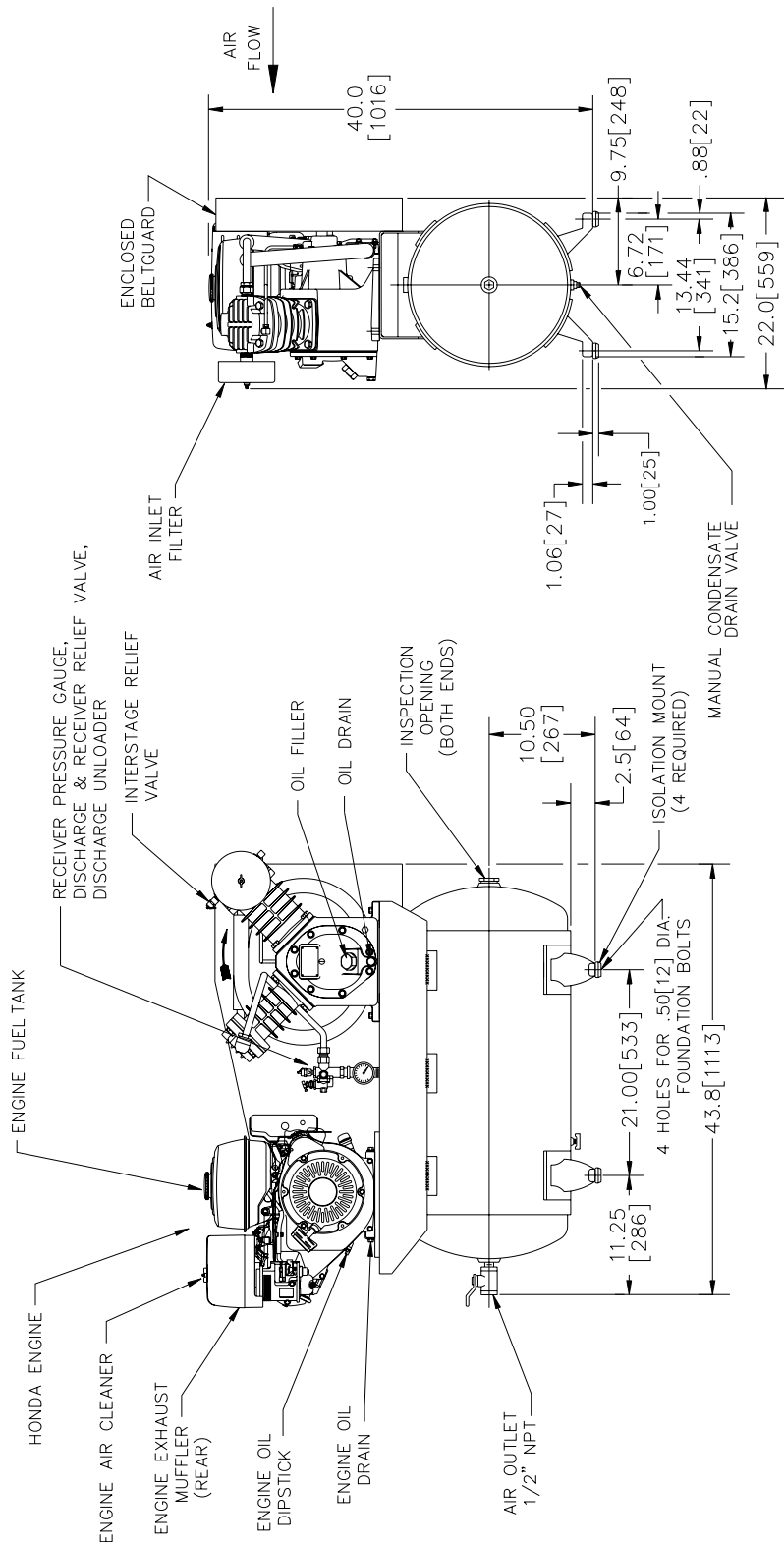
BASEPLATE MOUNTED UNIT WITH HONDA ENGINE

NOTES:

1. FOUNDATION OR FLOOR MUST BE LEVEL AND SUPPORT ALL FEET EQUALLY; IF NECESSARY SHIM OR GROUT THE FOURTH FOOT.
2. FOUNDATION BOLTS SHOULD PROJECT THRU NUTS AT LEAST 1/2" [13] TO ALLOW FOR LEVELING.
3. ALLOW AT LEAST 12.00 [305] CLEARANCE MIN. ON ALL SIDES FOR PROPER AIR CIRCULATION.
4. ALL UNSPECIFIED TOLERANCES: XXX = ±.12 [3]  
XX = ±.25 [6]  
X = ±.50 [13]
5. DIMENSIONS IN [ ] ARE MILLIMETER DIMENSIONS UNLESS OTHERWISE SPECIFIED.
6. WEIGHT: APPROX. 260 LBS. [118 KG]

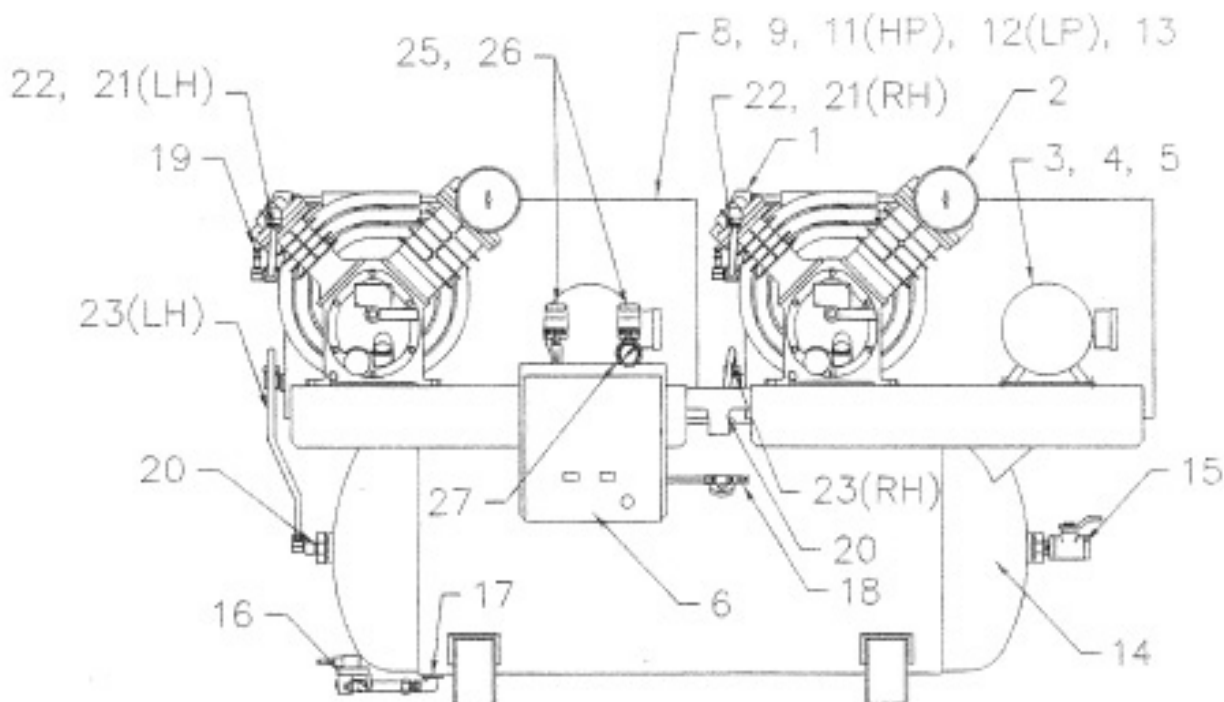
NOTES:

1. FOUNDATION OR FLOOR MUST BE LEVEL AND SUPPORT ALL FEET EQUALLY; IF NECESSARY SHIM OR GROUT THE FOURTH FOOT.
2. FOUNDATION BOLTS SHOULD PROJECT THRU NUTS AT LEAST 1/2"[13] TO ALLOW FOR LEVELING.
3. UNIT MUST BE INSTALLED WITH 32308652 ISOLATION MOUNTS BETWEEN FEET & MOUNTING STRUCTURE.
4. ALLOW AT LEAST 12.00[305] CLEARANCE MIN. ON ALL SIDES FOR PROPER AIR CIRCULATION.
5. ALL UNSPECIFIED TOLERANCES: XX = ±.25[6]  
X = ±.50[13]
6. DIMENSIONS IN [ ] ARE MILLIMETER DIMENSIONS UNLESS OTHERWISE SPECIFIED.



**TANK MOUNTED UNIT WITH HONDA ENGINE**

**SMALL RECIPROCATING COMPRESSORS MODEL NUMBERS WITH SUFFIX - V AND - P**

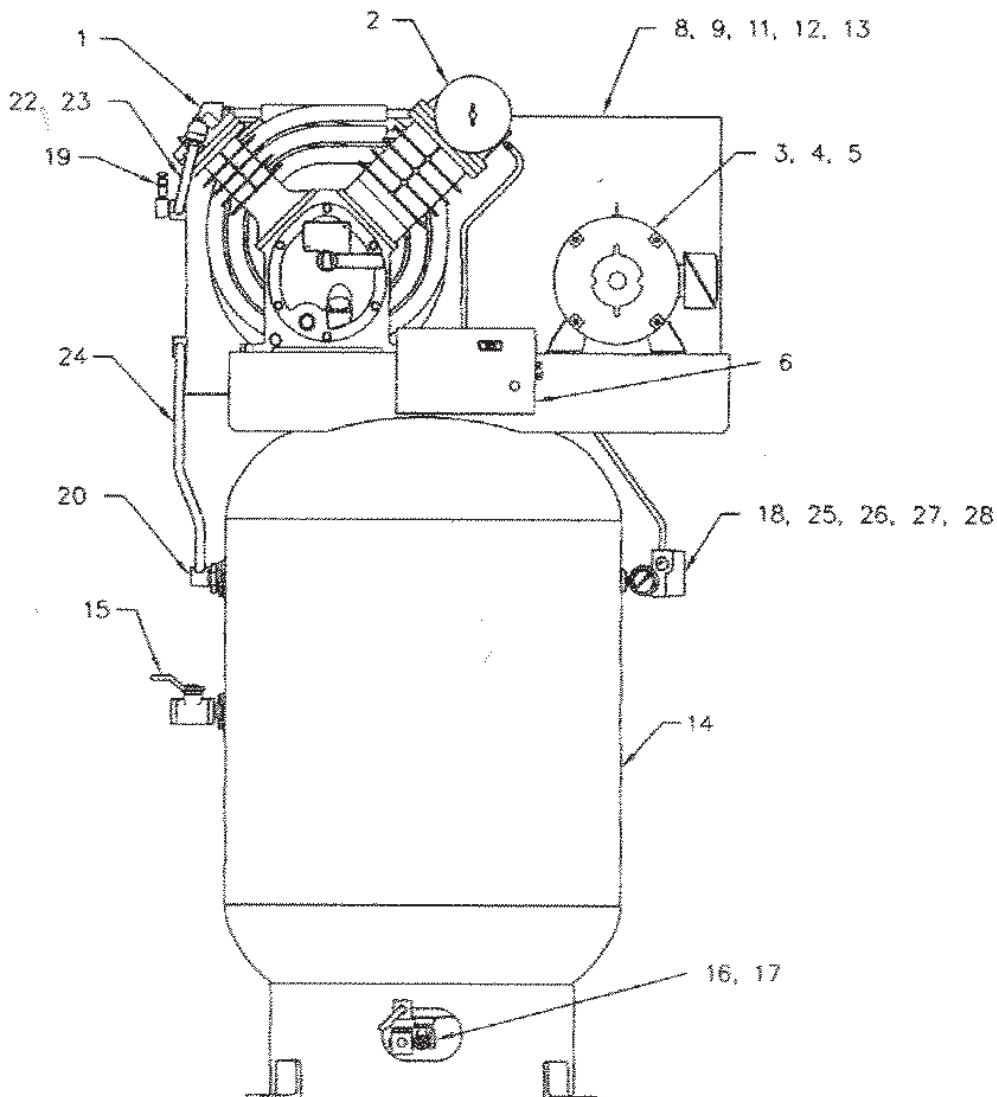


ITEM	DESCRIPTION	QTY	MODELS/PART LIST					
			2- 2475E5 -V	2- 2475E5 -P	2- 2475E7.5 -P	2- 2475E7.5 -P	2- 2545E10 -V	2- 24545E10 -P
1	COMPRESSOR, BARE	2	97332843	97332843	97332843	97332843	32339046	32304370
2	FILTER, INLET	2	32170953	32170953	32170953	32170953	32230542	32230542
3	MOTOR, DRIVE	2						
	• 200/3/60	-	32036790	32036790	32295073	32295073	32035933	32035933
	• 230/460-3-60	-	32036857	32036857	32318024	32318024	32036006	32036006
	• 575/3/60	-	32036865	32036865	32275081	32275081	32036014	32036014
4	SHEAVE, DRIVE	2	32281768	32281768	54507967	54507967	54436621	54436621
5	V-BELT, DRIVE	2	95099511	95099511	95099503	95099503	95100178	95100178
6	ALTERNATOR	1						
	• 200/3/60	-	56272909	56272909	56272917	56272917	56272917	56272917
	• 230/3/60	-	56272958	56272958	56272966	56272966	56272966	56272966
	• 460/3/60	-	56273030	56273030	56273030	56273030	56273030	56273030
	• 575/3/60	-	56273063	56273063	56273063	56273063	56273063	56273063
8	BACK, BELT GUARD	1	32310898	45468402	32310898	45468402	97331219	45468428
9	COVER, BELTGUARD	1	23210880	45468410	32310880	45468410	97331201	45468378
11	BRACE, BELTGUARD (HP)	1	45469434	45469434	45469434	45469434	45469400	45469400
12	BRACE, BELTGUARD (HP)	1	45469681	45469681	45469681	45469681	45469400	45469400
13	COIL, AFTERCOOLER	1	N/A	32498149	N/A	32498065	N/A	32498057

ITEM	DESCRIPTION	QTY	MODELS/PART LIST					
			2 - 2475E5 -V	2 - 2475E5 -P	2 - 2475E7.5 -P	2 - 2475E7.5 -P	2 - 2545E10 -V	2 - 24545E10 -P
14	RECIEVER	1	45468220	45468220	45468220	45468220	45468220	45468220
15	VALVE,, BALL-SERVICE	1	32223604	32223604	32223604	32223604	32223604	32223604
16	DRAIN, ELECTRIC-120/1	1	N/A	54579248	N/A	54579248	N/A	54579248
17	DRAIN, MANUAL	1	32027120	N/A	32027120	N/A	32027120	N/A
18	VALVE, RELIEF - RECEIVER	1	31385693	31385693	31385693	31385693	31385693	31385693
19	VALVE, RELIEF - DISCHARGE	2	32174286	32174286	32174286	32174286	32174286	32174286
20	VALVE, CHECK	2	85582229	85582229	85582229	85582112	85582112	85582112
21	TUBE ASSY, DISCHARGE - LH	1	45466398	N/A	45466398	N/A	45469335	N/A
	TUBE ASSY, DISCHARGE - RH	1	45466406	N/A	45466406	N/A	45469327	N/A
22	TUBE ASSY, COMP TO ACAC	2	N/A	32188450	N/A	32301533	N/A	32308074
23	TUBE ASSY, ACAC TO RECEIVER- LH	1	N/A	45466372	N/A	45464864	N/A	45464823
	TUBE ASSY, ACAC TO RECEIVER- RH	1	N/A	45466380	N/A	45464872	N/A	45464831
25	GUAGE, PRESSURE 0-300 PSIG	1	32013872	32013872	32013872	32013872	32013872	32013872
26	SWITCH, PRESSURE	1	23474570	23474570	23474570	23474570	23474588	23474612
27	SWITCH, PRESSURE	1	23474596	23474596	23474596	23474596	23474596	23474612
N/I	LOGO, INGERSOLL RAND	1	23482417	23482417	23482417	23482417	23482417	23482417
N/I	LABEL, SAFETY WARNING	1	32341075	32341075	32341075	32341075	32341075	32341075
N/I	LABEL, DANGER INTAKE AIR	1	54653662	54653662	54653662	54653662	54653662	54653662
N/I	DECAL, HOT TUBE	1	56276652	56276652	56276652	56276652	56276652	56276652
N/I	DECAL, AIR RECEIVER DRAIN	1	56276629	56276629	56276629	56276629	56276629	56276629
N/I	LABEL, PARTS	1	23474869	23474869	23474869	23474869	23474869	23474869
N/I	DECAL, HAZARDOUS VOLTAGE	1	56272107	56272107	56272107	56272107	56272107	56272107

N/I = NOT ILLUSTRATED.

**SMALL RECIPROCATING COMPRESSORS MODEL NUMBERS WITH SUFFIX - V, -VP, AND - P**



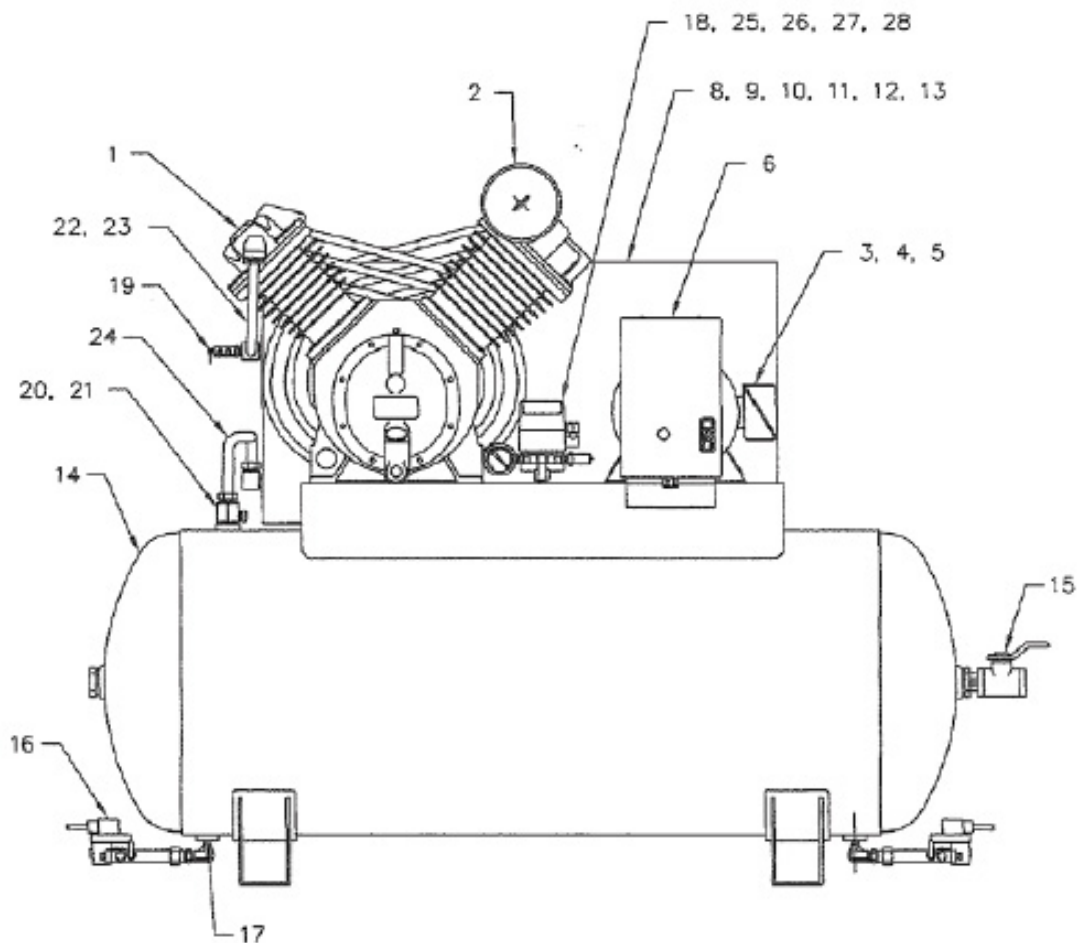
**TYPICAL VERTICAL UNIT**

ITEM	DESCRIPTION	QTY	MODEL / PART LIST								
			2340L5 -V	2340N5 -V	2475N5 -V	2475N7.5 -V	2545K10 -V	2545K10 -VP	2475N5 -P	2475N7.5 -V	2545K10 -P
1	COMPRESSOR BARE	1	97332843	97332843	32304370	32304370	32339046	32339046	32304370	32304370	32304388
2	FILTER, INLET	1	32170953	32170953	32170953	32170953	32230542	32230542	32170953	32170953	32230542
3	MOTOR, DRIVE	1									
	• 230/1/60	-	23378805	23393689	32288631	23178604	-	-	32288631	23172604	-
	• 200/3/60	-	97331292	97331292	97331649	97331672	32035933	32035933	32036790	32295073	32035933
	• 230/460-3-60	-	97331136	97331136	97331656	97331680	32036006	32036006	32036857	32295065	32036006
4	• 575/3/60	-	97331300	97331300	97331664	97331698	32036014	32036014	32036865	32295081	32036014
	SHEAVE, DRIVE	1									
	• 1 - phase	-	32110660	32110660	32281768	54507975	-	-	32281768	54507975	-
• 3 - phase	-	32184350	32184350	32281768	54507967	54436621	54436621	32281768	54507967	54436621	
5	V - BELT, DRIVE	1	95099453	95099453	95099479	95099461	95100178	95100178	95099511	95099503	95100178
6	STARTER	1									
	• 230/1/60	-	-	-	23859796	23859804	-	-	23474752	23474752	-
	• 200/3/60	-	23859705	23859705	23859705	23859713	23859721	23859721	23859705	23859713	23859721
	• 230/3/60	-	23859705	23859705	23859705	23859713	23859721	23859721	23859705	23859713	23859721

ITEM	DESCRIPTION	QTY	MODEL / PART LIST								
			2340L5 -V	2340N5 -V	2475N5 -V	2475N7.5 -V	2545K10 -V	2545K10 -VP	2475N5 -P	2475N7.5 -V	2545K10 -P
6	• 460/3/60	-	23859978	23859978	23859978	23859986	23860018	23860018	23859978	23859986	23860018
	• 575/3/60	-	23860174	23860174	23860174	23860190	23860208	23860208	23860174	23860190	23860208
8	BACK, BELTGUARD	1	32499162	32499162	32499162	32499162	97331219	45468428	45468402	45468402	45468428
9	COVER, BELTGUARD	1	32499170	32499170	32499170	32499170	97331201	45468378	45468410	45468410	45468378
11	BRACE, BELTGUARD	1	32295321	32295321	97330013	97330013	32188518	45469400	45469434	45469434	45469400
12	BRACE, BELTGUARD	1	-	-	-	-	32188518	45469400	45469681	45469681	45469400
13	COIL, AFTERCOOLER	1	-	-	-	-	-	32498057	32498149	32498065	32498057
14	RECEIVER	1	45468089	45468113	45468113	45468113	46827960	46827960	45468212	45468212	46827960
15	VALVE, BALL - SERVICE	1	32106551	32106551	32106569	32106569	32106577	32106577	32106569	32106569	32106577
16	DRAIN, ELECTRIC - 120/1	1	-	-	-	-	-	54579248	54579248	54579248	54579248
17	DRAIN, MANUAL	1	32027120	32027120	32027120	32027120	32027120	-	-	-	-
18	VALVE, RELIEF - RECEIVER	1	56270713	56270713	31385693	31385693	31385693	31385693	31385693	31385693	31385693
19	VALVE, RELIEF - DISCHARGE	1	32174286	32174286	32174286	32174286	32174286	32174286	32174286	32174286	32174286
20	VALVE, CHECK	1	85582229	85582229	85582229	85582229	54368154	54368154	85582229	85582112	54368154
22	TUBE ASSY, DISCHARGE	1	32498180	20100426	32499626	32499626	46827721	-	-	-	-
23	TUBE ASSY, COMP TO ACAC	1	-	-	-	-	-	46827705	32188450	32301533	46827705
24	TUBE ASSY, ACAC TO RECEIVER	1	-	-	-	-	-	46827713	32322265	23979859	46827713
25	TUBE ASSY, UNLOADER	1	32332835	32333072	32333072	32333072	32464449	23464449	32322281	23979867	32333064
26	GAUGE, PRESSURE 0-300 PSIG	1	23474901	23474901	23474901	23474901	23474901	23474901	23474901	32499816	32499816
27	SWITCH, PRESSURE	1									
	• 2340 @ 230/1/60	-	23474653	23474653	-	-	-	-	-	-	-
	• ALL OTHER UNITS	-	23474570	23474570	23474570	23474570	23474570	23474570	23474570	23474570	23474588
28	VALVE, AUXILIARY	1	-	-	-	-	-	-	-	-	32170797
N/I	LOGO INGERSOLL RAND	1	23482417	23482417	23482417	23482417	23482417	23482417	23482417	23482417	23482417
N/I	LABEL, SAFETY WARNING	1	23482383	23482383	23482383	23482383	23482383	23482383	23482383	23482383	23482383
N/I	LABEL, DANGER INTAKE AIR	1	54653662	54653662	54653662	54653662	54653662	54653662	54653662	54653662	54653662
N/I	DECAL, HOT TUBE	1	56276652	56276652	56276652	56276652	56276652	56276652	56276652	56276652	56276652
N/I	LABEL, PARTS	1	23474869	23474869	23474869	23474869	23474869	23474869	23474869	23474869	23474869
N/I	DECAL, HAZARDOUS VOLTAGE	1	56272107	56272107	56272107	56272107	56272107	56272107	56272107	56272107	56272107

N/I = NOT ILLUSTRATED.

**SUPPLEMENT FOR SMALL RECIPROCATING COMPRESSORS MODEL NUMBERS WITH SUFFIX - V, -VP, AND - P**



**TYPICAL HORIZONTAL UNIT**

ITEM	DESCRIPTION	QTY	MODEL / PART LIST							
			2545E10 -V	7100E15 -V	2545E10 -VP	7100E15 -VP	2545E10 -P	7100E15 -P	15TE15 -P	15TE20 -P
1	COMPRESSOR, BARE	1	32339046	32339053	32339046	32339053	32304388	32190415	32102030	32102030
2	FILTER, INLET	1	32230542	32109779	32230542	32103779	32230542	32109779	-	-
	FILTER, INLET	2	-	-	-	-	-	-	32109779	32109779
3	MOTOR, DRIVE	1								
	• 200/3/60	-	32035933	32036089	32035933	32036089	32035933	32036089	32036089	32036345
	• 230/460-3-60	-	32036006	32036139	32036006	32036139	32036006	32036139	32036139	32036378
	• 575/3/60	-	32036014	32036147	32036014	32036147	32036014	32036147	-	-
4	SHEAVE, DRIVE	1	54436621	32196438	54436621	32163438	54436621	32196438	32186082	32186082
5	V - BELT, DRIVE	1	95100178	-	95100178	-	95100178	-	-	-
	V - BELT, DRIVE	2	-	95100178	-	95369351	-	95369351	95100541	95100541
6	STARTER	1								
	• 200/3/60	-	23859721	23859739	23859721	23859739	23859721	23859739	23859739	23859747
	• 230/3/60	-	23859721	23859739	23859721	23859739	23859721	23859739	-	-
	• 460/3/60	-	23860018	23860026	23860018	23860026	23860018	23860026	-	-
	• 575/3/60	-	23860208	23860216	23860208	23860216	23860208	23860216	-	-
8	BACK, BELTGUARD	1	97331219	97335194	45468428	45468352	45468428	45468352	45468394	45468394
9	COVER, BELTGUARD	1	97331201	97335202	45468378	45468378	45468378	45468378	45468386	45468386

ITEM	DESCRIPTION	QTY	MODEL / PART LIST								
			2545E10 -V	7100E15 -V	2545E10 -VP	7100E15 -VP	2545E10 -P	7100E15 -P	15TE15 -P	15TE20 -P	
10	SUPPORT, BELTGUARD	1	-	-	-	-	-	-	-	45468501	45468501
11	BRACE, BELTGUARD	1	32188518	32188518	45469400	45469400	45469400	45464900	32006819	32006819	32006819
12	BRACE, BELTGUARD	1	32188518	32188518	45469400	45469400	45469400	45464900	32006819	32006819	32006819
13	COIL, AFTERCOOLER	1	-	-	32498057	32498057	32498057	32498057	32244428	32244428	32244428
14	RECEIVER	1	45468261	45468162	45468261	45468162	45468261	45468162	45468238	45468238	45468238
15	VALVE, BAIL - SERVICE	1	32106569	32106569	32106569	32106569	32106569	32106577	32106577	32106577	32106577
16	DRAIN, ELECTRIC - 120/1	1	-	-	54579248	54579248	54579248	54579248	54579248	54579248	54579248
17	DRAIN, MANUAL	1	32027120	32027120	-	-	-	-	-	-	-
18	VALVE, RELIEF - RECIEVER	1	31385693	31385693	31385693	31385693	31385693	31385693	31385693	31385693	31385693
19	VALVE, RELIEF - DISCHARGE	1	32174286	32174286	32174286	32174286	32174286	32174286	32174286	32174286	32174286
20	VALVE, CHECK	1	85582286	-	85582286	-	54368154	-	-	-	-
21	SILENCER, DISCHARGE	1	-	-	-	32061376	-	32061376	32061376	32061376	32061376
22	TUBE ASSY, DISCHARGE	1	97331581	97335004	-	-	-	-	-	-	-
23	TUBE ASSY, COMP TP ACAC	1	-	-	32308074	32296188	32308074	32296188	32276172	32276172	32276172
24	TUBE ASSY, ACAC TO RECEIVER	1	-	-	32497133	32495939	32497133	32495939	32276180	32276180	32276180
25	TUBE ASSY, UNLOADER	1	32334864	32333080	32334864	32333080	32323024	32227423	32333189	32333189	32333189
26	GUAGE, PRESSURE 0-300 PSIG	1	23474901	23474901	23474901	32499816	32499816	32013872	32013872	32013872	32013872
27	SWITCH, PRESSURE	1	23474570	23474570	23474570	23474570	23474588	23474588	23474588	23474588	23474588
28	VALVE, AUXILIARY	1	-	-	-	-	32170797	32170797	32170797	32170797	32170797
N/I	LOGO INGERSOLL RAND	1	32261109	32261109	32261109	32261109	32261109	32261109	32261109	32261109	32261109
N/I	LABEL, SAFETY WARNING	1	32341075	32341075	32341075	32341075	32341075	32341075	32341075	32341075	32341075
N/I	LABEL, DANGER INTAKE AIR	1	54653662	54653662	54653662	54653662	54653662	54653662	54653662	54653662	54653662
N/I	DECAL, HOT TUBE	1	56276652	56276652	56276652	56276652	56276652	56276652	56276652	56276652	56276652
N/I	DECAL, AIR RECEIVER DRAIN	1	56276629	56276629	56276629	56276629	56276629	56276629	56276629	56276629	56276629
N/I	LABEL, PARTS	1	23474869	23474869	23474869	23474869	23474869	23474869	23474869	23474869	23474869
N/I	DECAL, HAZARDOUS VOLTAGE	1	56272107	56272107	56272107	56272107	56272107	56272107	56272107	56272107	56272107

N/I = NOT ILLUSTRATED.





A series of horizontal lines forming a ruled page for writing. The lines are evenly spaced and extend across the width of the page, starting from the top margin and continuing down to the bottom margin.



A series of horizontal lines spanning the width of the page, providing a template for writing. The lines are evenly spaced and extend from the left margin to the right edge of the page.



A series of horizontal lines spanning the width of the page, intended for writing or drawing.

