

# INGERSOLL-RAND®

## AIR COMPRESSORS

# Parts List

## for Model 2000 Air Compressor Pump

### GENERAL INFORMATION

This manual contains an illustrated breakdown of the pump into assemblies, subassemblies and detail parts required for maintenance and repair. Please retain this manual for reference.

### COLUMNS

Each parts list is divided into the following columns:

**KIT CODE.** This column identifies the parts that are included in one or more Step Saver Kits. Step Saver Kits provide all of the parts required to perform common repair tasks such as piston ring replacement or valve replacement.

The following characters might appear in the KIT CODE column.

- V = Parts included in Valve/Gasket Kit. These kits contain valve wearing parts and head gaskets that are destroyed in replacing valve parts.
- R = Parts included in Ring/Gasket Kit. These kits contain a complete set of piston rings and gaskets that are destroyed in breaking the unit down to replace the rings.
- B = Parts included in Bearing/Gasket Kit. These kits contain a complete set of bearings, seals and gaskets that are destroyed in breaking the unit down to replace the bearings.

**REF. NO. (REFERENCE NUMBER).** This column lists the call-out number on the illustration which identifies that item.

The following abbreviations might appear in the REFERENCE NUMBER column:

- NI = Not Illustrated.
- REF = Reference Only. You may be referred to a figure and page noted in the Description column.

Additional abbreviations or symbols used are defined on the same page in which they appear.

**DESCRIPTION.** The DESCRIPTION column identifies items by standard name (nomenclature) and modifiers. The modifiers are used to identify specific characteristics (dimensions, capacity, pressure setting, etc.), and/or the particular location or function on

the unit. The relationship of a subassembly or component part to higher assemblies is shown by "bullet" (•) symbols. Assemblies which are broken down in separate lists and illustrations show the appropriate figure number and page reference after the item description. Always provide the part description when ordering.

**QTY. (QUANTITY).** Quantities listed in this column reflect the number of each item used in the next higher assembly, and are not necessarily the total quantity of the part used on the unit. Specify the desired quantity when ordering.

**PART NO. (PART NUMBER).** Items listed in this column bear Ingersoll-Rand part numbers. Specify the part number when ordering spare or replacement parts.

The following abbreviations or symbols might appear in the PART NUMBER column:

- NSS = Not Sold Separately. Such items must be ordered as part of the next higher assembly or, where applicable, as part of a Step Saver Kit.
- \* \* = Part number will vary. Contact Ingersoll-Rand for details.

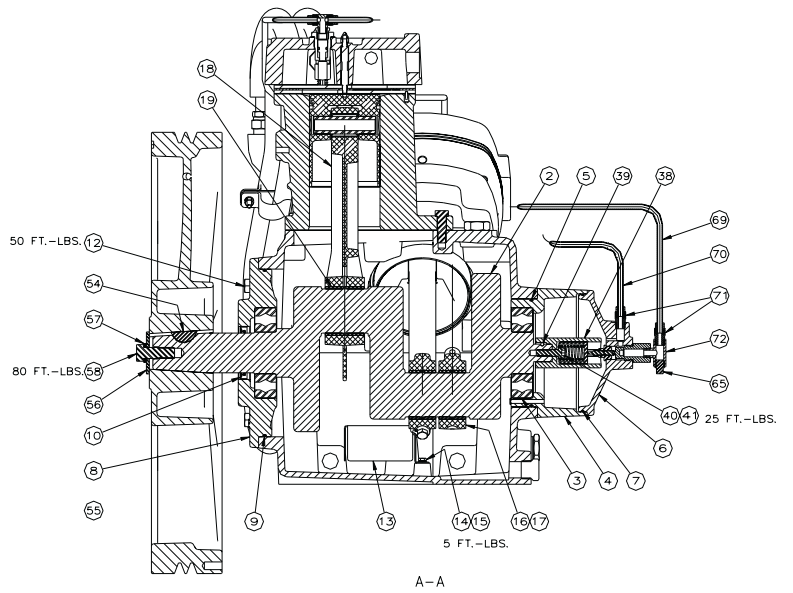
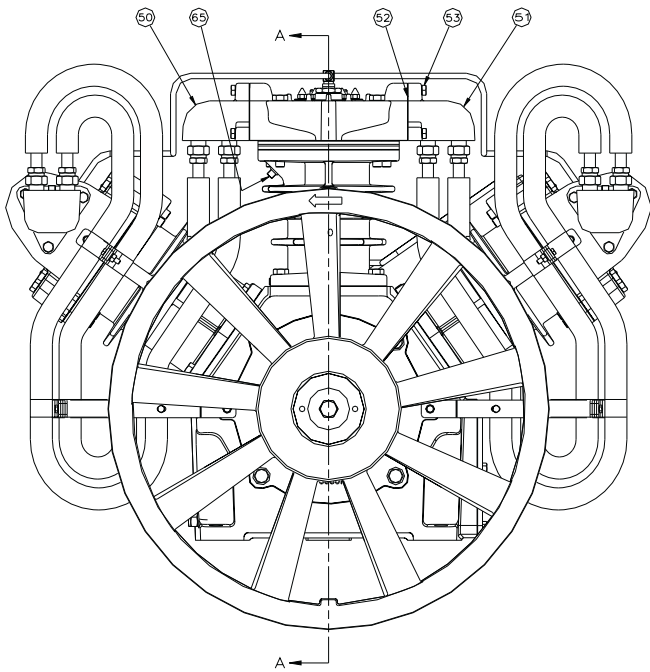
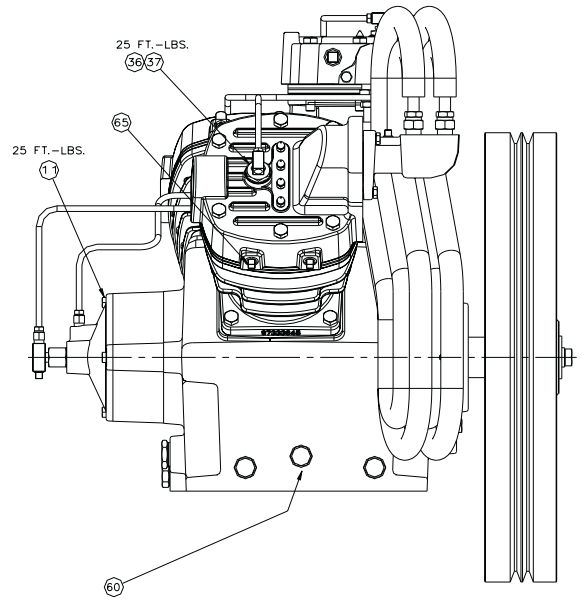
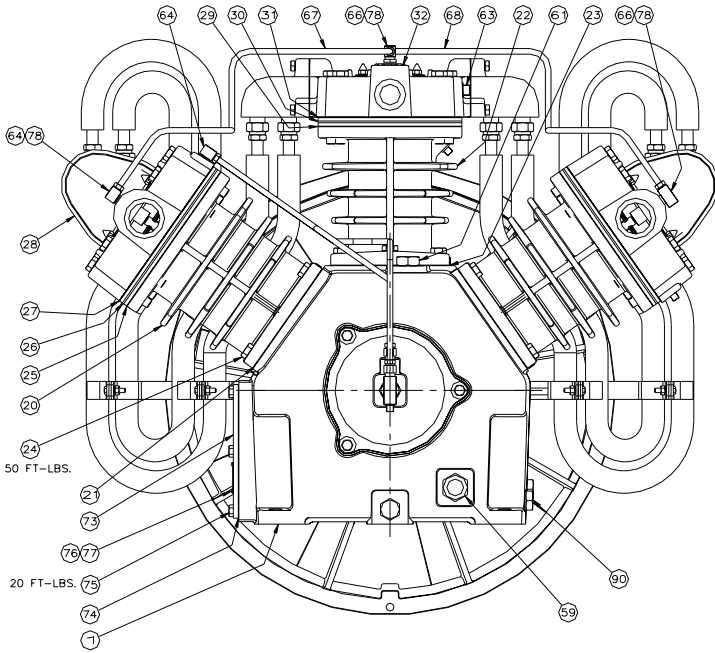
Additional abbreviations or symbols used are defined on the same page in which they appear.

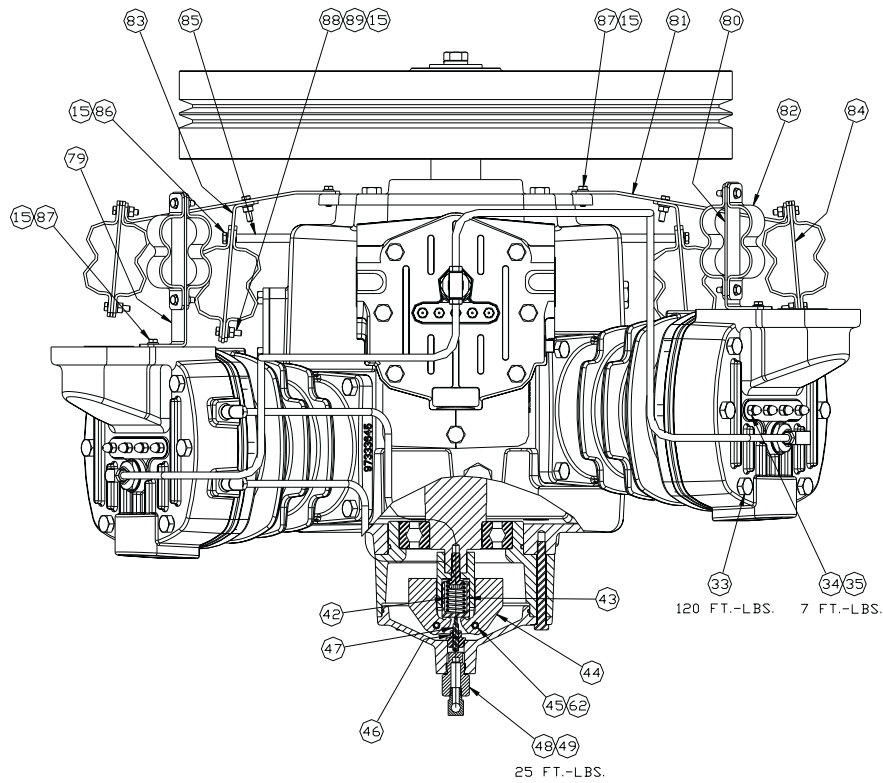
### ORDERING INSTRUCTIONS

All parts listed in this manual can be ordered through your local Ingersoll-Rand Air Center or Distributor. To find the Air Center or Distributor in your area, consult the Directory of Distributors included with the unit, call **1-800 AIR SERV** or visit our website at <http://www.air.ingersoll-rand.com> for information.

When ordering, provide the following information:

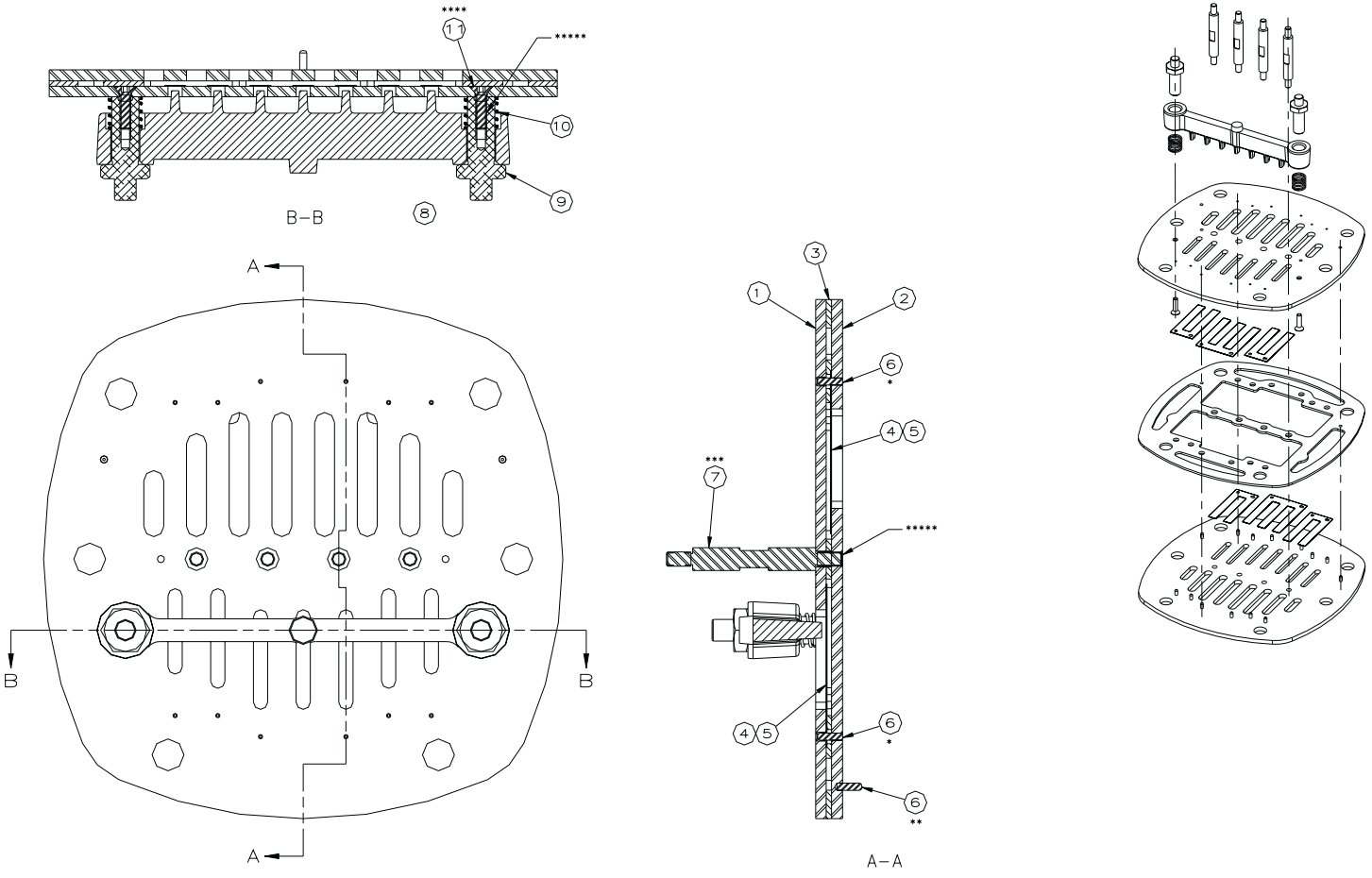
- The **model number** and **serial number** stamped on the unit nameplate.
- The **form number** of this manual, as indicated in the lower right-hand corner of the front cover.
- The **quantity, description, and part number** of the part(s) you are ordering.





KIT CODE	ITEM #	PART #	DESCRIPTION	QTY.	KIT CODE	ITEM #	PART #	DESCRIPTION	QTY.
	1	56286438	FRAME, COMPRESSOR	1	R	NI	95022695	● O-RING	1
	2	97333876	CRANKSHAFT	1		48	37113701	VALVE, PILOT	1
B	3	56260581	BEARING, BALL	2	R	49	30346597	WASHER, COPPER - 7/8"	1
	4	97333892	HOUSING, BEARING/UNLOADER	1		50	97338628	ASSY., INTERCOOLER - RIGHT (SEE PAGE 9)	1
B	5	95023404	O-RING, BEARING/UNLOADER HOUSING	1		51	97338636	ASSY., INTERCOOLER - LEFT (SEE PAGE 8)	1
	6	97333934	COVER, CENTRIFUGAL UNLOADER	1	V	52	56285570	GASKET, INTERCOOLER MANIFOLD	4
B	7	95154027	O-RING, UNLOADER COVER	1		53	95035358	CAPSCREW, HEX 3/8-16 x 1.25"	12
	8	97333900	COVER, FRAME END	1	B	54	95083721	KEY, WOODRUFF 5/16" x 1-1/2"	1
B	9	95041919	O-RING, FRAME END COVER	1		55	97337273	BELT WHEEL	1
	10	56260607	SEAL, OIL	1	B	56	56268923	WASHER, BELT WHEEL	1
	11	95103891	CAPSCREW, HEX 3/8-16 x 3.75"	3		57	95081790	LOCKWASHER, SPRING - 5/8"	1
	12	95053047	CAPSCREW, HEX 1/2-13 x 1.25"	4		58	95373585	CAPSCREW, HEX 5/8-11 x 1.75"	1
	13	97334593	BAFFLE, OIL LEVEL SWITCH	1		59	97330245	SIGHTGLASS, OIL - 1" NPT	1
	14	95053070	CAPSCREW, HEX 1/2-20 x .50"	2		60	95200333	PLUG, PIPE - HEX 3/4" NPT	2
	15	95043196	LOCKWASHER, SPRING - 1/4"	20		61	39498522	PLUG, OIL FILL	1
	16	97334502	ASSY., PISTON/ROD - 5.5" L. P. (SEE PAGE 6)	2		62	90799271	LOCKWIRE, STEEL	1
B	17	97333959	BEARING, INSERT - L. P.	4		63	95033619	PLUG, PIPE - SQ. HD. 1/2"	1
	18	97335921	ASSY., PISTON/ROD - 4" H. P. (SEE PAGE 7)	1		64	95110441	ELBOW, TUBE 5/16" T x 1/4" NPT	3
B	19	97333967	BEARING, INSERT - H. P.	2		65	95033593	PLUG, PIPE - SQ. HD. 1/4"	4
	20	97333918	CYLINDER, 5.5" L. P.	2		66	95369815	TEE, TUBE 5/16" T x 1/4" NPT	2
B	21	97334460	GASKET, CYLINDER/FRAME - L. P.	2		67	97338800	ASSY., TUBE - HEAD UNLOADER	1
	22	97333926	CYLINDER, 4" H. P.	1		68	97338818	ASSY., TUBE - HEAD UNLOADER	1
B	23	97334486	GASKET, CYLINDER/FRAME - H. P.	1		69	97338842	ASSY., TUBE - PILOT VALVE/HEAD	1
	24	95104170	CAPSCREW, HEX 1/2-13 x 1.50" LG.	13		70	97338834	ASSY., TUBE - UNLOADER COVER/HEAD	1
V	25	54387733	GASKET, VALVE PLATE/CYLINDER - L. P.	2		71	32157554	CONNECTOR, 5/16" T x 1/4" NPT	2
	26	20100120	ASSY., VALVE PLATE - L. P. (SEE PAGE 4)	2		72	32221228	TEE, MALE BRANCH 1/4" NPT	1
V	27	56284490	GASKET, HEAD - L. P.	2		73	56289010	COVER, FRAME - SIDE	1
	28	56280480	HEAD, L. P.	2	B	74	56289002	GASKET, SIDE COVER	1
V	29	54387741	GASKET, VALVE PLATE/CYLINDER - H. P.	1		75	95103743	CAPSCREW, HEX 3/8-16 x 3/4" LG.	10
	30	20100228	ASSY., VALVE PLATE - H. P. (SEE PAGE 5)	1		76	NSS	NAMEPLATE	1
V	31	56284508	GASKET, HEAD - H. P.	1		77	95987525	STUD, DRIVE	4
	32	56280498	HEAD, H. P.	1		78	95038147	BUSHING, REDUCING 3/8" x 1/4"	3
	33	95717385	CAPSCREW, HEX 1/2-13 x 3.75"	18		79	54405485	BRACE, HEAD/INTERCOOLER - LEFT	1
V	34	32255903	GASKET, COPPER WASHER - 1/4"	13		80	54405493	BRACE, HEAD/INTERCOOLER - RIGHT	1
	35	56286248	NUT, ACORN - 1/2-28 UNF HIGH CROWN	13		81	54405501	BRACE, MAIN - INTERCOOLER BOTTOM	2
	36	97339568	ASSY., UNLOADER BODY	3		82	54405519	CLAMP, INTERCOOLER TUBE	12
V	37	95744322	GASKET, COPPER WASHER - 1.031"	3		83	54405527	BRACE, BOTTOM INTERCOOLER - INSIDE	2
	38	97333942	BODY, UNLOADER PLUNGER	1		84	54405535	BRACE, BOTTOM INTERCOOLER - OUTSIDE	2
	39	95301305	BALL, 3/16" DIA.	1		85	54405543	SPACER, INTERCOOLER MOUNTING BRACE	2
	40	95055265	CAPSCREW, S. H. 3/8-16 x 1.25"	1		86	95052908	CAPSCREW, HEX 1/4-20 x 3.5"	2
	41	95081857	LOCKWASHER, SPRING - 3/8"	1		87	95079802	CAPSCREW, HEX 1/4-20 x 3/4"	4
	42	30815898	SPRING, CENTRIFUGAL UNLOADER	1		88	95079893	CAPSCREW, HEX 1/4-20 x 1"	12
	43	30285688	PLUNGER, CENTRIFUGAL UNLOADER	1		89	95077681	NUT, HEX 1/4-20 UNC	12
	44	30220875	WEIGHT, CENTRIFUGAL UNLOADER	2		90	95344651	PLUG, PIPE - HEX - 1/2 NPT	2
	45	30214951	PIN, CENTRIFUGAL UNLOADER WEIGHT	2					
	46	37128261	BUSHING, THRUST PIN	1					
	47	32218406	ASSY., THRUST PIN	1					
NI		NSS	● PIN, THRUST	1					

**Low Pressure (First Stage) Valves**

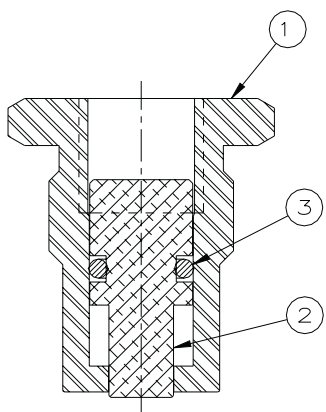


**NOTES**

- \* Press the dowel pins (Ref. No. 6) into the discharge valve plate (Ref. No. 2) flush with the bottom of the discharge valve plate (Ref. No. 2).
- \*\* Press dowel pin (Ref. No. 6) into the bottom side of the discharge valve plate (Ref. No. 2) until the dowel pin (Ref. No. 5) bottoms out in the blind hole.
- \*\*\* Torque the valve plate studs (Ref. No. 7) to 7 Ft. Lb.
- \*\*\*\* Torque the capscrews (Ref. No. 11) to 36 In. Lb.
- \*\*\*\*\* Apply Loctite 262 or equivalent to threads.

KIT CODE	REF. NO.	PART NO.	DESCRIPTION	QTY.
	REF.	20100210	ASSEMBLY, VALVE PLATE — L. P.	
V	1	54422720	● PLATE, VALVE — L.P. INLET	1
V	2	54422738	● PLATE, VALVE — L.P. DISCHARGE	1
V	3	56284516	● GASKET, L.P. VALVE PLATE SPACER	1
V	4	97334023	● VALVE, THREE-FINGER	2
V	5	97334031	● VALVE, TWO-FINGER	4
V	6	56267818	● PIN, DOWEL — 1/8 X 7/16	15
	7	56285562	● STUD, VALVE PLATE — 1/4-28	4
	8	56282304	● FORK, UNLOADER — SEVEN-FINGER	1
	9	56282312	● GUIDE, UNLOADER FORK	2
	10	56283765	● SPRING, UNLOADER FORK	2
	11	95389698	● CAPSCREW, HEX SOCKET	2

**Unloader Body Assembly**

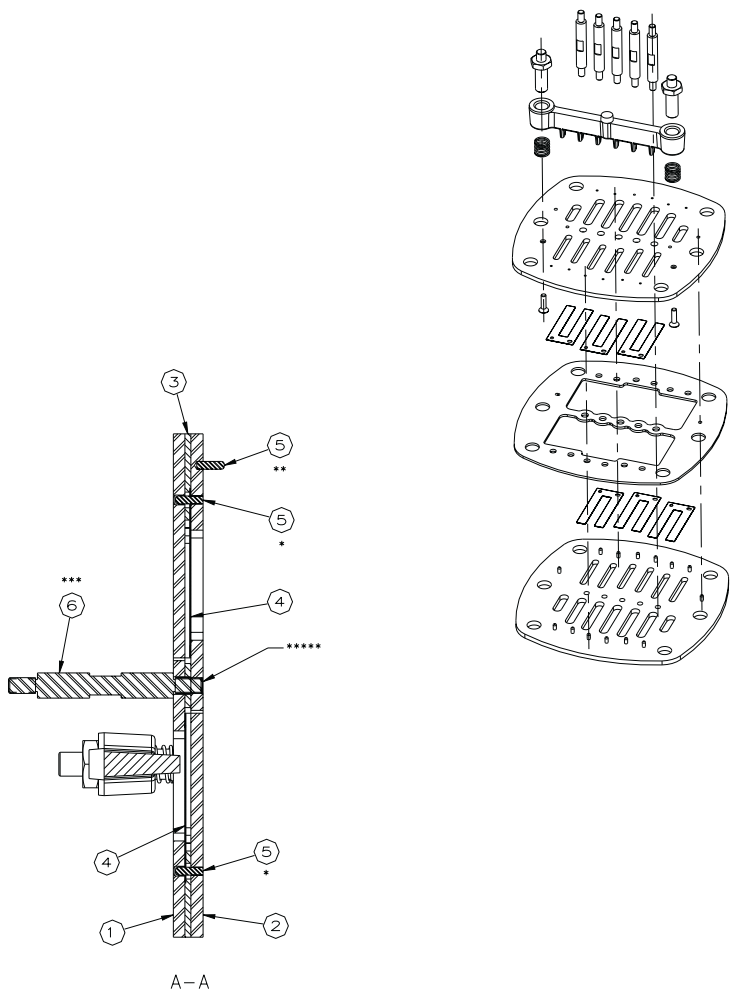
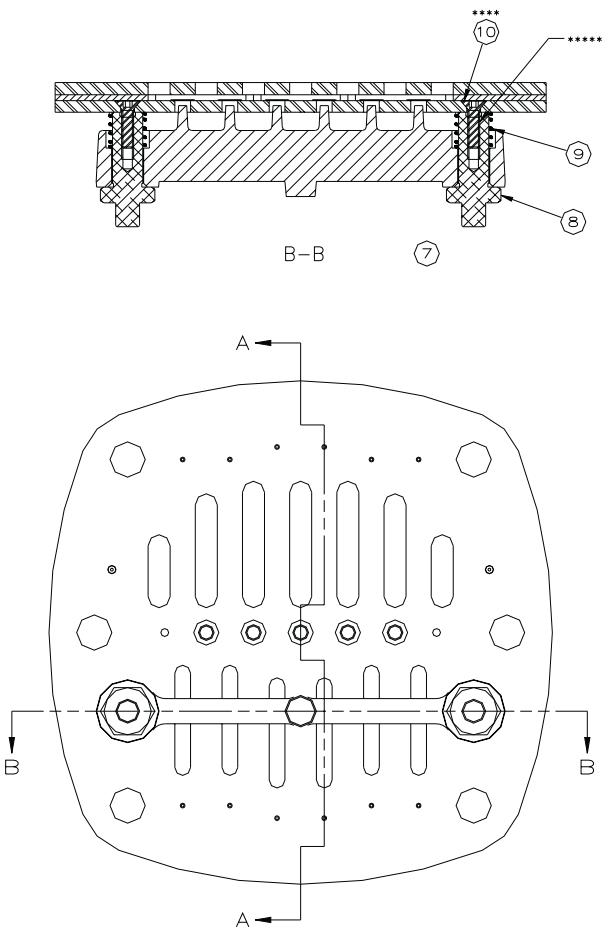


KIT CODE	REF. NO.	PART NO.	DESCRIPTION	QTY.
	REF.	97339568	ASSEMBLY, UNLOADER BODY	
	1	54392469	● BODY, UNLOADER	1
	2	54392451	● PISTON, UNLOADER	1
	3	54392337	● O-RING, UNLOADER PISTON	1

**NOTES**

- Apply high temperature silicone grease to O-ring (Ref. No. 3).

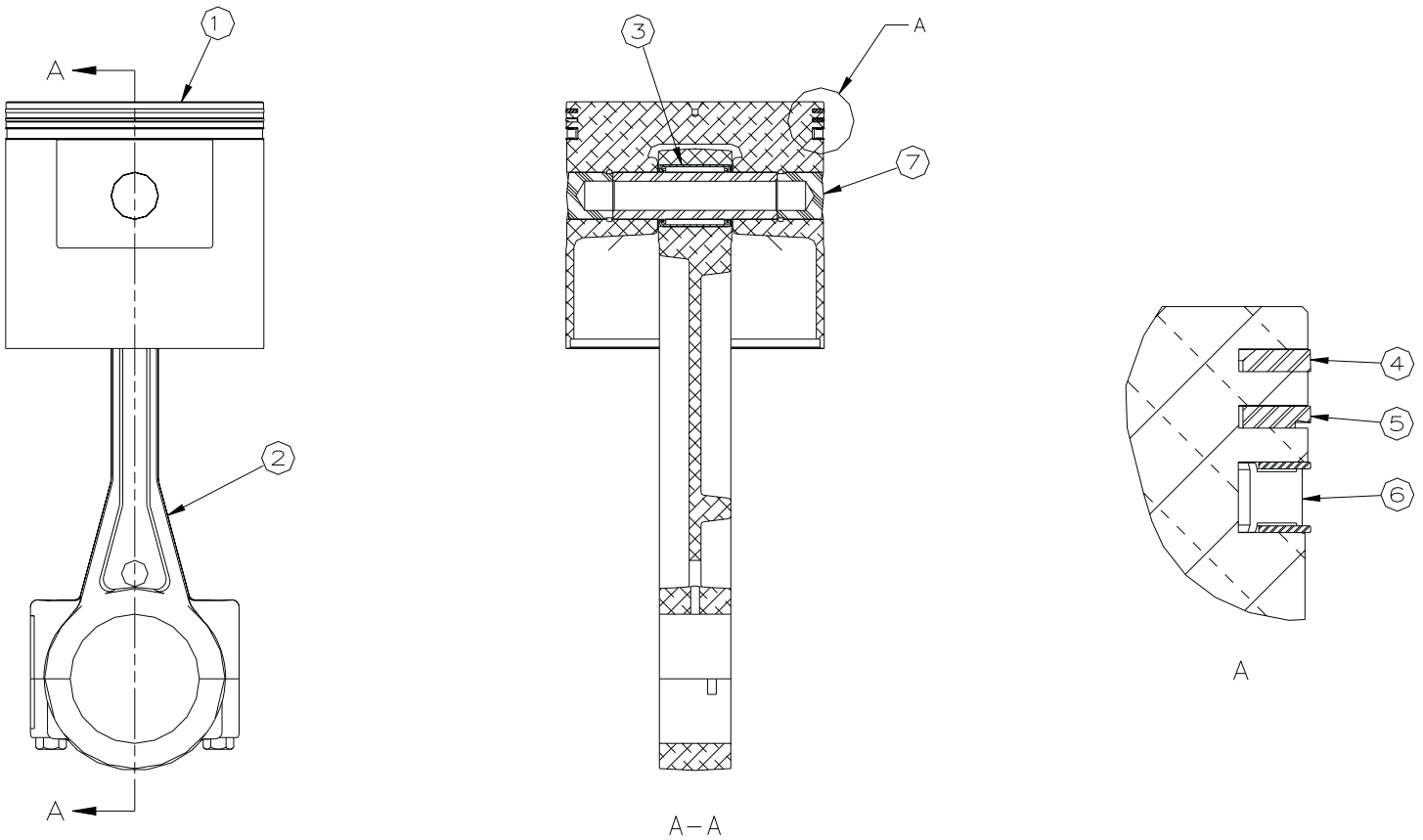
**High Pressure (Second Stage) Valve**



**NOTES**

- \* Press the dowel pins (Ref. No. 5) into the discharge valve plate (Ref. No. 2) flush with the bottom of the discharge valve plate (Ref. No. 2).
- \*\* Press dowel pin (Ref. No. 5) into the bottom side of the discharge valve plate (Ref. No. 2) until the dowel pin (Ref. No. 5) bottoms out in the blind hole.
- \*\*\* Torque the valve plate studs (Ref. No. 6) to 7 Ft. Lb.
- \*\*\*\* Torque the capscrews (Ref. No. 10) to 36 In. Lb.
- \*\*\*\*\* Apply Loctite 262 or equivalent to threads.

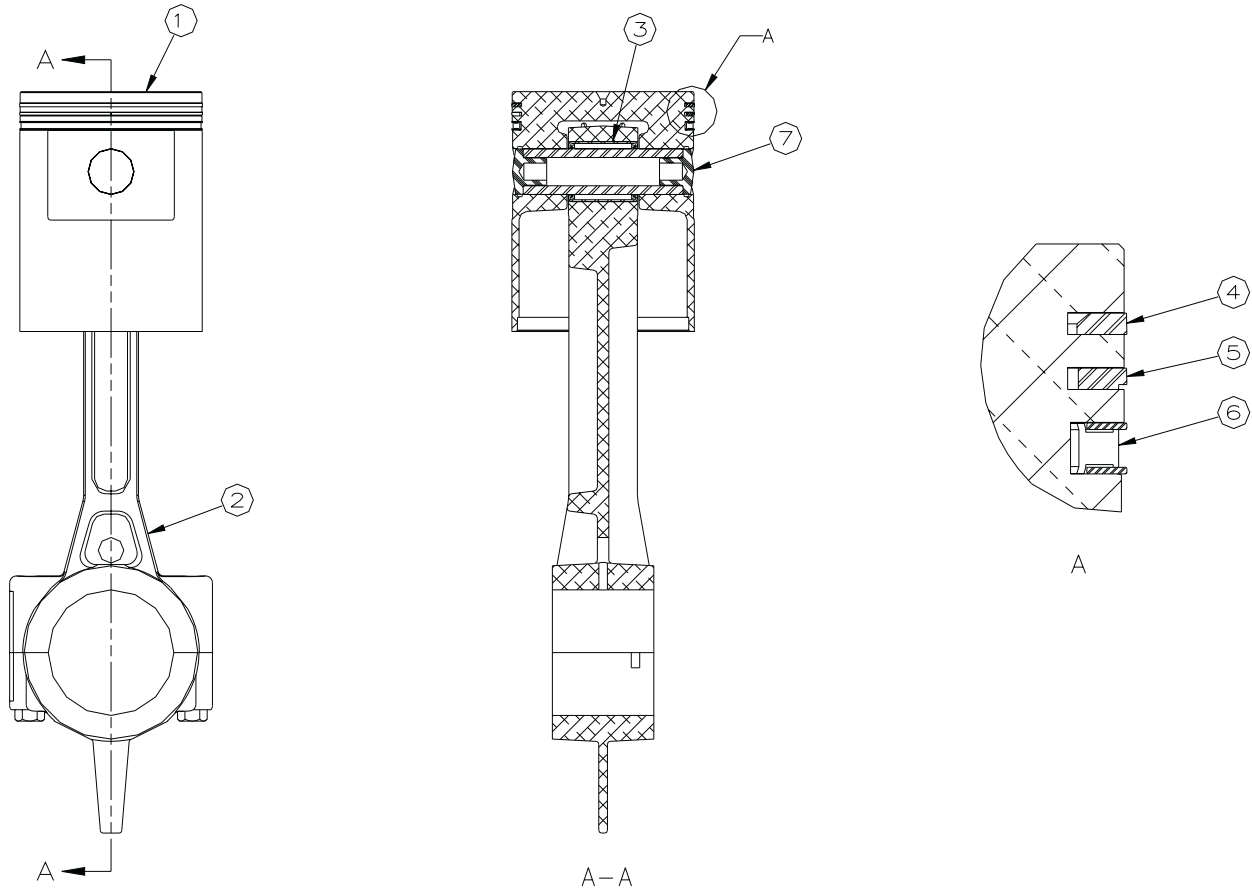
KIT CODE	REF. NO.	PART NO.	DESCRIPTION	QTY.
	REF.	20100228	ASSEMBLY, VALVE PLATE — H. P.	
V	1	54422746	● PLATE, VALVE — H.P. INLET	1
V	2	54422761	● PLATE, VALVE — H.P. DISCHARGE	1
V	3	97334114	● GASKET, H.P. VALVE PLATE SPACER	1
V	4	97334031	● VALVE, TWO-FINGER	6
V	5	56267818	● PIN, DOWEL — 1/8 X 7/16	15
	6	56285562	● STUD, VALVE PLATE — 1/4-28	5
	7	56282296	● FORK, UNLOADER — SIX-FINGER	1
	8	56282312	● GUIDE, UNLOADER FORK	2
	9	56283765	● SPRING, UNLOADER FORK	2
	10	95389698	● CAPSCREW, HEX SOCKET	2

**Low Pressure (First Stage) Piston****NOTES**

- Install Compression Ring (Ref. No. 4) and Scraper Ring (Ref. No. 5) with the mark on the rings facing up.
- Low Pressure Piston Rings (Ref. No. 4-6) are available in Ring Set 20103123. Individual rings are not sold separately.
- # Your unit may use wrist pin caps or lock rings. Lock rings (part number 30288450) are available as replacements for caps or rings. Wrist pin caps are not available as replacements.

KIT CODE	REF. NO. REF.	PART NO.	DESCRIPTION	QTY.
	1	NSS 97334494	● ASSEMBLY, PISTON/PIN — L. P.	1
	2	97334320	● ROD, CONNECTING — L.P.	1
B	3	56260599	● BEARING, NEEDLE	1
R	4	NSS	● RING, COMPRESSION	1
R	5	NSS	● RING, SCRAPER	1
R	6	NSS	● RING, OIL CONTROL SET	1
B	7	#	● CAP, WRIST PIN OR RING, LOCK	2

**High Pressure (Second Stage) Piston**

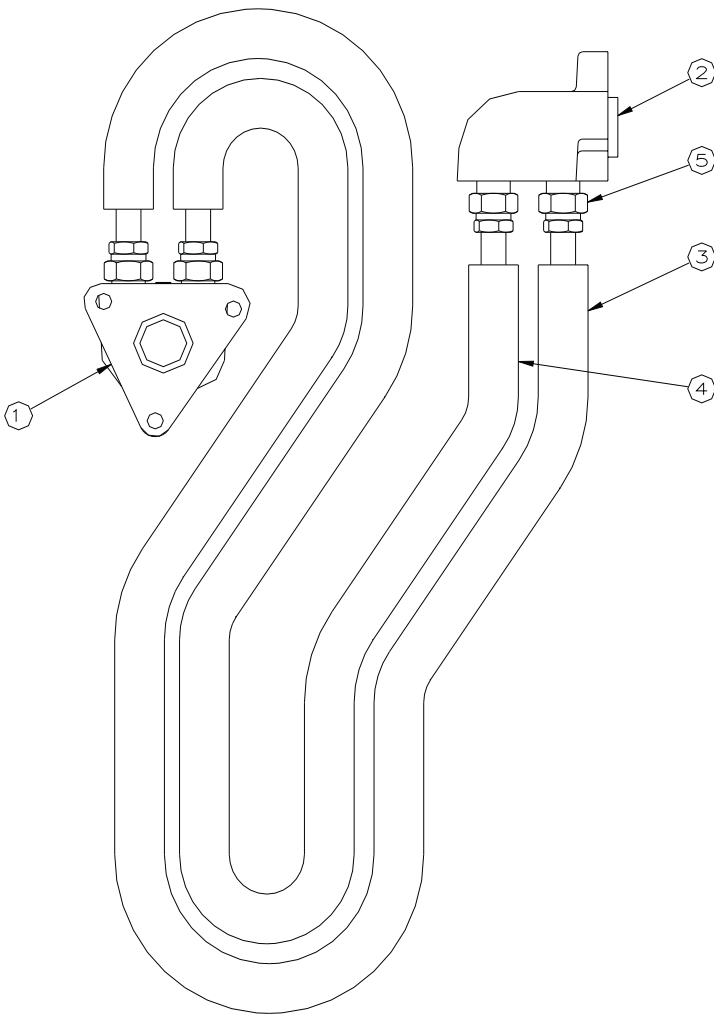
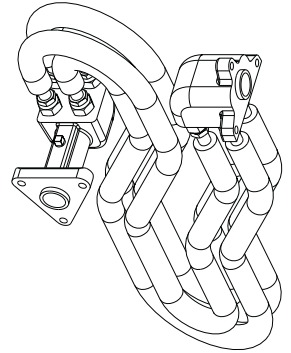
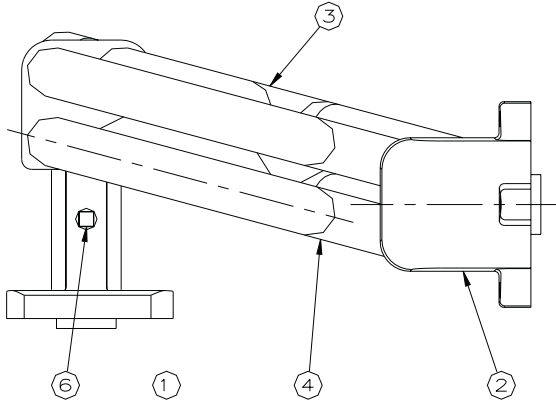


**NOTES**

- Install Compression Ring (Ref. No. 4) and Scraper Ring (Ref. No. 5) with the mark on the rings facing up.
- High Pressure Piston Rings (Ref. No. 4-6) are available in Ring Set 20103131. Individual rings are not sold separately.
- # Your unit may use wrist pin caps or lock rings. Lock rings (part number 30288450) are available as replacements for caps or rings. Wrist pin caps are not available as replacements.

KIT CODE	REF. NO. REF.	PART NO.	DESCRIPTION	QTY.
	1	97334569	ASSEMBLY, PISTON/CONNECTING ROD — H. P.	1
	2	97334353	ASSEMBLY, PISTON/PIN — H.P.	1
	3	56260599	ROD, CONNECTING — H.P.	1
B	4	NSS	BEARING, NEEDLE	1
R	5	NSS	RING, COMPRESSION	1
R	6	NSS	RING, SCRAPER	1
R	7	NSS	RING, OIL CONTROL SET	1
B	#	#	CAP, WRIST PIN OR RING, LOCK	2

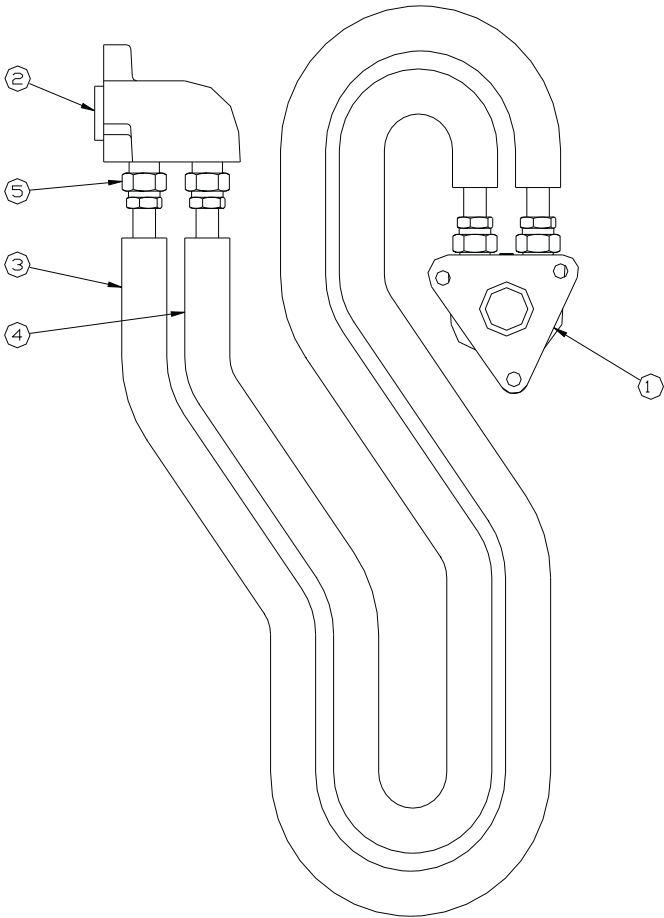
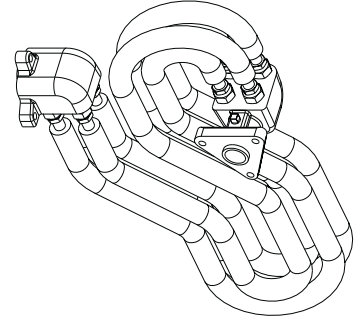
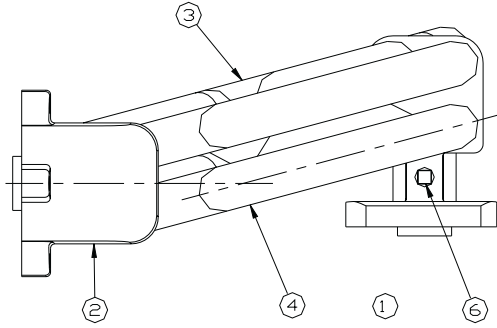
**Intercooler Assembly (Left Side)**



KIT CODE	REF. NO.	PART NO.	DESCRIPTION	QTY.
	REF. 97338636		ASSEMBLY, INTERCOOLER — LEFT	
	1	56281124	● MANIFOLD, L.P. — LEFT	1
	2	56281132	● MANIFOLD, H.P.	1
	3	97338644	● ASSEMBLY, TUBE — INTERCOOLER 1	2
	4	97338651	● ASSEMBLY, TUBE — INTERCOOLER 2	2
	5	95083226	● CONNECTOR, MALE — 5/8 X 1/2	8
	6	95033593	● PLUG, PIPE — 1/4	1



**Intercooler Assembly (Right Side)**



KIT CODE	REF. NO.	PART NO.	DESCRIPTION	QTY.
	97338628		ASSEMBLY, INTERCOOLER — RIGHT	1
1	56281116		● MANIFOLD, L.P. — RIGHT	1
2	56281132		● MANIFOLD, H.P.	1
3	97338644		● ASSEMBLY, TUBE — INTERCOOLER 1	2
4	97338651		● ASSEMBLY, TUBE — INTERCOOLER 2	2
5	95083226		● CONNECTOR, MALE — 5/8 X 1/2	8
6	95033593		● PLUG, PIPE — 1/4	1

## KITS & ACCESSORIES

### START-UP KIT

Each start-up kit contains enough Ingersoll-Rand synthetic compressor lubricant and air filter elements to start-up and maintain your unit for the first year.

PART NO.	DESCRIPTION
20102877	KIT, START-UP

### INGERSOLL-RAND SYNTHETIC COMPRESSOR LUBRICANT

PART NO.	DESCRIPTION
32318875	LUBRICANT, ONE QUART BOTTLE
32318883	LUBRICANT, 12-PACK OF ONE QUART BOTTLES

### AIR FILTER ELEMENT

PART NO.	DESCRIPTION
32012957	ELEMENT, AIR FILTER (STANDARD)
37161577	ELEMENT, AIR FILTER (HEAVY DUTY)

### STEP SAVER KITS

PART NO.	DESCRIPTION
20103081	KIT, VALVE/GASKET
20103099	KIT, RING/GASKET
20103107	KIT, BEARING/GASKET

### OVERHAUL KIT

Overhaul Kits contains all the Step Saver Kits described above plus standard air filter elements for complete overhaul service.

PART NO.	DESCRIPTION
20103115	KIT, OVERHAUL

### CRANKCASE HEATER KIT

Crankcase heaters are recommended when ambient temperatures are consistently below 32°F (0°C). An easy-to-install external crankcase heater kit is intended for aftermarket use.

PART NO.	DESCRIPTION
97330385	KIT, CRANKCASE HEATER

### MULTI-PURPOSE AIR HOSES

These air hose assemblies are heavy duty, light weight hoses designed for 300 PSIG working pressure.

PART NO.	DESCRIPTION
32323750	HOSE, AIR — 3/8" X 25' (1/4" MALE NPT)
32323768	HOSE, AIR — 3/8" X 50' (1/4" MALE NPT)
32323776	HOSE, AIR — 3/8" X 100' (1/4" MALE NPT)

### Y-STRAINERS

Y-strainers are designed to prevent foreign particles from moving downstream.

PART NO.	DESCRIPTION
32323628	Y-STRAINER, 1/4"
32323636	Y-STRAINER, 1/2"

## NOTES

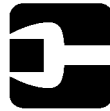
**NOTES**

## LOOK WHAT INGERSOLL-RAND CAN DO FOR YOU!



### Efficient Field Service

We maintain a highly trained staff of technicians to service your equipment for preventive maintenance, or to assist you should emergencies ever occur.



### Complete Repair Service

Our trained technicians will repair or overhaul your equipment to factory specifications, using only genuine I-R parts.



### Special Engineering Service

We can help you identify and solve your problems by evaluating your needs and recommending the proper equipment to give you maximum efficiency.



### Spare Parts

By stocking genuine I-R spare parts, we can help you avoid costly delays or substituting inferior parts. Using genuine I-R parts on your I-R equipment will help to keep even older equipment running in good-as-new condition.



### Complete Stock of Equipment

We carry a complete line of I-R equipment and accessories designed to meet any compressed air application. We are backed by I-R's prompt factory shipment to ensure you on-time delivery.

## A SUBSTITUTE IS NOT A REPLACEMENT!

Ensure you get peak performance and longevity out of your Ingersoll-Rand product by insisting on genuine Ingersoll-Rand replacement parts and maintenance kits. Not only are the replacement parts made to precise dimensions and OEM-specified metallurgy, but each part is backed by the Ingersoll-Rand warranty. Your local Air Center, Distributor, or direct Ingersoll-Rand salesperson will work with you to ensure you get the parts you need to do the job right. Equip your machines with only the best — Ingersoll-Rand genuine parts.

**NOTE: THE USE OF REPAIR PARTS OTHER THAN THOSE INCLUDED WITHIN THE INGERSOLL-RAND COMPANY APPROVED PARTS LIST MAY CREATE UNSAFE CONDITIONS OR MECHANICAL FAILURES OVER WHICH INGERSOLL-RAND COMPANY HAS NO CONTROL. INGERSOLL-RAND COMPANY SHALL BEAR NO RESPONSIBILITY FOR EQUIPMENT ON WHICH NON-APPROVED REPAIR PARTS ARE INSTALLED.**

The manufacturer reserves the right to make changes or add improvements without notice and without incurring any obligation to make such changes to products previously sold.

## Questions? Parts? Service?

**1-800 AIR SERV**

**Visit our website:**

**[www.air.ingersoll-rand.com](http://www.air.ingersoll-rand.com)**

### INFORMACIONES GENERALES

Este manual contiene un despiece ilustrado de la bomba en conjuntos, subconjuntos y piezas individuales que se requieren para el mantenimiento y reparación. Por favor guarde este manual para futura referencia.

### COLUMNAS

Cada lista de piezas se divide en las siguientes columnas:

**CÓDIGO DE CONJUNTO.** En esta columna se identifican las piezas que se incluyen en uno o más juegos ahorrapasos. Los juegos ahorrapasos proporcionan todas las piezas que se necesitan para realizar reparaciones habituales, como el reemplazo de anillos de pistón o el reemplazo de válvulas.

Los siguientes caracteres pueden aparecer en la columna CÓDIGO DE CONJUNTO.

- V = Piezas que se incluyen en un juego de válvula/empaquetadura. Estos conjuntos contienen piezas que se desgastan en las válvulas y empaquetaduras de culata que se destruyen al reemplazar las piezas de las válvulas.
- R = Piezas que se incluyen en un juego de anillos/empaquetaduras. Estos juegos contienen un conjunto completo de los anillos de pistón y empaquetaduras que se destruyen al desarmar la unidad para reemplazar los anillos.
- B = Piezas que se incluyen en un juego de rodamientos/empaquetaduras. Estos juegos contienen un conjunto completo de los rodamientos, sellos y empaquetaduras que se destruyen al desarmar la unidad para reemplazar los rodamientos.

**Nº DE REF (NÚMERO DE REFERENCIA).** En esta columna se enumera el número de llamada en la ilustración que identifica ese ítem.

Las siguientes abreviaturas podrían aparecer en la columna NÚMERO DE REFERENCIA:

- NI = No se ilustra.
- REF = Sólo referencia. Se le puede referir a una figura y página anotadas en la columna Descripción.

Otros símbolos o abreviaturas que se usen se definen en la misma página en que aparecen.

**DESCRIPCIÓN** En la columna DESCRIPCIÓN se identifican los ítems por nombre estándar (nomenclatura) y modificadores. Los

modificadores se usan para identificar características específicas (dimensiones, capacidad, ajuste de presión, etc.), y/o la función o ubicación particular de la unidad. La relación de un subconjunto o pieza componente con conjuntos más amplios se indica con símbolos de "viñeta" (•). En los conjuntos que se descomponen en listas e ilustraciones separadas, se muestra el número de figura y referencia de página apropiados después de la descripción del ítem. Cuando haga un pedido, indique siempre la descripción de la pieza.

**CANT. (CANTIDAD).** Las cantidades enumeradas en esta columna reflejan la cantidad de cada ítem que se usa en el siguiente conjunto más amplio y no necesariamente la cantidad total de esa pieza que se usa en la unidad. Cuando haga un pedido, especifique la cantidad deseada.

**Nº DE PIEZA (NÚMERO DE PIEZA).** Los artículos que se enumeran en esta columna llevan los números de pieza de Ingersoll-Rand. Al pedir piezas de repuesto o reemplazo, especifique el número de pieza.

Los siguientes símbolos o abreviaturas podrían aparecer en la columna NÚMERO DE PIEZA:

- NSS = No se vende por separado. Tales piezas se deben pedir como parte del siguiente conjunto más amplio o, si procede, como parte de un juego ahorrapasos.
- \* \* = El número de pieza cambiará. Para mayores detalles, comuníquese con Ingersoll-Rand.

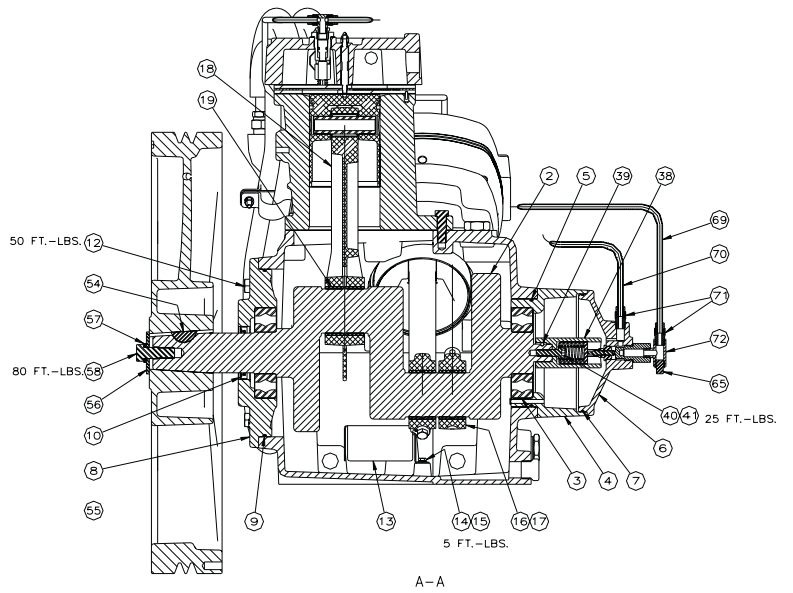
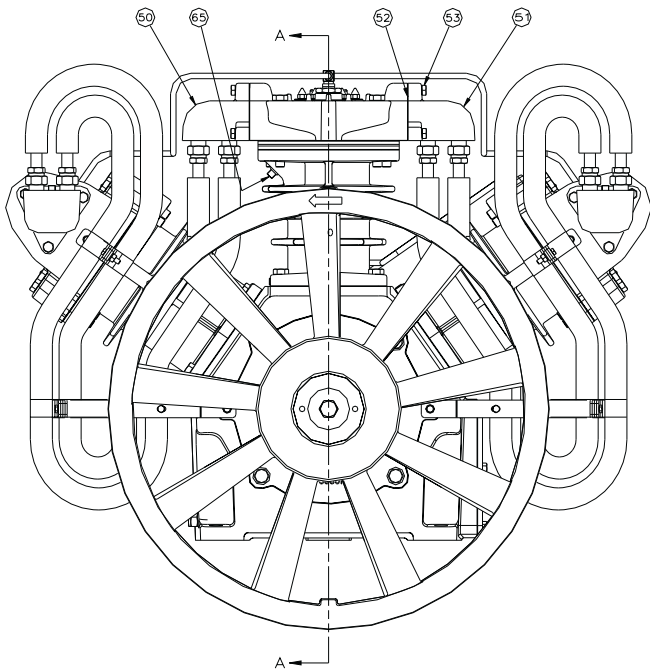
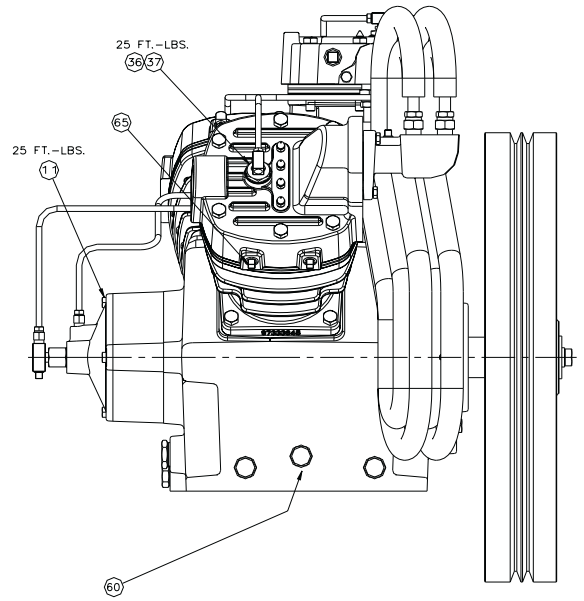
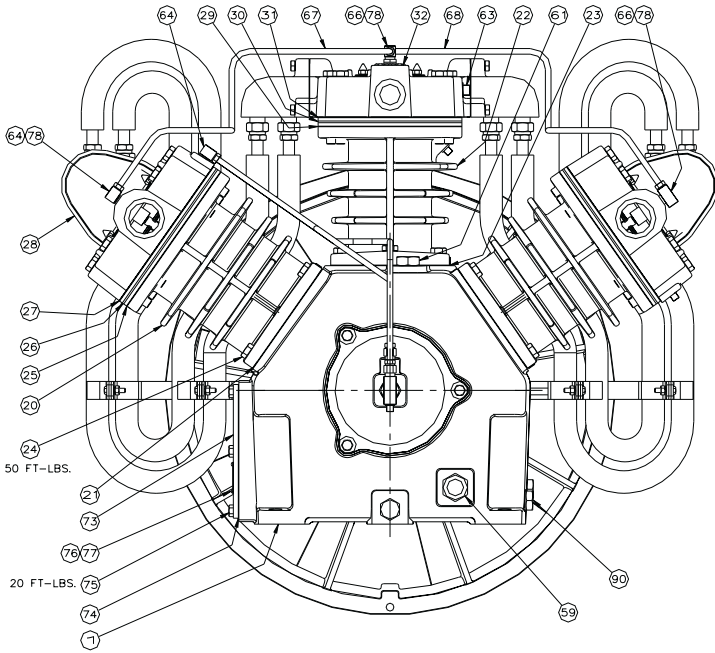
Otros símbolos o abreviaturas que se usen se definen en la misma página en que aparecen.

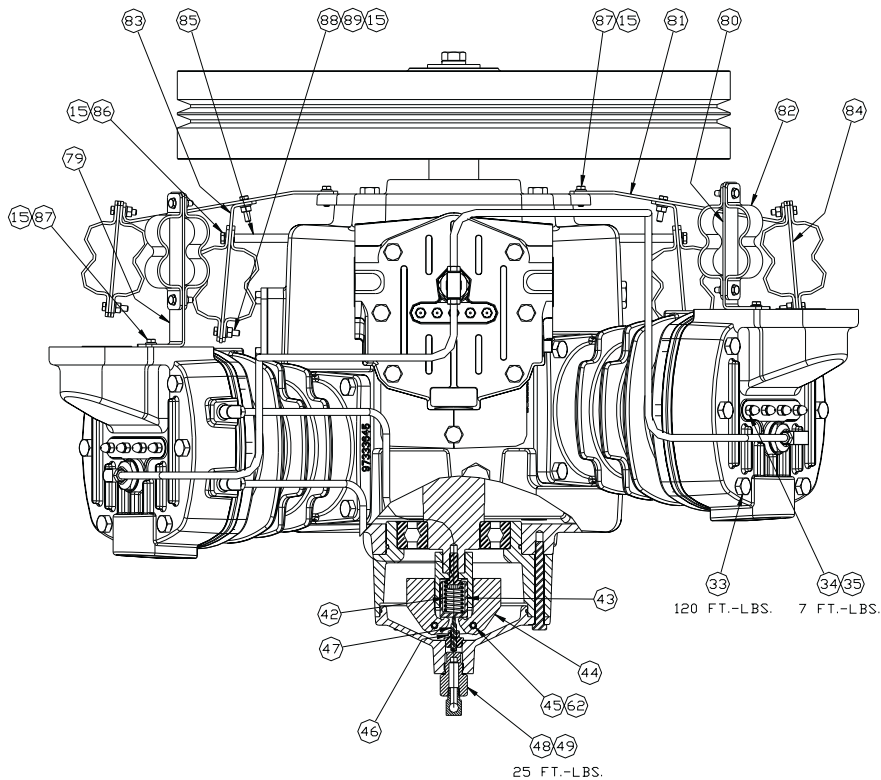
### INSTRUCCIONES PARA PEDIDOS

Todas las piezas enumeradas en este manual se pueden ordenar a través de su Centro de Aire o Distribuidor Ingersoll-Rand local. Para encontrar el Centro de Aire o Distribuidor de su área, consulte el Directorio de distribuidores que se incluye con la unidad, llame al **1-800 AIR SERV** o visite nuestro sitio web en <http://www.air.ingersoll-rand.com> para mayor información.

Al hacer su pedido, incluya la siguiente información:

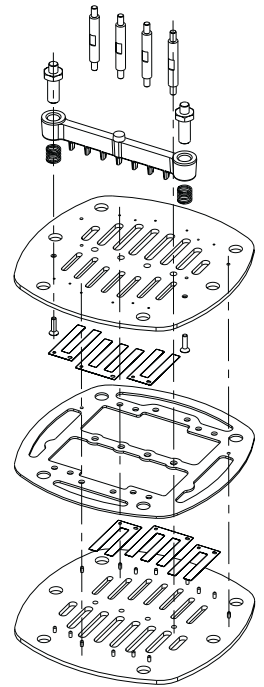
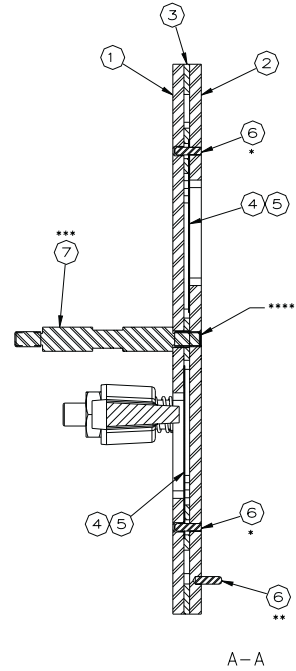
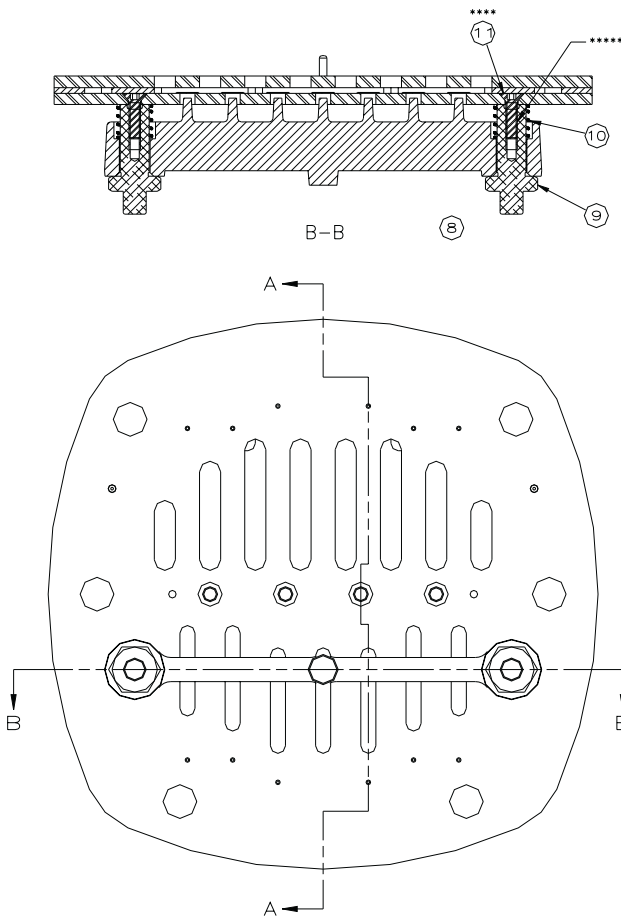
- El **número de modelo** y **número de serie** estampados en la placa de nombre de unidad.
- El **número de formulario** de este manual que se indica en la esquina derecha inferior de la portada.
- La **cantidad, descripción y número de pieza** de la o las piezas que usted está ordenando.





CÓDIGO CONJ.	Nº ÍTEM	Nº PIEZA	DESCRIPCIÓN	CANT.	CÓDIGO CONJ.	Nº ÍTEM	Nº PIEZA	DESCRIPCIÓN	CANT.
	1	56286438	ARMAZÓN, COMPRESOR	1	53	95035358	TORNILLO PRISIONERO HEXAGONAL, 3/8-16 X 1,25"	12	
	2	97333876	CIGÜENAL	1	B.	54	95083721	CHAVETA WOODRUFF, 5/16" x 1-1/2"	1
B.	3	56260581	RODAMIENTO DE BOLA	2	55	97337273	RUEDA DE CORREA	1	
	4	97333892	CAJA, RODAMIENTOS/DESCARGADOR	1	B.	56	56268923	ARANDELA, RUEDA DE CORREA	1
B.	5	95023404	JUNTA TÓRICA, CAJA DE RODAMIENTOS/DESCARGADOR	1	57	95081790	ARANDELA DE SEGURIDAD, RESORTE -5/8"	1	
	6	97333934	CUBIERTA, DESCARGADOR CENTRÍFUGO	1	58	95373585	TORNILLO PRISIONERO HEXAGONAL, 5/8-11 X 1,75"	1	
B.	7	95154027	JUNTA TÓRICA, CUBIERTA DEL DESCARGADOR	1	59	97330245	VISOR DE ACEITE - NPT 1"	1	
	8	97333900	CUBIERTA EXTREMO DE LA ARMAZÓN	1	60	95200333	TAPÓN ROSCADO MACHO - HEXAGONAL NPT 3/4"	2	
B.	9	95041919	JUNTA TÓRICA, CUBIERTA DEL EXTREMO DE LA ARMAZÓN	1	61	39498522	TAPÓN, BOCA DE LLENADO DE ACEITE	1	
	10	56260607	RETÉN, ACEITE	1	62	90799271	ALAMBRE DE SEGURIDAD, ACERO	1	
	11	95103891	TORNILLO PRISIONERO HEXAGONAL, 3/8-16 X 3,75"	3	63	95033619	TAPÓN ROSCADO MACHO - CAB. CUADR. 1/2"	1	
	12	95053047	TORNILLO PRISIONERO HEXAGONAL, 1/2-13 X 1,25"	4	64	95110441	CODO, TUBO 5/16" T x NPT 1/4"	3	
	13	97334593	DEFLECTOR, INTERRUPTOR DE NIVEL DE ACEITE	1	65	95033593	TAPÓN ROSCADO MACHO - CAB. CUADR. 1/4"	4	
	14	95053070	TORNILLO PRISIONERO HEXAGONAL, 1/4-20 X 0,50"	2	66	95369815	TE, TUBO 5/16" T x NPT 1/4"	2	
	15	95043196	ARANDELA DE SEGURIDAD, RESORTE - 1/4"	20	67	97338800	CONJ. DE TUBOS - DESCARGADOR DE LA CULATA	1	
	16	97334502	CONJ., PISTÓN/VARILLA - 5,5" L. P. (VER PÁGINA 6)	2	68	97338818	CONJ. DE TUBOS - DESCARGADOR DE LA CULATA	1	
B.	17	97333959	RODAMIENTO, INSERCIÓN - L. P.	4	69	97338842	CONJ. DE TUBOS - VALVULA PILOTO/CULATA	1	
	18	97335921	CONJ., PISTÓN/VARILLA - 4" H. P. (VER PÁGINA 7)	1	70	97338834	CONJ. DE TUBOS - CUBIERTA DEL DESCARGADOR/CULATA	1	
B.	19	97333967	RODAMIENTO, INSERCIÓN - H. P.	2	71	32157554	CONECTOR, 5/16" T x NPT 1/4"	2	
	20	97333918	CILINDRO, 5,5" L. P.	2	72	32221228	TE, DERIVACIÓN MACHO NPT 1/4"	1	
B.	21	97334460	EMPAQUETADURA, CILINDRO/ARMAZÓN - L. P.	2	73	56289010	CUBIERTA DE LA ARMAZÓN - COSTADO	1	
	22	97333926	CILINDRO, 4" H. P.	1	B.	74	56289002	EMPAQUETADURA, CUBIERTA LATERAL	1
B.	23	97334486	EMPAQUETADURA, CILINDRO/ARMAZÓN - H. P.	1	75	95103743	TORNILLO PRISIONERO HEXAGONAL, 3/8-16 X 1"	10	
	24	95104170	TORNILLO PRISIONERO HEXAGONAL, 1/2-13 X 1,50" LG.	13	76	NSS	PLACA DE NOMBRE	1	
V	25	54387733	EMPAQUETADURA, PLACA DE VALVULA/CILINDRO - L. P.	2	77	95987525	HUSILLO DE IMPULSIÓN	4	
	26	20100210	CONJ., PLACA DE VALVULA - L. P. (VER PÁGINA 4)	2	78	95038147	BUJE REDUCTOR, 3/8" x 1/4"	3	
V	27	56284490	EMPAQUETADURA DE CULATA - L. P.	2	79	54405485	ANCLAJE, CULATA/INTERENFRIADOR - IZQUIERDO	1	
	28	56280480	CULATA, L. P.	2	80	54405493	ANCLAJE, CULATA/INTERENFRIADOR - DERECHO	1	
V	29	54387741	EMPAQUETADURA, PLACA DE VALVULA/CILINDRO - H. P.	1	81	54405501	ANCLAJE, PRINCIPAL - PARTE INFERIOR DEL INTERENFRIADOR	2	
	30	20100228	CONJ., PLACA DE VALVULA - H. P. (VER PÁGINA 5)	1	82	54405519	ABRAZADERA, TUBO DEL INTERENFRIADOR	12	
V	31	56284508	EMPAQUETADURA, CULATA - H. P.	1	83	54405527	ANCLAJE, PARTE INFERIOR DEL INTERENFRIADOR - INTERIOR	2	
	32	56280498	CULATA, H. P.	1	84	54405535	ANCLAJE, PARTE INFERIOR DEL INTERENFRIADOR - EXTERIOR	2	
V	33	95717385	TORNILLO PRISIONERO HEXAGONAL, 1/2-13 X 3,75"	18	85	54405543	ESPACIADOR, ANCLAJE DE MONTAJE DEL INTERENFRIADOR	2	
	34	32255903	EMPAQUETADURA, ARANDELA DE COBRE - 1/4"	13	86	95052908	TORNILLO PRISIONERO HEXAGONAL, 1/4-20 X 3,5"	2	
	35	56286248	TUERCA CIEGA - 1/4-28 CORONA ALTA UNF	13	87	95079802	TORNILLO PRISIONERO HEXAGONAL, 1/4-20 X 3/4"	4	
	36	97339568	CONJ., CUERPO DEL DESCARGADOR	3	88	95079893	TORNILLO PRISIONERO HEXAGONAL, 1/4-20 X 1"	12	
V	37	95744322	EMPAQUETADURA, ARANDELA DE COBRE - 1,031"	3	89	95077681	TUERCA HEXAGONAL, 1/4-20 UNC	12	
	38	97333942	CUERPO, ÉMBOLO DEL DESCARGADOR	1	90	95344651	TAPÓN ROSCADO MACHO - HEXAGONAL - NPT 1/2"	2	
	39	95301305	BOLA, 3/16" DIÁ.	1					
	40	95055265	TORNILLO PRISIONERO, S. H. 3/8-16 X 1,25"	1					
	41	95081857	ARANDELA DE SEGURIDAD, RESORTE -3/8"	1					
	42	30815898	RESORTE, DESCARGADOR CENTRÍFUGO	1					
	43	30285688	ÉMBOLO, DESCARGADOR CENTRÍFUGO	1					
	44	30220875	PESA, DESCARGADOR CENTRÍFUGO	2					
	45	30214951	PASADOR, PESA DEL DESCARGADOR CENTRÍFUGO	2					
	46	37128261	BUJE, PASADOR DE EMPUJE	1					
	47	32218406	CONJ., PASADOR DE EMPUJE	1					
	NI	NSS	● PASADOR, EMPUJE	1					
	NI	95022695	● JUNTA TÓRICA	1					
	48	37113701	VALVULA, PILOTO	1					
R	49	30346597	ARANDELA DE COBRE -7/8"	1					
	50	97338628	CONJ., INTERENFRIADOR - DERECHO (VER PÁGINA 9)	1					
	51	97338636	CONJ., INTERENFRIADOR - IZQUIERDO (VER PÁGINA 8)	1					
V	52	56285570	EMPAQUETADURA, COLECTOR DEL INTERENFRIADOR	4					

### Válvulas de baja presión (primera etapa)

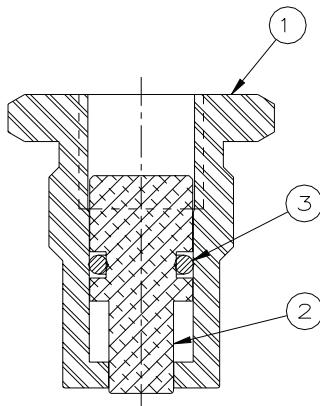


### NOTAS

- \* Presione los pasadores de espiga (Ref. N° 6) dentro de la placa de la válvula de descarga (Ref. N° 2), dejándolos a nivel con la parte inferior de la placa de la válvula de descarga (Ref. N° 2).
- \*\* Presione el pasador de espiga (Ref. N° 6) dentro del lado inferior de la placa de la válvula de descarga (Ref. N° 2), hasta que el pasador de espiga (Ref. N° 5) llegue al fondo del orificio ciego.
- \*\*\* Aplique una torsión de 7 pies lb. a los husillos de la placa de válvula (Ref. N° 7).
- \*\*\*\* Aplique una torsión de 36 pulg. lb. a los tornillos prisioneros (Ref. N° 11).
- \*\*\*\*\* Aplique Loctite 262 o su equivalente a las roscas.

CÓDIGO CONJ.	N° REF.	N° PIEZA	DESCRIPCIÓN	CANT.
V	REF.	20100210	CONJUNTO, PLACA DE VÁLVULA — L. P.	
V	1	54422720	● PLACA DE VÁLVULA — TOMA B.P.	1
V	2	54422738	● PLACA DE VÁLVULA — DESCARGA B.P.	1
V	3	56284516	● EMPAQUETADURA, ESPACIADOR DE LA PLACA DE VÁLVULA B.P.	1
V	4	97334023	● VÁLVULA, TRES DEDOS	2
V	5	97334031	● VÁLVULA, DOS DEDOS	4
V	6	56267818	● PASADOR DE ESPIGA — 1/8 X 7/16	15
V	7	56285562	● HUSILLO, PLACA DE VÁLVULA — 1/4-28	4
V	8	56282304	● HORQUILLA DEL DESCARGADOR — SIETE DEDOS	1
	9	56282312	● GUÍA, HORQUILLA DEL DESCARGADOR	2
	10	56283765	● RESORTE, HORQUILLA DEL DESCARGADOR	2
	11	95389698	● TORNILLO PRISIONERO, CASQUILLO HEXAGONAL	2

### Conjunto del cuerpo del descargador



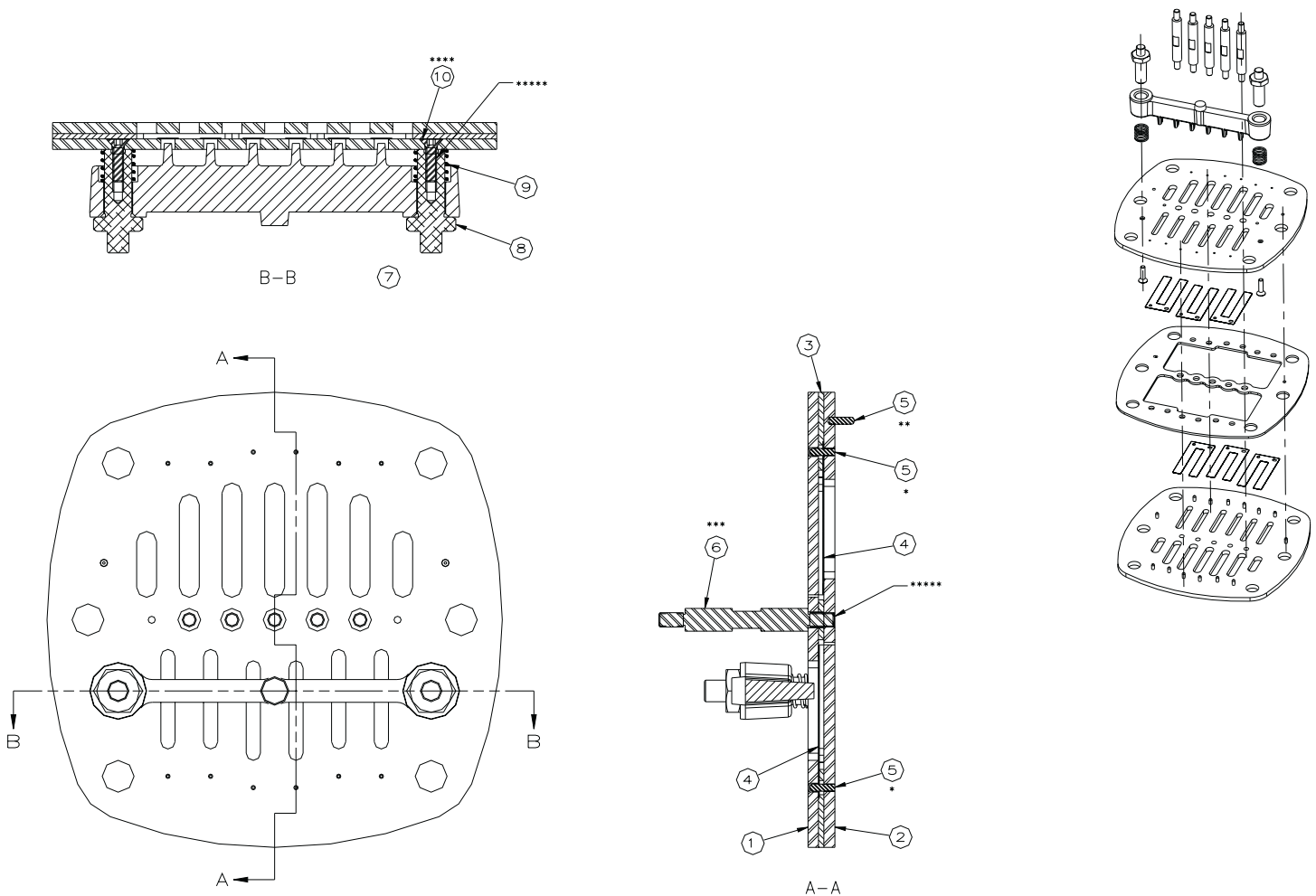
CÓDIGO CONJ.	N° REF.	N° PIEZA	DESCRIPCIÓN	CANT.
REF.	97339568	CONJUNTO, CUERPO DESCARGADOR		
1	54392469	● CUERPO, DESCARGADOR		1
2	54392451	● PISTÓN, DESCARGADOR		1
3	54392337	● JUNTA TÓRICA, PISTÓN DESCARGADOR		1

### NOTAS

- Aplique grasa de silicona de alta temperatura a la junta tórica u O-ring (Ref. N° 3).



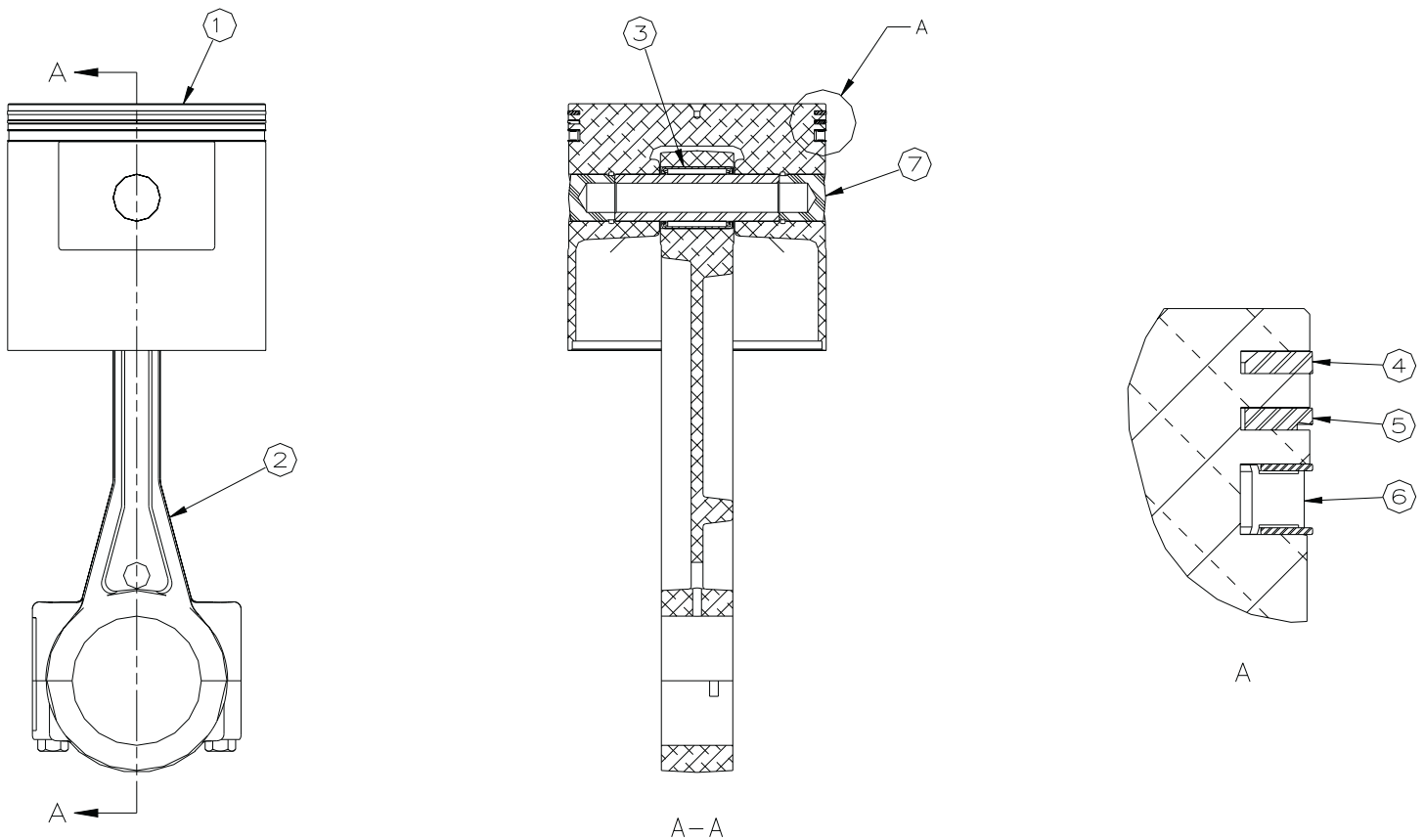
### Válvula de alta presión (segunda etapa)



### NOTAS

- \* Presione los pasadores de espiga (Ref. N° 5) dentro de la placa de la válvula de descarga (Ref. N° 2), dejándolos a nivel con la parte inferior de la placa de la válvula de descarga (Ref. N° 2).
- \*\* Presione el pasador de espiga (Ref. N° 5) dentro del lado inferior de la placa de la válvula de descarga (Ref. N° 2) hasta que el pasador de espiga (Ref. N° 5) llegue al fondo del orificio ciego.
- \*\*\* Aplique una torsión de 7 pies lb. a los husillos de la placa de válvula (Ref. N° 6).
- \*\*\*\* Aplique una torsión de 36 pulg. lb. a los tornillos prisioneros (Ref. N° 10).
- \*\*\*\*\* Aplique Loctite 262 o su equivalente a las roscas.

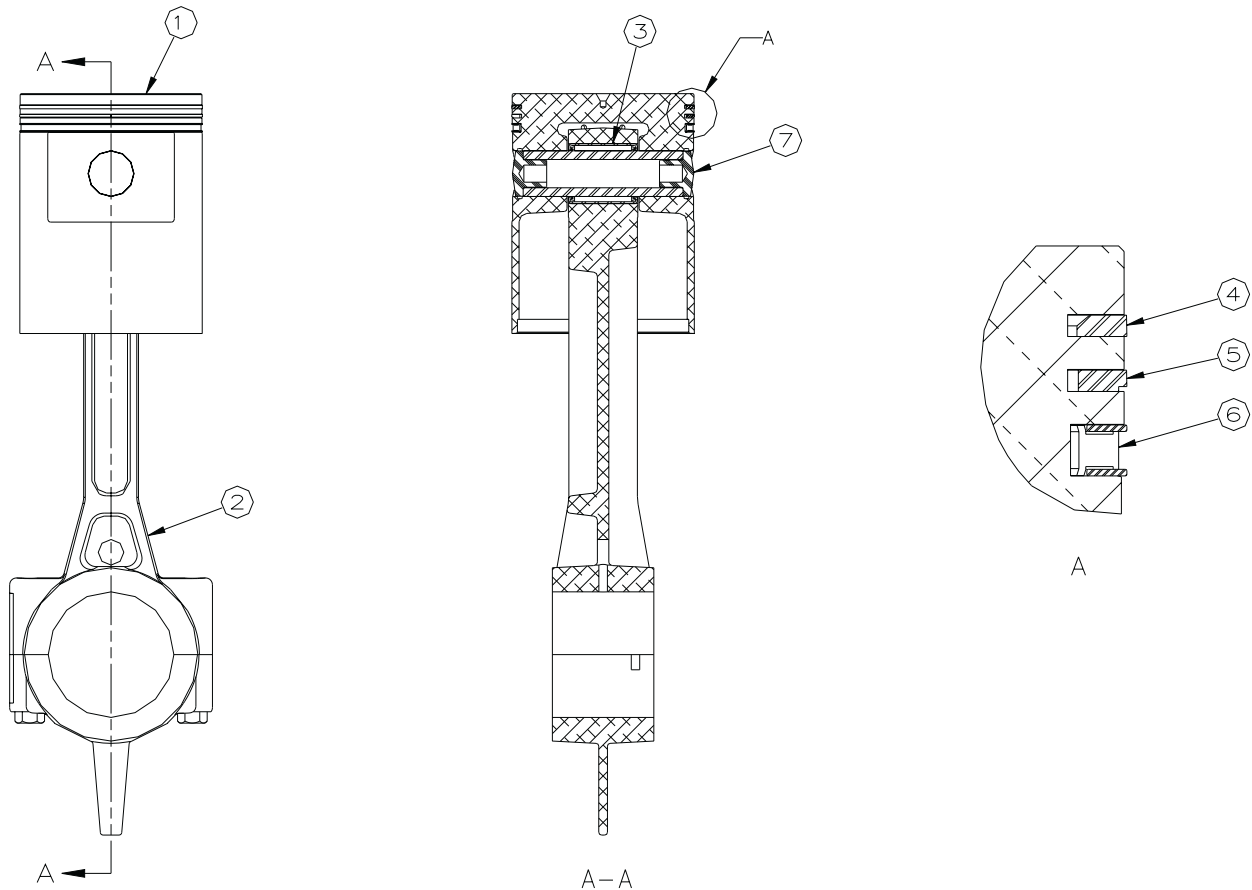
CÓDIGO CONJ.	N° REF.	N° PIEZA	DESCRIPCIÓN	CANT.
V	1	20100228	CONJUNTO, PLACA DE VÁLVULA — H. P.	1
V	2	54422746	● PLACA DE VÁLVULA-ADMISIÓN A.P.	1
V	3	54422761	● PLACA DE VÁLVULA-DESCARGA A.P.	1
V	4	97334114	● EMPAQUETADURA, ESPACIADOR DE LA PLACA DE VÁLVULA A.P.	1
V	5	97334031	● VÁLVULA DE DOS DEDOS	6
V	6	56267818	● PASADOR DE ESPIGA — 1/8 X 7/16	15
	6	56285562	● HUSILLO, PLACA DE VÁLVULA — 1/4-28	5
	7	56282296	● HORQUILLA DEL DESCARGADOR — SEIS DEDOS	1
	8	56282312	● GUÍA, HORQUILLA DEL DESCARGADOR	2
	9	56283765	● RESORTE, HORQUILLA DEL DESCARGADOR	2
	10	95389698	● TORNILLO PRISIONERO, CASQUILLO HEXAGONAL	2

**Pistón de baja presión (primera etapa)****NOTAS**

- Instale el anillo de compresión (Ref. N° 4) y el anillo raspador (Ref. N° 5) con la marca de los anillos mirando hacia arriba.
- Los anillos de pistón de baja presión (Ref. N° 4-6) están disponibles en el conjunto de anillos 20103123. No se venden anillos individuales de manera separada.

# Es posible que su unidad tenga anillos obturadores o casquetes de pasadores de pistón. Hay disponible anillos obturadores (N° de pieza 30288450) como piezas de recambio para casquetes o anillos. No hay disponible casquetes de pasadores de pistón como piezas de recambio.

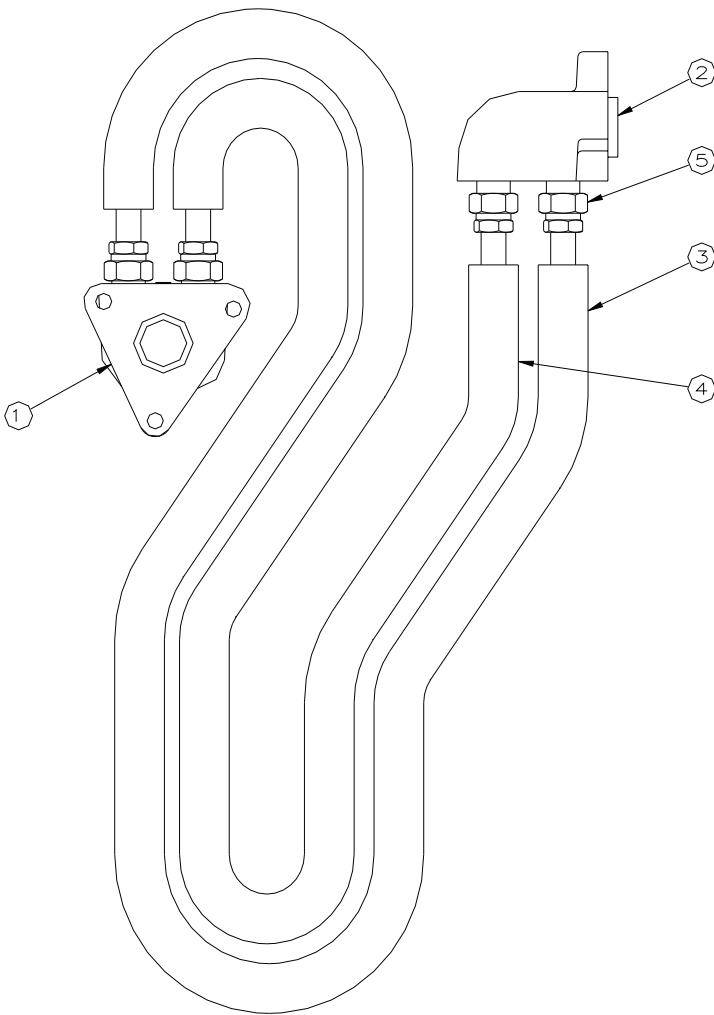
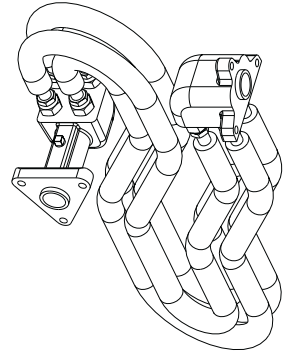
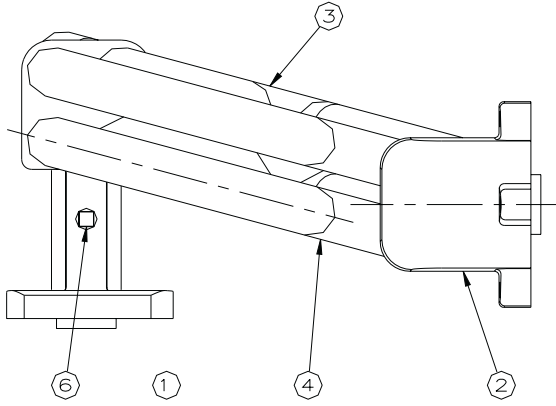
CÓDIGO CONJ.	N° REF.	N° PIEZA	DESCRIPCIÓN	CANT.
	REF.	NSS	CONJUNTO DE PISTÓN/BIELA DE CONEXIÓN — L. P.	
	1	97334494	● CONJUNTO DE PISTÓN/PASADOR — B.P.	1
	2	97334320	● BIELA DE CONEXIÓN — B.P.	1
B.	3	56260599	● RODAMIENTO DE AGUJA	1
R	4	NSS	● ARO DE COMPRESIÓN	1
R	5	NSS	● ARO DEPURADOR	1
R	6	NSS	● ARO, JUEGO DE REGULACIÓN DEL ACEITE	1
B.	7	#	● TAPA, CASQUETE PASADOR O ANILLO, OBTURADOR	2

**Pistón de alta presión (segunda etapa)****NOTAS**

- Instale el anillo de compresión (Ref. N° 4) y el anillo raspador (Ref. N° 5) con la marca de los anillos mirando hacia arriba.
- Los anillos de pistón de alta presión (Ref. N° 4-6) están disponibles en el conjunto de anillos 20103131. No se venden anillos individuales de manera separada.

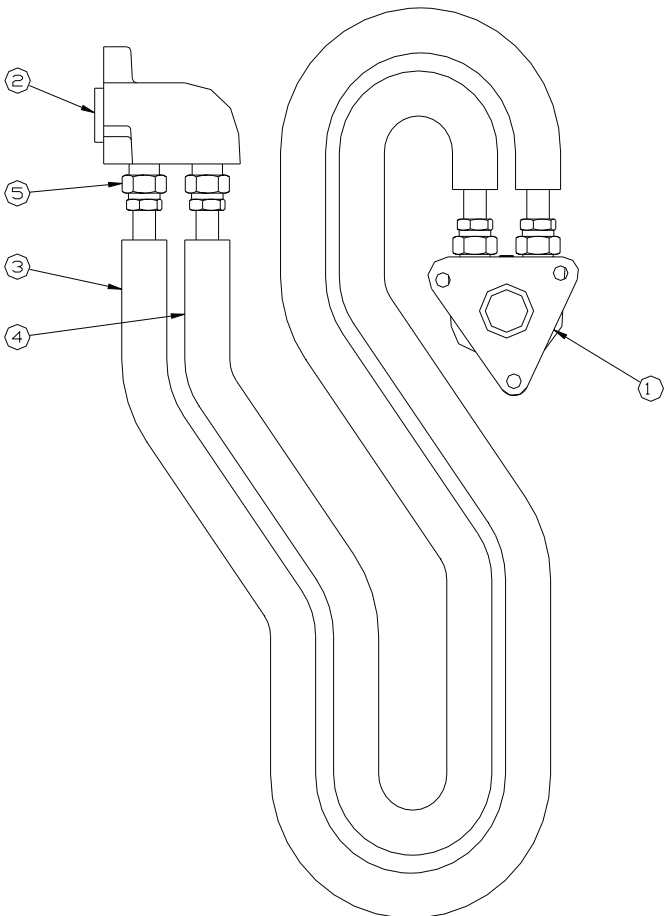
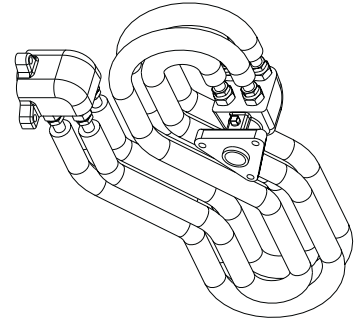
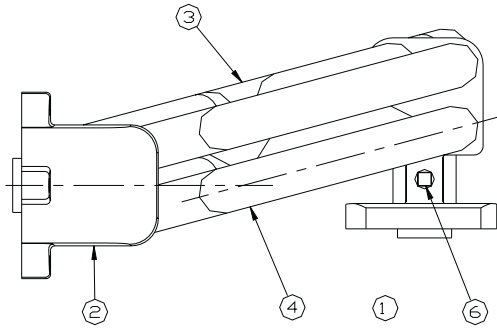
CÓDIGO	N° REF.	N° PIEZA	DESCRIPCIÓN	CANT.
CONJ.	REF.		CONJUNTO DE PISTÓN/BIELA DE CONEXIÓN — H. P.	
	1	97334569	CONJUNTO DE PISTÓN/PASADOR — A.P.	1
	2	97334353	BIELA DE CONEXIÓN — A.P.	1
B.	3	56260599	RODAMIENTO DE AGUJA	1
R	4	NSS	ARO DE COMPRESIÓN	1
R	5	NSS	ARO DEPURADOR	1
R	6	NSS	ARO, JUEGO DE REGULACIÓN DEL ACEITE	1
B.	7	54429246	TAPA, PASADOR DEL PISTÓN — A.P.	2

**Conjunto interenfriador (lado izquierdo)**



CÓDIGO CONJ.	Nº REF.	Nº PIEZA	DESCRIPCIÓN	CANT.
	REF.	97338636	CONJUNTO INTERENFRIADOR — IZQUIERDO	
	1	56281124	● COLECTOR B.P. — IZQUIERDA	1
	2	56281132	● COLECTOR A.P.	1
	3	97338644	● CONJUNTO TUBOS — INTERENFRIADOR 1	2
	4	97338651	● CONJUNTO TUBOS — INTERENFRIADOR 2	2
	5	95083226	● CONECTOR MACHO — 5/8 X 1/2	8
	6	95033593	● TAPÓN ROSCADO MACHO — 1/4	1

**Conjunto interenfriador (lado derecho)**



CÓDIGO CONJ.	Nº REF.	Nº PIEZA	DESCRIPCIÓN	CANT.
	REF.	97338628	CONJUNTO INTERENFRIADOR — DERECHO	
	1	56281116	● COLECTOR B.P. — DERECHO	1
	2	56281132	● COLECTOR A.P.	1
	3	97338644	● CONJUNTO DE TUBOS — INTERENFRIADOR 1	2
	4	97338651	● CONJUNTO DE TUBOS — INTERENFRIADOR 2	2
	5	95083226	● CONECTOR MACHO — 5/8 X 1/2	8
	6	95033593	● TAPÓN ROSCADO MACHO — 1/4	1

## CONJUNTOS Y ACCESORIOS

### CONJUNTO DE PUESTA EN MARCHA

Cada conjunto de puesta en marcha contiene suficiente lubricante sintético Ingersoll-Rand para compresores y elementos de filtros de aire para poner en marcha y mantener su unidad durante el primer año.

N° DE PIEZA	DESCRIPCIÓN
20102877	CONJUNTO de PUESTA EN MARCHA

### LUBRICANTE SINTÉTICO INGERSOLL-RAND PARA COMPRESORES

N° DE PIEZA	DESCRIPCIÓN
32318875	LUBRICANTE, BOTELLA DE UN CUARTO
32318883	LUBRICANTE, PAQUETE DE 12 BOTELLAS DE UN CUARTO

### ELEMENTO DE FILTRO DE AIRE

N° DE PIEZA	DESCRIPCIÓN
32012957	ELEMENTO, FILTRO DE AIRE (ESTÁNDAR)
37161577	ELEMENTO, FILTRO DE AIRE (USO INTENSIVO)

### JUEGOS AHORRAPASOS

N° DE PIEZA	DESCRIPCIÓN
20103081	JUEGO DE VÁLVULAS/EMPAQUETADURAS
20103099	JUEGO DE ANILLOS/EMPAQUETADURAS
20103107	JUEGO DE RODAMIENTOS/EMPAQUETADURAS

### JUEGO DE REVISIÓN GENERAL

Los juegos de revisión general contienen todos los juegos ahorrapasos antes descritos, más los elementos estándar de filtro de aire para un completo servicio de revisión general.

N° DE PIEZA	DESCRIPCIÓN
20103115	JUEGO DE REVISIÓN GENERAL

### JUEGO DE CALEFACTORES DEL CÁRTER

Se recomienda usar calefactores del cárter cuando las temperaturas ambiente suelen estar permanentemente por debajo de los 32°F (0°C). Un juego de calefactores externos del cárter, de fácil instalación, está destinado a su uso de posventa.

N° DE PIEZA	DESCRIPCIÓN
97330385	JUEGO DE CALEFACTORES DEL CÁRTER

### CONDUCTOS DE AIRE PARA VARIOS USOS

Estos conjuntos de conductos de aire son conductos livianos para uso intensivo, diseñados para una presión efectiva de 300 PSIG.

N° DE PIEZA	DESCRIPCIÓN
32323750	CONDUCTO DE AIRE - 3/8" X 25' (NPT MACHO DE 1/4")
32323768	CONDUCTO DE AIRE - 3/8" X 50' (NPT MACHO DE 1/4")
32323776	CONDUCTO DE AIRE - 3/8" X 100' (NPT MACHO DE 1/4")

### DEPURADORES EN Y

Los depuradores en Y están diseñados para impedir que partículas extrañas avancen dentro del sistema.

N° DE PIEZA	DESCRIPCIÓN
32323628	DEPURADOR EN Y, 1/4"
32323636	DEPURADOR EN Y, 1/2"

## NOTAS

**NOTAS**

## ¡VEA LO QUE INGERSOLL-RAND PUEDE HACER POR USTED!



### Eficiente servicio en terreno

Mantenemos un personal de técnicos altamente capacitados para proporcionar mantenimiento preventivo a sus equipos o para ayudarle si alguna vez ocurre alguna emergencia.



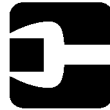
### Servicio de diseño especial

Podemos ayudarle a identificar y resolver sus problemas haciendo una evaluación de sus necesidades y recomendándole los equipos adecuados para maximizar su eficiencia.



### Completa existencia de equipos

Tenemos una completa línea de equipos y accesorios I-R diseñados para cumplir con cualquier aplicación de aire comprimido. Nos respalda el rápido despacho de fábrica de I-R, para asegurarle una entrega oportuna.



### Completo servicio de reparaciones

Nuestros capacitados técnicos repararán sus equipos o les harán una revisión general dejándolos de acuerdo a las especificaciones de fábrica, usando únicamente piezas I-R auténticas.



### Repuestos

Al mantener en existencia repuestos I-R originales, podemos evitarle costosas demoras o la sustitución por piezas de menor calidad. El uso de piezas I-R originales en sus equipos I-R le ayudará a mantener incluso los equipos más antiguos funcionando como si fueran nuevos.

## ¡UN SUBSTITUTO NO ES UN REPUESTO!

Asegúrese de obtener el máximo rendimiento y duración de su producto Ingersoll-Rand insistiendo en usar repuestos y equipos de mantenimiento originales Ingersoll-Rand. Los repuestos no sólo se fabrican de acuerdo a dimensiones exactas y metalurgia especificada por OEM, sino que cada pieza tiene el respaldo de la garantía Ingersoll-Rand. Su Centro de aire, Distribuidor o vendedor directo Ingersoll-Rand en su localidad le ayudarán a asegurarse de que obtendrá las piezas necesarias para hacer bien su trabajo. Equipe sus máquinas sólo con lo mejor : originales piezas Ingersoll-Rand.

NOTA: EL USO DE REPUESTOS DIFERENTES A AQUELLOS QUE SE INCLUYEN EN LA LISTA DE PIEZAS APROBADAS POR LA COMPAÑÍA INGERSOLL-RAND PUEDE CREAR CONDICIONES NO SEGURAS O FALLAS MECÁNICAS QUE ESCAPAN DEL CONTROL DE LA COMPAÑÍA INGERSOLL-RAND. LA COMPAÑÍA INGERSOLL-RAND NO SE HARÁ RESPONSABLE POR EQUIPOS EN LOS QUE SE INSTALEN REPUESTOS NO APROBADOS.

El fabricante se reserva el derecho a hacer cambios o añadir mejoras sin previo aviso y sin incurrir en ninguna obligación de hacer dichos cambios en productos vendidos con anterioridad.

## ¿Preguntas? Piezas? ¿Servicio?

**1-800 AIR SERV**

**Visite nuestro sitio web:**

**[www.air.ingersoll-rand.com](http://www.air.ingersoll-rand.com)**



# Liste de pièces

## pour la Pompe de compresseur d'air Modèle 2000

### INFORMATIONS GÉNÉRALES

Le présent manuel contient des tableaux de composition illustrés des ensembles, sous-ensembles et pièces primaires requises pour la maintenance et la réparation de la pompe. Veuillez conserver ce manuel pour toute référence future.

### COLONNES

Chaque liste de pièces se compose des colonnes suivantes :

**CODE TROUSSE.** Cette colonne identifie les pièces incluses dans une ou plusieurs trousse d'entretien rapide. Ces trousse d'entretien rapide contiennent toutes les pièces nécessaires pour effectuer les réparations courantes comme le remplacement des segments de piston et des soupapes.

Les caractères suivants apparaissent quelquefois sous la colonne CODE TROUSSE.

- V = Pièces incluses dans la trousse de soupape/joint. Ces trousse contiennent des pièces d'usure de soupape et de joint de culasse détruits pendant le remplacement des pièces de soupape.
- R = Pièces incluses dans la trousse de segment/joint. Ces trousse contiennent un jeu complet de segment de piston et de joint statique détruits pendant le démontage de l'unité pour le remplacement des segments.
- B = Pièces incluses dans la trousse de coussinet/joint. Ces trousse contiennent un jeu complet de coussinets, de joints d'étanchéité et de joints statiques détruits pendant le démontage de l'unité pour le remplacement des segments.

**NO. RÉF. (NUMÉRO DE RÉFÉRENCE).** Cette colonne indique les numéros d'appel sur les illustrations identifiant cet article.

Les abréviations suivantes apparaissent quelquefois sous la colonne NUMÉRO DE RÉFÉRENCE :

- NI = Non illustré.
- RÉF. = Référence seulement. Une référence à une figure ou à une page apparaît quelquefois dans la colonne Description.

Les abréviations ou symboles supplémentaires utilisés sont définis sur la page où ils apparaissent.

**DESCRIPTION** La colonne DESCRIPTION identifie un article par son nom habituel (nomenclature) et ses déterminants. Ces déterminants sont utilisés pour l'identification de caractéristiques spécifiques (dimensions, capacité, réglage de pression, etc.), et/ou

l'emplacement ou la fonction particulière sur l'unité. La relation entre un sous-ensemble ou composant et les ensembles supérieurs est indiquée par une "puce" (\*). Les ensembles décomposés dans des listes et illustrations séparées indiquent le numéro de figure approprié ainsi que la référence de page suivant la description de l'article. Vous devez toujours fournir la description de pièce au moment de la commande.

**QTÉ (QUANTITÉ).** Les quantités apparaissant sous cette colonne reflètent le numéro de chaque article utilisé dans l'ensemble supérieur suivant et ne représente pas nécessairement la quantité totale de la pièce utilisée sur l'unité. Vous devez spécifier la quantité désirée au moment de la commande.

**NO. PIÈCE (NUMÉRO DE PIÈCE).** Les articles apparaissant sous cette colonne portent un numéro de pièce Ingersoll-Rand. Vous devez spécifier le numéro de pièce lors de la commande de pièces de rechange.

Les abréviations ou symboles suivants apparaissent quelquefois dans la colonne NUMÉRO DE PIÈCE :

- NSS = Non vendu séparément. Ces articles doivent être commandés avec l'assemblage supérieur suivant ou, le cas échéant, avec la trousse d'entretien rapide.
- \* \* = Numéro de pièce variable. Veuillez communiquer avec Ingersoll-Rand pour de plus amples détails.

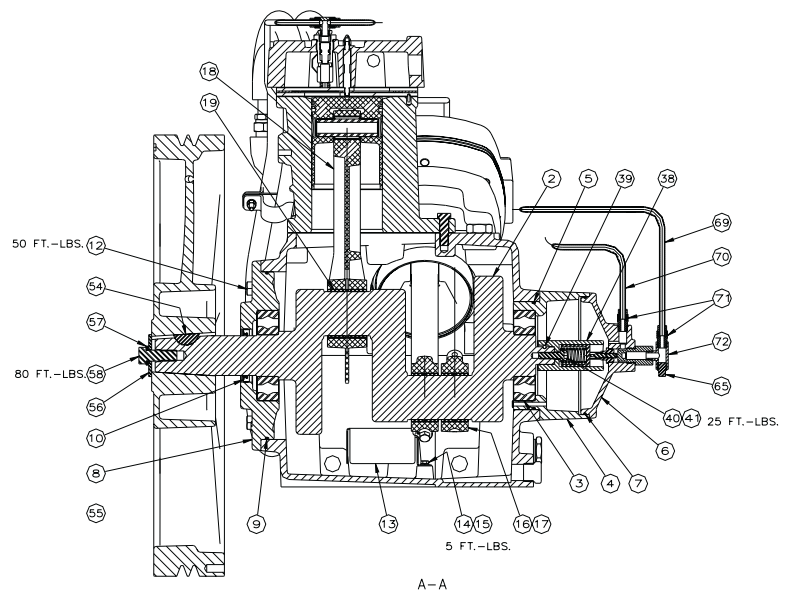
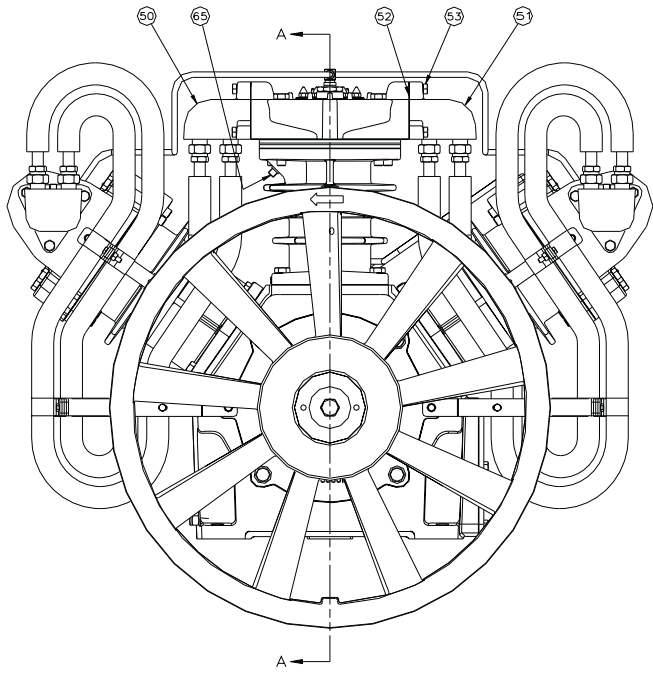
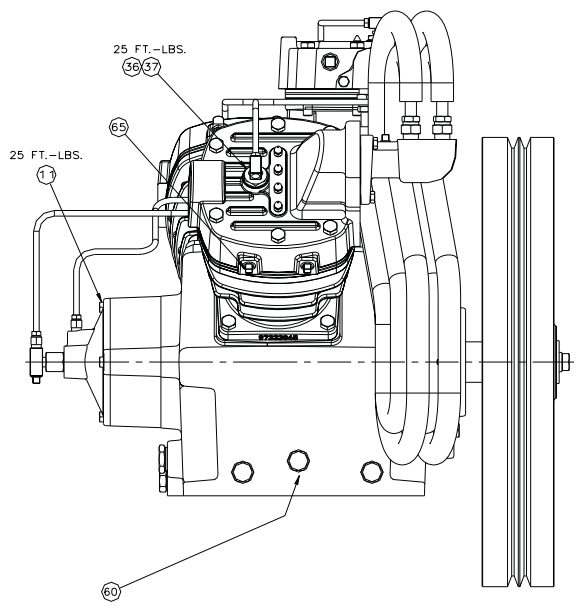
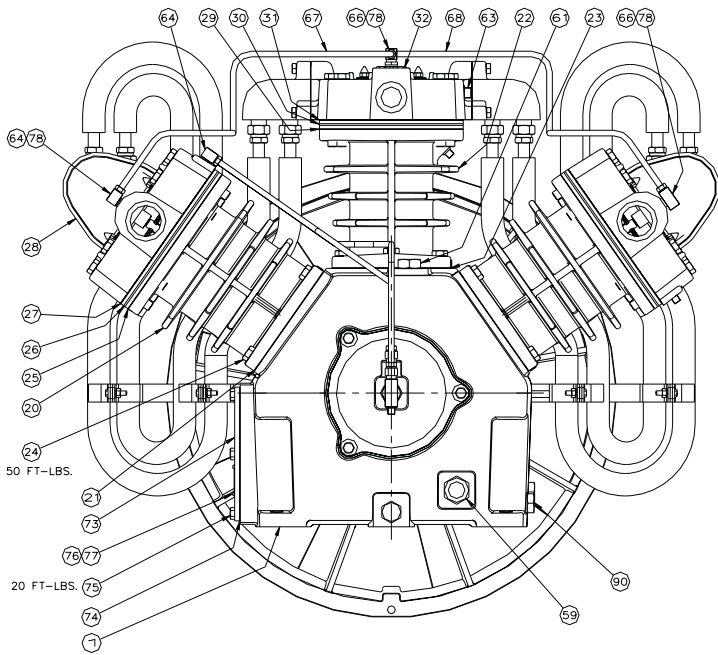
Les abréviations ou symboles supplémentaires utilisés sont définis sur la page où ils apparaissent.

### INSTRUCTIONS DE COMMANDE

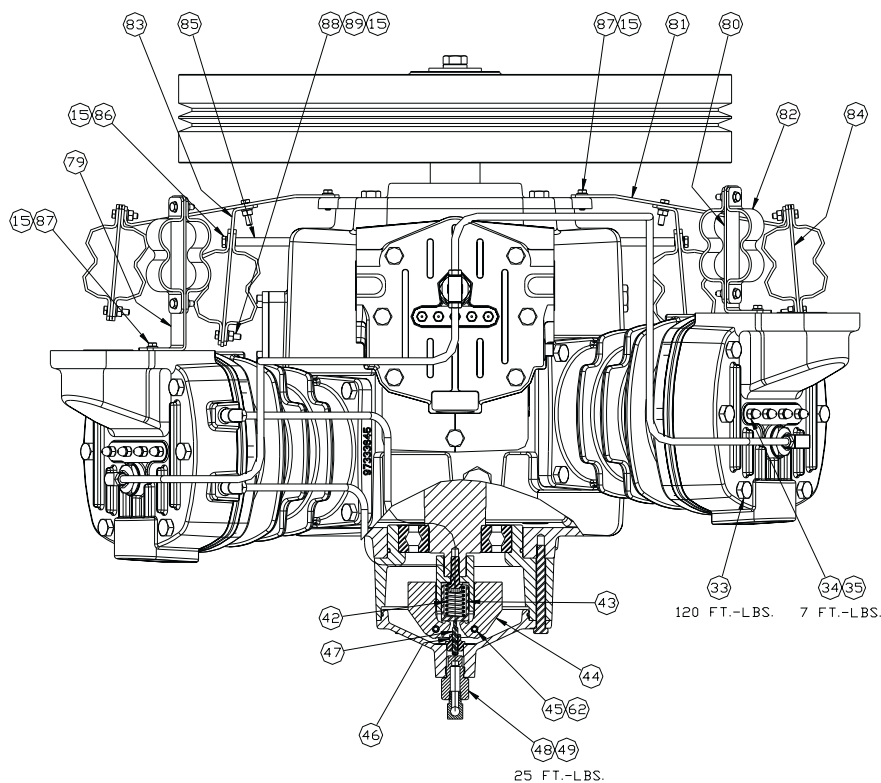
Toutes les pièces décrites dans ce manuel sont disponibles auprès de votre centre ou distributeur d'air local Ingersoll-Rand. Pour connaître où se trouve le centre ou distributeur d'air le plus proche de chez vous, consultez le répertoire des distributeurs qui accompagne votre unité, téléphonez au **1-800 AIR SERV** ou visitez notre site web à : <http://www.air.ingersoll-rand.com> pour de plus amples informations.

Au moment de la commande, veuillez fournir les informations suivantes :

- Le **numéro de modèle** ainsi que le **numéro de série** imprimés sur la plaque signalétique de l'unité.
- Le **numéro de formulaire** du manuel, tel qu'indiqué dans le coin inférieur droit de la couverture.
- La **quantité, description et numéro de pièce** de ou des articles de votre commande.

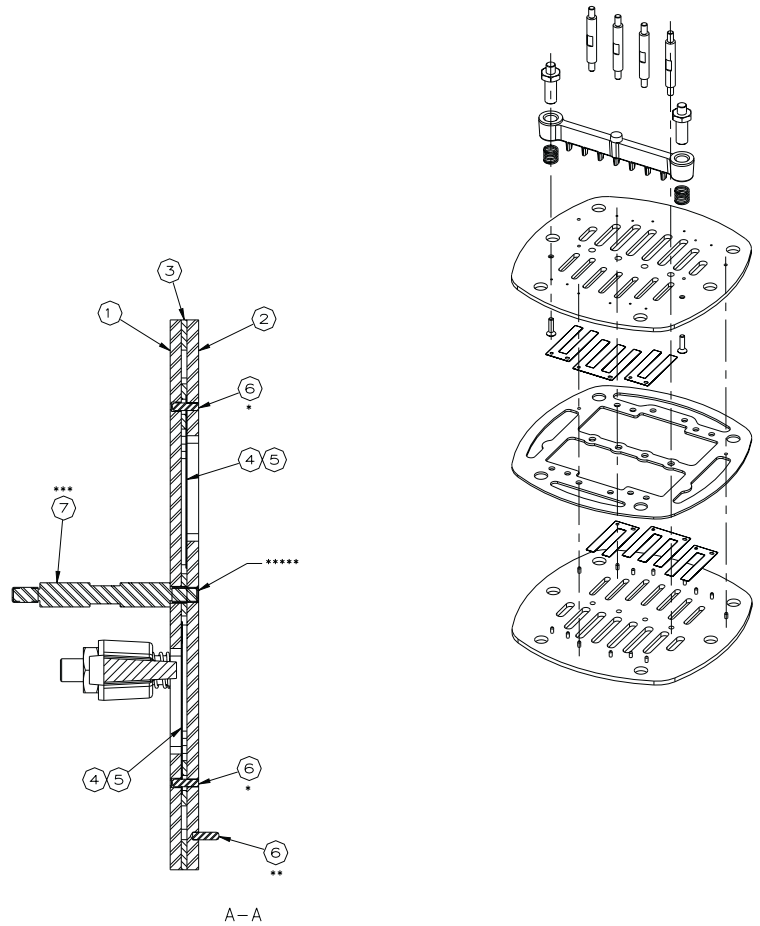
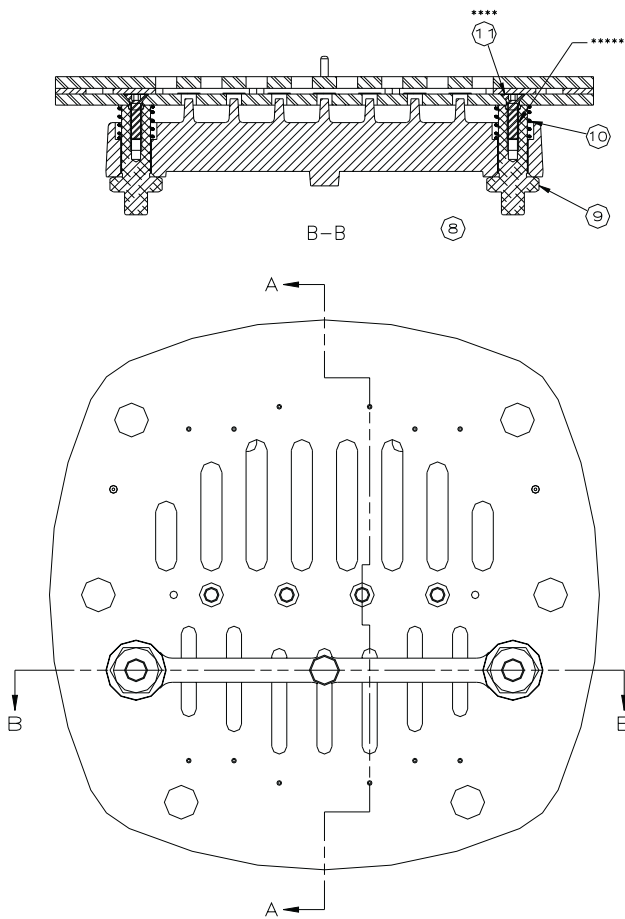


A-A



CODE TROUSSE	NO. ARTICLE	NO. PIÈCE	DESCRIPTION	QTÉ	CODE TROUSSE	NO. ARTICLE	NO. PIÈCE	DESCRIPTION	QTÉ
	1	56286438	BÂTI, COMPRESSEUR	1		49	30346597	RONDELLE, EN CUIVRE - 7/8"	1
	2	97333876	VILEBREQUIN	1	R	50	97338628	ASS., REFRIGÉRISEUR INTERMÉDIAIRE - DROIT	1
B	3	56260581	ROULEMENT, À BILLES	2		51	97338636	ASS., REFRIGÉRISEUR INTERMÉDIAIRE - GAUCHE	1
	4	97333892	CORPS, DE PALIER/DE DISPOSITIF DE DÉLESTAGE	1		52	56285570	JOINT STATIQUE, COLLECTEUR DE REFRIGÉRISEUR INTERMÉDIAIRE	4
B	5	95023404	JOINT TORIQUE, CORPS DE PALIER/DE DISPOSITIF DE DÉLESTAGE	1	V	53	95035358	VIS À TÊTE CUBIQUE, HEX. 3/8-16 x 1,25"	12
	6	97333934	COUVERCLE, DISPOSITIF DE DÉLESTAGE CENTRIFUGE	1		54	95083721	CLAVETTE DISQUE 5/16" x 1-1/2"	1
B	7	95154027	JOINT TORIQUE, COUVERCLE DE DISPOSITIF DE DÉLESTAGE	1	B	55	97337273	ROUE DE COURROIE	1
	8	97333900	COUVERCLE, EXTRÉMITÉ BÂTI	1		56	56268923	RONDELLE, ROUE DE COURROIE	1
B	9	95041919	JOINT TORIQUE, COUVERCLE EXTRÉMITÉ BÂTI	1	B	57	95081790	RONDELLE D'ARRÊT, RESSORT - 5/8"	1
B	10	56260607	JOINT, D'HUILE	1		58	95373585	VIS À TÊTE CUBIQUE, HEX. 5/8-11 x 1,75"	1
	11	95103891	VIS À TÊTE CUBIQUE, HEX. 3/8-16 x 3,75"	3		59	97330245	VOYANT, D'HUILE - 1" NPT	1
	12	95053047	VIS À TÊTE CUBIQUE, HEX. 1/2-13 x 1,25"	4		60	95200333	BOUCHON, DE TUYAU - HEX. 3/4" NPT	2
	13	97334593	DÉFLECTEUR, INTERRUPTEUR DE NIVEAU D'HUILE	2		61	39498522	BOUCHON, DE REMPLISSAGE D'HUILE	1
	14	95053070	VIS À TÊTE CUBIQUE, HEX. 1/4-20 x 50"	4		62	90799271	FIL À FREINER, ACIER	1
	15	95043196	RONDELLE D'ARRÊT, RESSORT - 3/4"	20		63	95033619	BOUCHON, TUYAU - TÊTE CARRÉE 1/2"	1
	16	97334502	ASS., PISTON/TIGE - 5,5" B. P. (VOIR PAGE 6)	2		64	95110441	TUBE, COUDE 5/16" T x 1/4" NPT	3
B	17	97333959	GARNITURE, DE COUSSINET B.P.	4		65	95033593	BOUCHON, TUYAU - TÊTE CARRÉE 1/4"	4
	18	97335921	ASS., PISTON/TIGE - 4" H. P. (VOIR PAGE 7)	1		66	95369815	TUBE EN TÊTE 5/16" T x 1/4" NPT	2
B	19	97333967	GARNITURE, DE COUSSINET H.P.	2		67	97338800	ASS., TUYAUTERIE - DISPOSITIF DE DÉLESTAGE DE CULASSE	1
	20	97333918	CYLINDRE, 5,5" B. P.	2		68	97338818	ASSS, TUYAUTERIE - DISPOSITIF DE DÉLESTAGE DE CULASSE	1
B	21	97334460	JOINT STATIQUE, CYLINDRE/BÂTI - B. P.	2		69	97338842	ASS., TUYAUTERIE - SOUPAPE DE PILOTE/CULASSE	1
B	22	97333926	CYLINDRE, 4" H. P.	1		70	97338834	ASS., TUYAUTERIE - COUVERCLE DE DISPOSITIF DE DÉLESTAGE/CULASSE	1
	23	97334486	JOINT STATIQUE, CYLINDRE/BÂTI - H. P.	1		71	32157554	RACCORD, 5/16" T x 1/4" NPT	2
	24	95104170	VIS À TÊTE CUBIQUE, HEX. 1/2-13 x 1,50" LG.	13		72	32221228	TÉ, BRANCHEMENT MÂLE, 1/4" NPT	1
V	25	54387733	JOINT STATIQUE, PLAQUE PORTE-SOUPAPE /CYLINDRE - B. P.	2		73	56289010	COUVERCLE, BÂTI - LATÉRAL	1
	26	20100210	ASS., PLAQUE PORTE-SOUPAPE - B. P. (VOIR PAGE 4)	2	B	74	56289002	JOINT STATIQUE, COUVERCLE LATÉRAL	1
V	27	56284490	JOINT, DE CULASSE - B. P.	2		75	95103743	VIS À TÊTE CUBIQUE, HEX. 3/8-16 x 3/4" LG.	10
	28	56280480	CULASSE, B. P.	1		76	NSS	PLAQUE SIGNALÉTIQUE	1
V	29	54387741	JOINT STATIQUE, PLAQUE PORTE-SOUPAPE/CYLINDRE - H. P.	2		77	95987525	ERGOT, D'ENTRAÎNEMENT	4
	30	20100228	ASS., PLAQUE PORTE-SOUPAPE - H. P. (VOIR PAGE 5)	1		78	95038147	RACCORD, REDUCTEUR 3/8" x 1/4"	3
V	31	56284508	JOINT, DE CULASSE - H. P.	1		79	54405485	SUPPORT, CULASSE/REFROIDISSEUR INTERMÉDIAIRE - GAUCHE	1
	32	56280498	CULASSE, H. P.	1		80	54405493	SUPPORT, CULASSE/REFROIDISSEUR INTERMÉDIAIRE - DROIT	1
	33	95717385	VIS À TÊTE CUBIQUE, HEX. 1/2-13 x 3,75"	18		81	54405501	SUPPORT, PRINCIPAL - REFRIGÉRISEUR INTERMÉDIAIRE INFÉRIEUR	2
V	34	32255903	JOINT STATIQUE, RONDELLE EN CUIVRE - 1/4"	13		82	54405519	COLLIER, TUBE DE REFRIGÉRISEUR INTERMÉDIAIRE	12
	35	56286248	ÉCROU, BORGNE - 1/2-28 UNF À CALOTTE	3		83	54405527	SUPPORT, REFRIGÉRISEUR INTERMÉDIAIRE INFÉRIEUR - INTERNE	2
	36	97339568	ASS., CORPS DE DÉLESTAGE CENTRIFUGE	3		84	54405535	SUPPORT, REFRIGÉRISEUR INTERMÉDIAIRE INFÉRIEUR - EXTERNE	2
V	37	95744322	JOINT STATIQUE, RONDELLE EN CUIVRE - 1,031"	1		85	54405543	INTERCALAIRE, SUPPORT DE MONTAGE DE REFRIGÉRISEUR INTERMÉDIAIRE	2
	38	97333942	CORPS, PLONGEUR DE DISPOSITIF DE DÉLESTAGE	1		86	95052908	VIS À TÊTE CUBIQUE, HEX. 1/4-20 x 3,5"	2
	39	95301305	BILLES, DIA. 3/16"	1		87	95079802	VIS À TÊTE CUBIQUE, HEX. 1/4-20 x 3/4"	4
	40	95055265	VIS À TÊTE CUBIQUE, S. H. 3/8-16 x 1,25"	1		88	95079893	VIS À TÊTE, CUBIQUE HEX. 1/4-20 x 1"	12
	41	95081857	RONDELLE D'ARRÊT, RESSORT - 3/8"	1		89	95077681	ÉCROU, HEX. 1/2-20 UNC	12
	42	30815898	RESSORT, DISPOSITIF DE DÉLESTAGE CENTRIFUGE	1		90	95344651	BOUCHON, DE TUYAU - À TÊTE HEX. - 1/2 NPT	2
	43	30285688	PLONGEUR, DISPOSITIF DE DÉLESTAGE CENTRIFUGE	1					
	44	30220875	POIDS, DISPOSITIF DE DÉLESTAGE CENTRIFUGE	2					
	45	30214951	GOUPILLE, POIDS DE DISPOSITIF DE DÉLESTAGE CENTRIFUGE	2					
	46	37128261	BAGUE, BOULON À PRESSION	1					
	47	32218406	ASS., BOULON À PRESSION	1					
	NI	95022695	● JOINT TORIQUE	1					
R	NI	95022695	● JOINT TORIQUE	1					
	48	37113701	SOUPAPE, PILOTE	1					

### Soupapes (de premier étage) basse pression

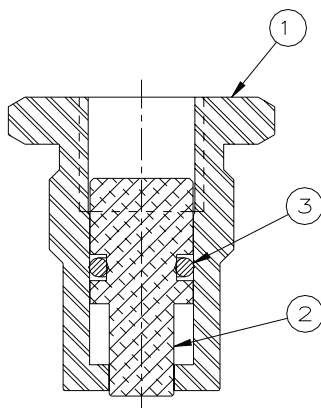


### REMARQUES

- \* Enfoncez les goupilles (No. réf. 6) dans la plaque porte-soupape de refoulement (No. réf. 2) de niveau avec le fond de la plaque porte-soupape (No. réf. 2).
- \*\* Enfoncez la goupille (No. réf. 6) dans la partie basse de la plaque porte-soupape de refoulement (No. réf. 2) jusqu'à ce que la goupille (No. réf. 5) touche le fond du trou borgne.
- \*\*\* Serrez au couple de 7 Ft. Lb. les goujons de plaque porte-soupape (No. réf. 7).
- \*\*\*\* Serrez au couple de 36 In. Lb. les vis à tête cubique (No. réf. 11).
- \*\*\*\*\* Appliquez du Loctite 262 (ou autre lubrifiant) au filetage.

CODE TROUSSE	NO. RÉF. RÉF.	NO. PIÈCE	DESCRIPTION	QTÉ
	20100210		ASSEMBLAGE, PLAQUE PORTE-SOUPAPE — B. P.	
V	1	54422720	● PLAQUE, PORTE-SOUPAPE — ENTRÉE B.P.	1
V	2	54422738	● PLAQUE, PORTE-SOUPAPE — REFOULEMENT B.P.	1
V	3	56284516	● JOINT STATIQUE, ENTRETOISE DE PLAQUE PORTE-SOUPAPE B.P.	1
V	4	97334023	● SOUPAPE, À TROIS DOIGTS	2
V	5	97334031	● SOUPAPE, À DEUX DOIGTS	4
V	6	56267818	● GOUPILLE, DE POSITIONNEMENT — 1/8 X 7/16	15
V	7	56285862	● GOUJON, PLAQUE PORTE-SOUPAPE — 1/4-28	4
	8	56282304	● FOURCHETTE, DISPOSITIF DE DÉLESTAGE — À SEPT DOIGTS	1
	9	56282312	● GUIDE, FOURCHETTE DE DISPOSITIF DE DÉLESTAGE	2
	10	56283765	● RESSORT, FOURCHETTE DE DISPOSITIF DE DÉLESTAGE	2
	11	95389698	● VIS D'ASSEMBLAGE, À 6 PANS CREUX	2

### Assemblage du corps de délestage

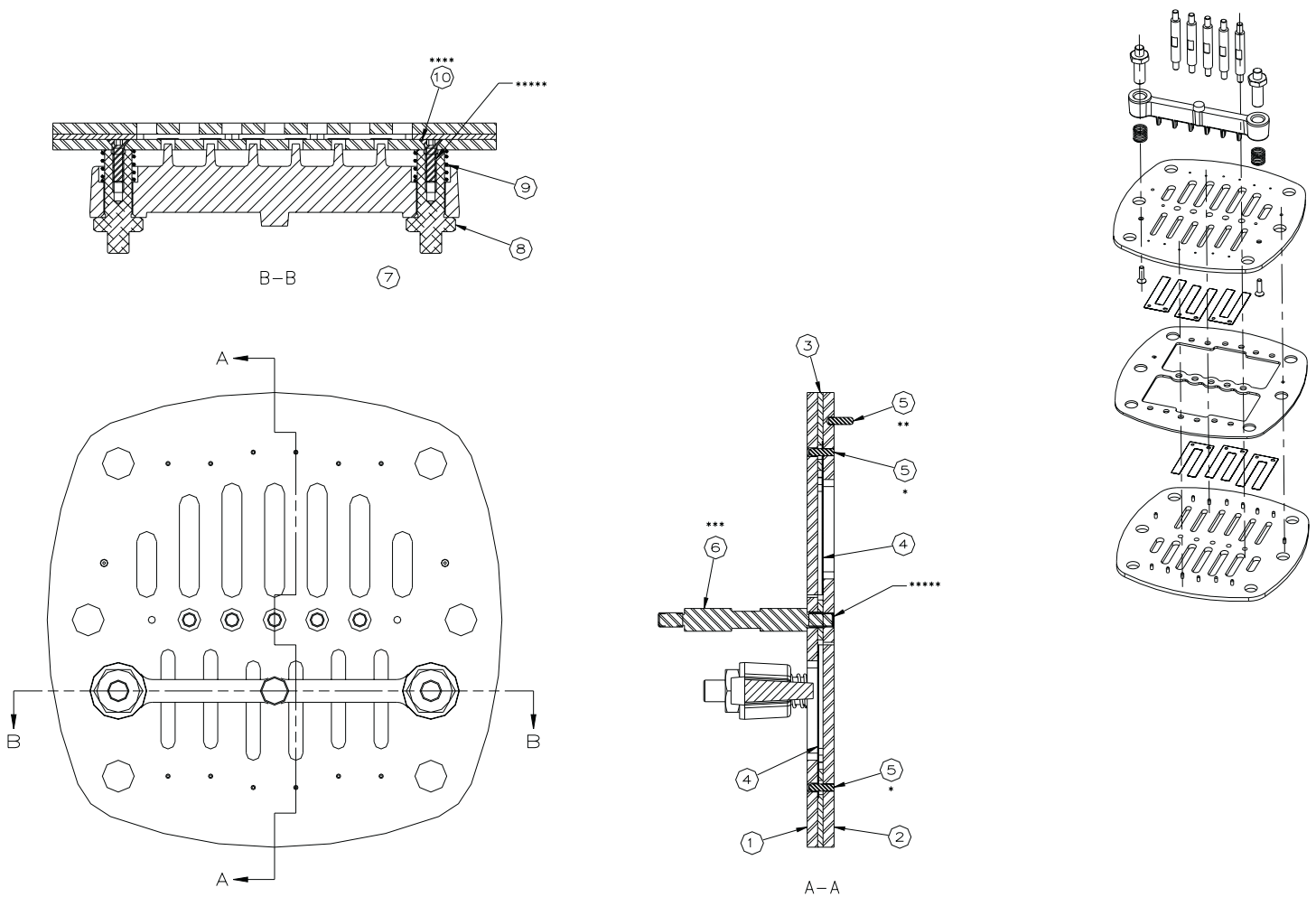


CODE TROUSSE	NO. RÉF. RÉF.	NO. PIÈCE	DESCRIPTION	QTÉ.
	97339568		ASSEMBLAGE, CORPS DE DÉLESTAGE	
	1	54392469	● CORPS, DÉLESTAGE	1
	2	54392451	● PISTON, DÉLESTAGE	1
	3	54392337	● JOINT TORIQUE, DÉLESTAGE	1

### REMARQUES

- Appliquez de la graisse de silicone haute température sur le joint torique (No. réf. 3).

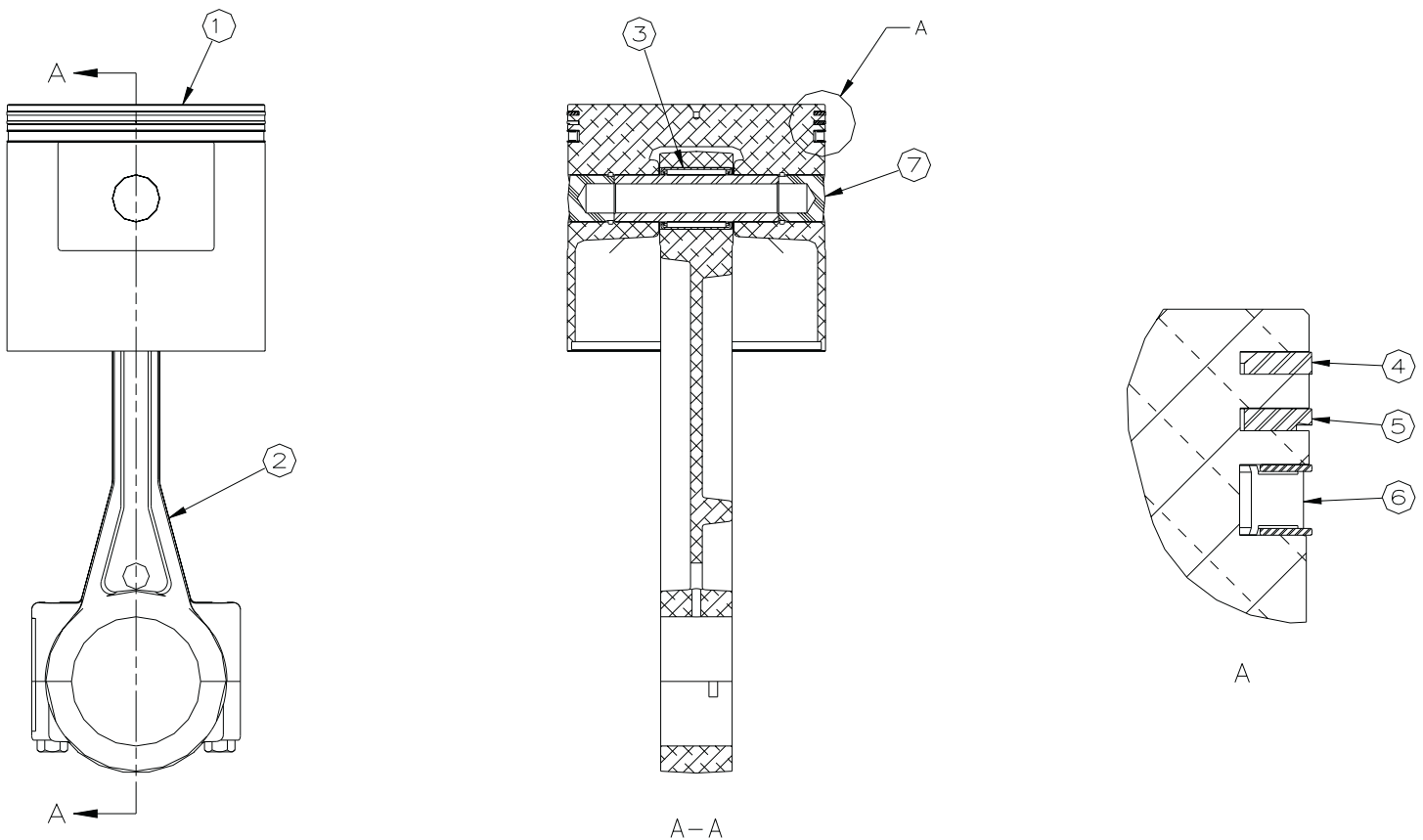
### Soupape (de deuxième étage) haute pression



### REMARQUES

- \* Enfoncez les goupilles (No. réf. 5) dans la plaque porte-soupape de refoulement (No. réf. 2) de niveau avec le fond de la plaque porte-soupape (No. réf. 2).
- \*\* Enfoncez la goupille (No. réf. 5) dans la partie basse de la plaque porte-soupape de refoulement (No. réf. 2) jusqu'à ce que la goupille (No. réf. 5) touche le fond du trou borgne.
- \*\*\* Serrez au couple de 7 Ft. Lb. les goujons de plaque porte-soupape (No. réf. 6).
- \*\*\*\* Serrez au couple de 36 Ft. Lb. les vis à tête cubique (No. réf. 10).
- \*\*\*\*\* Appliquez du Loctite 262 (ou autre lubrifiant) au filetage.

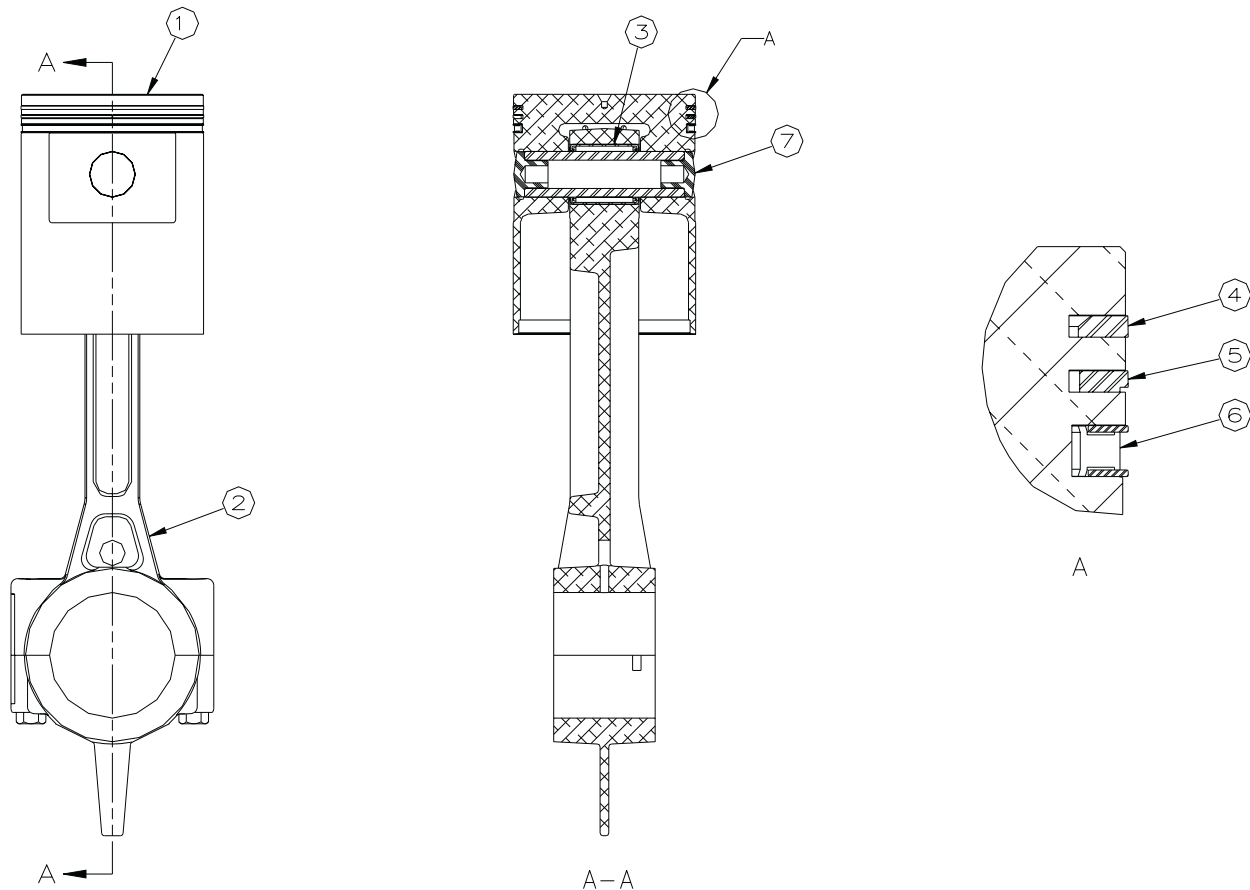
CODE TROUSSE	NO. REF. REF.	NO. PIÈCE	DESCRIPTION	QTÉ
	20100228		ASSEMBLAGE, PLAQUE PORTE-SOUPAPE — H. P.	
V	1	54422746	● PLAQUE, PORTE-SOUPAPE, - ENTRÉE H.P.	1
V	2	54422761	● PLAQUE, PORTE-SOUPAPE, - REFOULEMENT H.P.	1
V	3	97334114	● JOINT STATIQUE, H.P. ENTRETOISE DE PLAQUE PORTE-SOUPAPE	1
V	4	97334031	● SOUPAPE, À DEUX-DOIGTS	6
V	5	56267818	● GOUPILLE, DE POSITIONNEMENT — 1/8 X 7/16	15
	6	56285562	● GOUJON, PLAQUE PORTE-SOUPAPE — 1/4-28	5
	7	56282296	● FOURCHETTE, DISPOSITIF DE DÉLESTAGE — À SIX DOIGTS	1
	8	56282312	● GUIDE, FOURCHETTE DE DISPOSITIF DE DÉLESTAGE	2
	9	56283765	● RESSORT, FOURCHETTE DE DISPOSITIF DE DÉLESTAGE	2
	10	95389698	● VIS D'ASSEMBLAGE, À 6 PANS CREUX	2

**Piston (de premier étage) basse pression****REMARQUES**

- Effectuez l'installation du segment de compression (No. réf. 4) et du segment racleur (No. réf. 5) avec les repères sur le segment orientés vers le haut.
- Des segments de piston basse pression (No. réf. 4-6) sont disponibles dans le jeu de segments 20103123. Les segments individuels ne sont pas disponibles séparément.

# Il est possible que votre dispositif utilise des chapeaux d'axe de piston ou des bagues de retenue. Les bagues de retenue (numéro de pièce 30288450) sont disponibles comme pièce de rechange pour les chapeaux ou les bagues. Les pièces de rechange pour chapeau d'axe de piston ne sont pas disponibles.

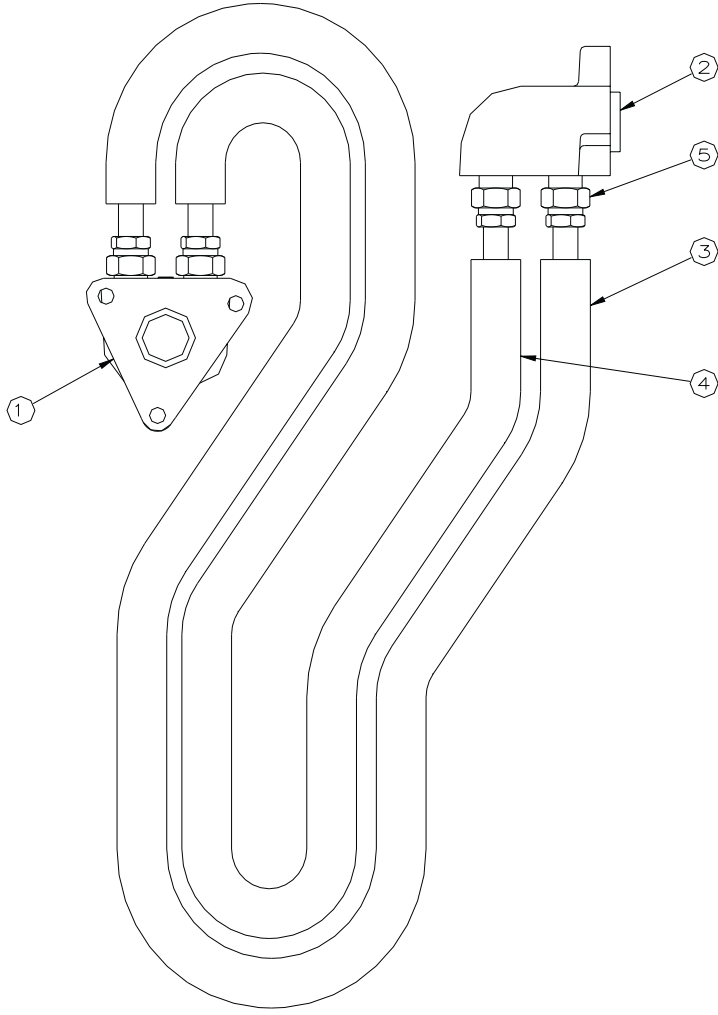
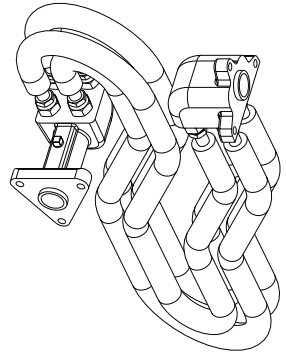
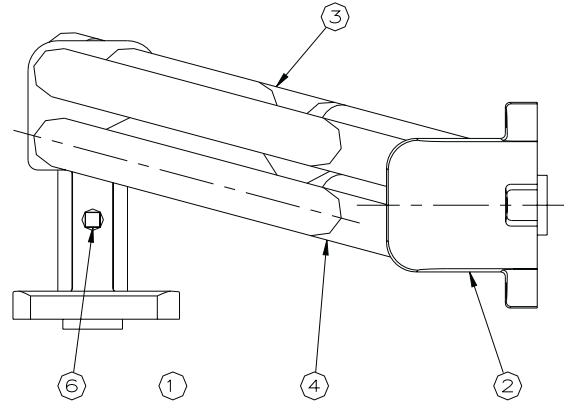
CODE TROUSSE	NO. RÉF.	NO. PIÈCE	DESCRIPTION	QTÉ
	NSS		ASSEMBLAGE, PISTON/TIGE DE POUSSÉE - B. P.	
	1	97334494	● ASSEMBLAGE, PISTON/GOUPILLE — B.P.	1
	2	97334320	● TIGE, DE POUSSÉE — B.P.	1
B	3	56260599	● ROULEMENT, A AIGUILLES	1
R	4	NSS	● SEGMENT, DE COMPRESSION	1
R	5	NSS	● SEGMENT, RACLEUR	1
R	6	NSS	● JEU, DE SEGMENT RACLEUR D'HUILE	1
B	7	#	● CHAPEAU, AXE DE PISTON OU SEGMENT, RETENUE	2

**Piston (de deuxième étage) haute pression****REMARQUES**

- Effectuez l'installation du segment de compression (No. réf. 4) et du segment racleur (No. réf. 5) avec les repères sur le segment orientés vers le haut.
- Des segments de piston haute pression (No. réf. 4-6) sont disponibles dans le jeu de segments 20103131. Les segments individuels ne sont pas disponibles séparément..

CODE TROUSSE	NO. RÉF. RÉF.	NO. PIÈCE	DESCRIPTION	QTÉ
	1	97334569	ASSEMBLAGE, PISTON/TIGE DE POUSSÉE — H. P.	1
	2	97334353	ASSEMBLAGE, PISTON/TIGE — H.P.	1
B	3	56260599	TIGE, DE POUSSÉE — H.P.	1
R	4	NSS	ROULEMENT, A AIGUILLES	1
R	5	NSS	SEGMENT, DE COMPRESSION	1
R	6	NSS	SEGMENT, RACLEUR	1
B	7	54429246	JEU, DE SEGMENTS RACLEUR D'HUILE	1
			BOUCHON, AXE DE PISTON — H.P.	2

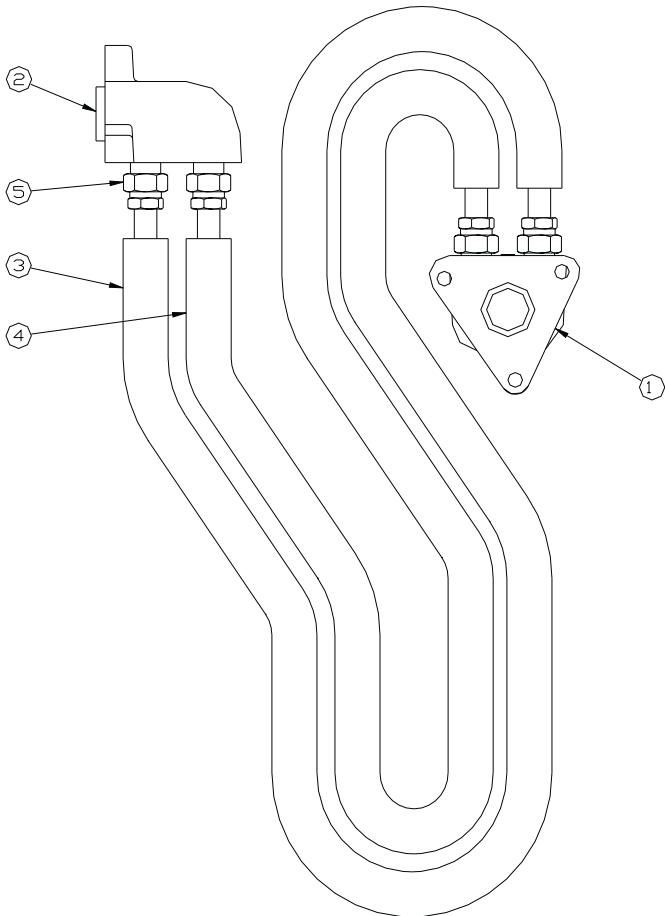
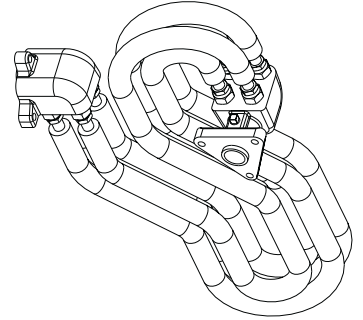
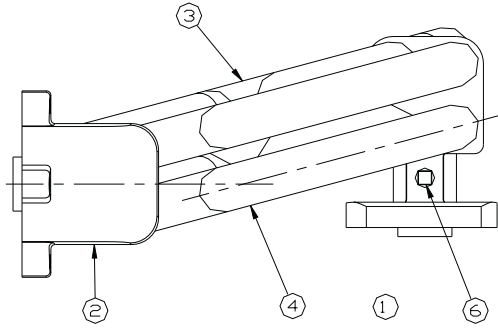
**Ensemble de refroidisseur intermédiaire (côté gauche)**



CODE TROUSSE	NO. RÉF. RÉF.	NO. PIÈCE	DESCRIPTION	QTÉ
		97338636	ASSEMBLAGE, REFROIDISSEUR INTERMÉDIAIRE— GAUCHE	1
1	56281124	●	COLLECTEUR, B.P. — GAUCHE	1
2	56281132	●	COLLECTEUR, H.P.	1
3	97338644	●	TUYAUTERIE — REFROIDISSEUR INTERMÉDIAIRE 1	2
4	97338651	●	TUYAUTERIE — REFROIDISSEUR INTERMÉDIAIRE 2	2
5	95083226	●	RACCORD, MÂLE — 5/8 X 1/2	8
6	95033593	●	BOUCHON, DE TUYAU — 1/4	1



**Ensemble de refroidisseur intermédiaire (côté droit)**



CODE TROUSSE	NO. RÉF. RÉF.	NO. PIÈCE	DESCRIPTION	QTÉ
		97338628	ASSEMBLAGE, REFRIGÉRISEUR INTERMÉDIAIRE — DROIT	1
1	56281116	●	COLLECTEUR, B.P. — DROIT	1
2	56281132	●	COLLECTEUR, H.P.	1
3	97338644	●	TUYAUTERIE — REFRIGÉRISEUR INTERMÉDIAIRE 1	2
4	97338651	●	TUYAUTERIE — REFRIGÉRISEUR INTERMÉDIAIRE 2	2
5	95083226	●	RACCORD, MÂLE — 5/8 X 1/2	8
6	95033593	●	BOUCHON, DE TUYAU — 1/4	1

## TROUSSES ET ACCESSOIRES

### TROUSSE DE DÉMARRAGE

Chaque trousse de démarrage contient suffisamment de lubrifiant synthétique Ingersoll-Rand pour compresseurs et d'éléments de filtre d'air pour le démarrage et l'entretien de votre unité pour la première année.

NO. PIÈCE	DESCRIPTION
20102877	TROUSSE, DE DÉMARRAGE

### LUBRIFIANT SYNTHÉTIQUE INGERSOLL-RAND POUR COMPRESSEURS

NO. PIÈCE	DESCRIPTION
32318875	LUBRIFIANT, BOUTEILLE DE 1 QUART
32318883	LUBRIFIANT, PACK DE DOUZE BOUTEILLES DE 1 QUART

### FILTRE D'ASPIRATION

NO. PIÈCE	DESCRIPTION
32012957	FILTRE D'ASPIRATION (STANDARD)
37161577	FILTRE D'ASPIRATION (À USAGE INDUSTRIEL)

### TROUSSES D'ENTRETIEN RAPIDE

NO. PIÈCE	DESCRIPTION
20103081	TROUSSE, SOUPEPE/JOINT
20103099	TROUSSE, SEGMENT/JOINT
20103107	TROUSSE, COUSSINET/JOINT

### TROUSSE DE REMISE EN ÉTAT

La trousse de remise en état contient toutes les trousse d'entretien rapide décrites plus haut ainsi que des éléments de filtre d'air standard pour une remise en état complète.

NO. PIÈCE	DESCRIPTION
20103115	TROUSSE, DE REMISE EN ÉTAT

### TROUSSE DE CHAUFFAGE DU CARTER PRINCIPAL

L'installation de trousse de chauffage du carter principal est conseillée pour les environnements avec des températures régulièrement au-dessous de 32°F (0°C). La trousse externe d'installation facile d'un réchauffeur du carter principal est fournie pour utilisation post-vente.

NO. PIÈCE	DESCRIPTION
97330385	TROUSSE, CHAUFFAGE DU CARTER PRINCIPAL

### TUYAUX D'AIR À FONCTION MULTIPLE

Ces assemblages de tuyaux d'air sont des tuyaux de grand puissance, légers conçus pour une pression de travail de 300 PSIG.

NO. PIÈCE	DESCRIPTION
32323750	TUYAU, D'AIR — 3/8" X 25' (1/4" NPT MÂLE)
32323768	TUYAU, D'AIR — 3/8" X 50' (1/4" NPT MÂLE)
32323776	TUYAU, D'AIR — 3/8" X 100' (1/4" NPT MÂLE)

### FILTRES À TAMIS EN Y

Les filtres à tamis en Y empêchent le transport d'impuretés en aval.

NO. PIÈCE	DESCRIPTION
32323628	FILTRE À TAMIS EN Y, 1/4"
32323636	FILTRE À TAMIS EN Y, 1/2"

## REMARQUES

**REMARQUES**

## SERVICES EXCEPTIONNELS OFFERTS PAR INGERSOLL-RAND



### Un service clientèle efficace

Notre équipe de techniciens professionnels est à votre disposition lorsqu'il s'agit de l'entretien préventif de votre matériel ou dans des situations urgentes.



### Service technique spécialisé

Nous pouvons vous aider à identifier et à résoudre vos problèmes par une évaluation de vos besoins et par la recommandation d'un matériel approprié pour un rendement maximal.



### Assortiment complet de matériel

Nous gardons en stock un assortiment complet de matériel et d'accessoires I-R afin de répondre à tous vos besoins lorsqu'il s'agit d'applications à air comprimé. Notre service d'expédition rapide des usines I-R assure une livraison ponctuelle.



### Service de réparation complet

Nos techniciens hautement qualifiés peuvent réparer et remettre en état tout votre matériel aux spécifications de l'usine, utilisant des pièces de rechange I-R d'origine.



### Pièces de rechange

Grâce à nos pièces de rechange I-R d'origine, nous sommes en mesure de vous éviter des délais coûteux ou d'utiliser des pièces de rechange inférieures. L'utilisation de pièces de rechange I-R d'origine sur votre équipement I-R contribue à faire fonctionner comme un neuf votre matériel moins récent.

## UN SUBSTITUT N'EST PAS UN REMPLACEMENT !

Afin d'obtenir un rendement et une durée de vie maximum de votre matériel Ingersoll-Rand, nous vous recommandons de n'utiliser que des pièces de rechange et des trousseaux de maintenance Ingersoll-Rand d'origine. Nos pièces de rechange sont non seulement fabriquées à des dimensions précises et à partir de métaux répondant aux normes OEM, mais chaque pièce est de plus accompagnée de la garantie Ingersoll-Rand. Votre centre ou distributeur d'air local, ou votre représentant direct Ingersoll-Rand peuvent travailler avec vous et vous aider à vous procurer les pièces de rechange nécessaires pour effectuer les réparations nécessaires. Utilisez ce qu'il y a de mieux pour votre matériel — des pièces de rechange Ingersoll-Rand

REMARQUE : L'UTILISATION DE PIÈCES DE RECHANGE AUTRES QUE CELLES DÉCRITES DANS LA LISTE DES PIÈCES DE LA SOCIÉTÉ INGERSOLL-RAND PEUT CRÉER DES CONDITIONS DANGEREUSES OU DES DÉFAILLANCES MÉCANIQUES SUR LESQUELLES LA SOCIÉTÉ INGERSOLL-RAND N'A AUCUN CONTRÔLE. LA SOCIÉTÉ INGERSOLL-RAND N'ASSUME AUCUNE RESPONSABILITÉ EN CE QUI CONCERNE LE MATÉRIEL SUR LEQUEL DES PIÈCES DE RECHANGE NON-APPROUVÉES ONT ÉTÉ INSTALLÉES.

Le fabricant se réserve le droit d'effectuer toute modification ou amélioration sans préavis et sans encourir aucune obligation à effectuer ces modifications sur les produits vendus précédemment.

## Questions ? Pièces ? Service ?

### 1-800 AIR SERV

## Visitez notre site web à :

### [www.air.ingersoll-rand.com](http://www.air.ingersoll-rand.com)