

GHH RAND®

CD14S – Oil free screw compressor block

The CD14S is a single stage, gear driven and oil-free screw compressor block, which can be used for general industrial applications.

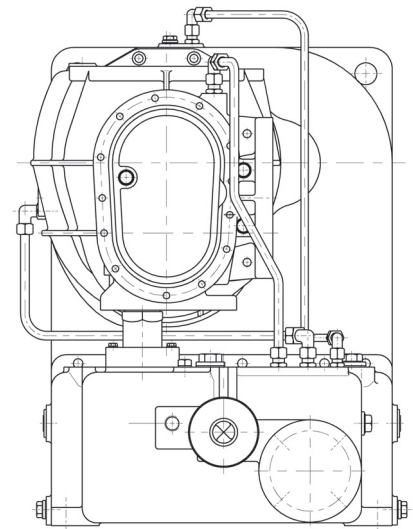
Operating Range

Parameters	Units	Min	Max
Power	kW / hp	25.5 / 34	145 / 194
Discharge Pressure, abs.	bar / psi	2 / 29	4.6 / 67
Volume Flow	m ³ /h / cfm	758 / 446	1832 / 1078

Medium: Air, Inlet temperature 20°C/68°F, Inlet pressure 1 bar(a)/14.5 psi(a), RH: 60%

Technical Data

Parameters	Units	Data
Length	mm / in	815 / 32
Width	mm / in	536 / 21
Height	mm / in	714 / 28
Weight	kg / lbs	300 / 661



GHH RAND recommends:



- Maximize life and efficiency with Ultralube or Ultralube F (food grade)
- Ask your sales representative for details

Ingersoll-Rand Trading GmbH
Max-Planck-Ring 27 • 46049 Oberhausen • Germany
Phone +49 (0) 208 9994-0 • Fax +49 (0) 208 9994-111
industrial-sales@ghhrand.com • www.ghhrand.com