



**80448251**  
Revision C  
March 2015

# Single Stage Reciprocating Air Compressor

## Model SS4L5

---

## Owner's Manual

- EN** Owner's Manual
- ES** Manual del usuario
- FR** Manuel de l'utilisateur



**Save These Instructions**



## WARRANTY & PRODUCT REGISTRATION

**Ingersoll Rand** warrants the equipment for a period of twelve (12) months from the date of placing the equipment in operation or eighteen (18) months from the date of shipment, whichever occurs first.

Compressors operated solely on All Season Select synthetic compressor lubricant will have their bare compressor pump (ONLY THE PUMP) warranted for the earlier of twenty-four (24) months from the date of initial operation or thirty (30) months from date of shipment.

To register your product, you must contact your local full service air solutions provider. To locate your nearest provider:

1. Go to [www.ingersollrandproducts.com](http://www.ingersollrandproducts.com) in your Web browser.
2. Select Americas Region from main page.
3. Click "Customer Service".
4. Click "Contact Us".
5. Click "Compressed Air Solutions".
6. If you are located in the United States, enter your 5-digit zip code in the field to find your local full service air solutions provider and then press "Search on Zip Code". If you are located outside of the United States, select your country from the "International Locations" list and then press "Submit".

## GENERAL INFORMATION

### ■ Introduction

This manual provides safe and reliable instructions for the installation, operation and maintenance of your **Ingersoll Rand** air compressor. Carefully read this manual before attempting to operate or perform any maintenance. If you are uncertain about any of the instructions or procedures provided in this manual, contact **Ingersoll Rand**. We recommend you retain this manual, and all publications provided with your air compressor, in a location which is accessible to all personnel who operate and service your compressed air equipment.

### ■ Application

Your air compressor unit is suitable for operating air tools, caulking guns, grease guns, sandblasters, etc. Depending on your application, the following accessories may be required:

- An air pressure regulator to adjust the air pressure entering the tool or accessory.
- An air line filter for removal of moisture and oil vapor in compressed air.
- An in-line lubricator to prolong the life of air tools.
- Separate air transformers which combine the functions of air regulation and/or moisture and dirt removal.

Contact your nearest authorized dealer or call 1-800-AIR-SERV for more information on air tools and accessories for your application.

### ■ Additional References

Unless otherwise stated, dimensions, weights and measurements are provided in standard U. S. measure followed in parentheses by the metric conversion. Any torque values given are stated in inch or foot pounds followed by the Newton-meter equivalent in parentheses. Electrical characteristics are given in voltage-phase-hertz.

## EXPLANATION OF SAFETY SIGNAL WORDS

**⚠ DANGER**

Indicates an imminently hazardous situation which, if not avoided, will result in death or serious injury.

**⚠ WARNING**

Indicates a potentially hazardous situation which, if not avoided, could result in death or serious injury.

**⚠ CAUTION**

Indicates a potentially hazardous situation which, if not avoided, may result in minor or moderate injury or property damage.

**NOTICE**

Indicates information or a company policy that relates directly or indirectly to the safety of personnel or protection of property.

## RECEIPT & INSPECTION

Ensure adequate lifting equipment is available for unloading and moving the compressor to the installation site.

**⚠ WARNING**

- **Lifting equipment must be properly rated for the weight of the compressor. Weight information is printed on a label attached to the shipping container.**
- **Lift the compressor by the shipping skid only.**
- **Do not use the motor lifting eye to lift the entire compressor. The motor lifting eye is for removing the motor from the compressor only.**
- **Do not work on or walk under the compressor while it is suspended.**

Use suitable lifting equipment (i.e. forklift) to lift and transport the compressor to the installation site. Ensure the lifting equipment, straps, etc. are capable of supporting the weight of the compressor.

Before signing the delivery receipt, inspect for damage and missing parts. If damage or missing parts are apparent, make the appropriate notation on the delivery receipt, then sign the receipt. Immediately contact the carrier for an inspection.

All material must be held in the receiving location for the carrier's inspection.

Delivery receipts that have been signed without a notation of damage or missing parts are considered to be delivered "clear." Subsequent claims are then considered to be concealed damage claims. Settle damage claims directly with the transportation company.


If you discover damage after receiving the compressor (concealed damage), the carrier must be notified within 15 days of receipt and an inspection must be requested by telephone with confirmation in writing. On concealed damage claims, the burden of establishing that the compressor was damaged in transit reverts back to the claimant.

Read the compressor nameplate to verify it is the model ordered, and read the motor nameplate to verify it is compatible with your electrical conditions.

Make sure electrical enclosures and components are appropriate for the installation environment.


## GENERAL SAFETY RULES

### ⚠ DANGER / PELIGRO / DANGER

|   |   |
|---|---|
|  | <p><b>INTAKE AIR. CAN CONTAIN CARBON MONOXIDE OR OTHER CONTAMINANTS. WILL CAUSE SERIOUS INJURY OR DEATH.</b> INGERSOLL-RAND AIR COMPRESSORS ARE NOT DESIGNED, INTENDED OR APPROVED FOR BREATHING AIR. COMPRESSED AIR SHOULD NOT BE USED FOR BREATHING AIR APPLICATIONS UNLESS TREATED IN ACCORDANCE WITH ALL APPLICABLE CODES AND REGULATIONS.</p>  |
|   | <p><b>AIRE DE ADMISIÓN. PUEDE CONTENER MONÓXIDO DE CARBONO U OTROS CONTAMINANTES. PUEDE CAUSAR LESIONES GRAVES O LA MUERTE.</b> LOS COMPRESORES DE AIRE INGERSOLL-RAND NO ESTÁN DISEÑADOS, DESTINADOS PARA AIRE RESPIRABLE. NO SE DEBE USAR EL AIRE COMPRIMIDO PARA APLICACIONES DE AIRE RESPIRABLE A MENOS QUE SE TRATE DE ACUERDO CON TODAS LAS NORMAS Y REGLAMENTOS CORRESPONDIENTES.</p>                              |
|   | <p><b>AIR D'ADMISSION. PEUT CONTENIR DU MONOXYDE DE CARBONE OU D'AUTRES CONTAMINANTS. CAUSE DES BLESSURES GRAVES OU LA MORT.</b> LES COMPRESSEURS INGERSOLL-RAND N'ONT PAS ÉTÉ CONÇUS, NI DESTINÉS, NI APPROUVÉS POUR LA COMPRESSION D'AIR RESPIRABLE. L'AIR COMPRIMÉ NE DOIT PAS ÊTRE UTILISÉ POUR LA RESPIRATION À MOINS QU'IL N'AIT ÉTÉ TRAITÉ D'APRÈS LES NORMES ET RÉGLEMENTS EN VIGUEUR POUR CETTE APPLICATION.</p> |






54653662-00

### ⚠ WARNING/ADVERTENCIA/AVERTISSEMENT




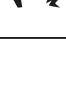

|   |  |
|---|--|
|  | <p><b>HOT SURFACES. CAN CAUSE SERIOUS INJURY.</b> DO NOT TOUCH. ALLOW TO COOL BEFORE SERVICING.</p>                          |
|   | <p><b>SUPERFICIE CALIENTE. PUEDE CAUSAR LESIONES GRAVES.</b> NO TOCAR. DEJE QUE SE ENFRIE ANTES DE DAR SERVICIO.</p>         |
|   | <p><b>SURFACE CHAUDE. PEUT CAUSER DES BLESSURES GRAVES.</b> NE PAS TOUCHER. ATTENDRE LE REFOIDISSEMENT AVANT DE RÉPARER.</p> |

56276652-01




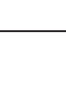

### ⚠ WARNING

|   |  |
|---|--|
|  | <p><b>READ OWNERS MANUAL BEFORE STARTING COMPRESSOR.</b></p>   |
|  | <p><b>MOVING PARTS. CAN CAUSE SERIOUS INJURY.</b> DO NOT OPERATE WITH GUARDS REMOVED. MACHINE MAY START AUTOMATICALLY. DISCONNECT POWER BEFORE SERVICING. LOCKOUT / TAGOUT MACHINE.</p>  |
|  | <p><b>RISK OF FIRE OR EXPLOSION.</b> ELECTRICAL ARCING FROM COMPRESSOR COMPONENTS CAN IGNITE FLAMMABLE LIQUIDS AND VAPORS WHICH CAN RESULT IN SERIOUS INJURY. NEVER OPERATE THE COMPRESSOR NEAR FLAMMABLE LIQUIDS OR VAPORS. IF USED TO SPRAY FLAMMABLE MATERIALS, KEEP COMPRESSOR AT LEAST 20FT AWAY FROM THE SPRAY AREA.</p>   |
|  | <p><b>HIGH PRESSURE AIR. BYPASSING, MODIFYING OR REMOVING SAFETY/RELIEF VALVES CAN CAUSE SERIOUS INJURY OR DEATH.</b> DO NOT BYPASS, MODIFY OR REMOVE SAFETY / RELIEF VALVES. DO NOT DIRECT AIR STREAM AT BODY. <b>RISK OF BURSTING.</b> USE ONLY SUITABLE AIR HANDLING PARTS ACCEPTABLE FOR PRESSURE OF NOT LESS THAN THE MAXIMUM ALLOWABLE WORKING PRESSURE OF THE MACHINE. NEVER MODIFY OR REPAIR TANK, OBTAIN REPLACEMENT FROM SERVICE CENTER.</p> |
|  | <p><b>RISK OF ELECTRIC SHOCK.</b> DISCONNECT COMPRESSOR FROM ELECTRICAL SUPPLY CIRCUIT BEFORE SERVICING. DO NOT EXPOSE COMPRESSOR TO RAIN OR OPERATE IN A WET AREA. STORE INDOORS.</p>   |



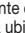

### ⚠ ADVERTENCIA

|  |   |
|--|---|
|   | <p><b>LEA EL MANUAL DEL USUARIO ANTES DE HACER ARRANCAR EL COMPRESOR.</b></p>   |
|   | <p><b>PARTES MÓVILES. PUEDE CAUSAR LESIONES GRAVES.</b> NO OPERE LA MÁQUINA SI SE HA RETIRADO EL PROTECTOR. LA MÁQUINA PUEDE EMPEZAR A FUNCIONAR AUTOMÁTICAMENTE. DESCONECTE LA ENERGÍA ANTE DE DARLE SERVICIO A LA MÁQUINA. BLOQUEAR/ETIQUETAR LA MÁQUINA.</p>   |
|   | <p><b>RIESGO DE INCENDIO O EXPLOSIÓN.</b> EL ARCO ELÉCTRICO PRODUCIDO POR LOS COMPONENTES DEL COMPRESOR PUEDE ENCENDER LOS LÍQUIDOS Y VAPORES INFLAMABLES, CAUSANDO LESIONES GRAVES. NO HAGA FUNCIONAR NUNCA EL COMPRESOR CERCA DE LÍQUIDOS O VAPORES INFLAMABLES. SI SE UTILIZA PARA ASPERSIÓN DE MATERIALES INFLAMABLES, DEBE MANTENERSE EL COMPRESOR A UNA DISTANCIA MÍNIMA DE 20 PIES (6 METROS) DEL ÁREA DE ASPERSIÓN.</p>   |
|   | <p><b>AIRE DE ALTA PRESIÓN. LA DERIVACIÓN MODIFICACIÓN O RETIRO DE LAS VÁLVULAS DE SEGURIDAD/ALIVIO PUEDE CAUSAR LESIONES GRAVES O LA MUERTE.</b> NO DERIVE, MODIFIQUE O RETIRE LAS VÁLVULAS DE SEGURIDAD/ALIVIO. <b>RIESGO DE EXPLOSIÓN.</b> UTILICE SOLAMENTE PIEZAS DE MANIPULACIÓN DE AIRE ADECUADAS QUE SEAN ACEPTABLES PARA PRESIONES NO MENORES A LA PRESIÓN MÁXIMA DE TRABAJO ADMISIBLE DE LA MÁQUINA. NO MODIFIQUE NI REPARE NUNCA EL TANQUE; OBTenga UN REEMPLAZO DEL CENTRO DE SERVICIO.</p> |
|  | <p><b>RIESGO DE DESCARGA ELÉCTRICA.</b> DESCONECTE EL COMPRESOR DEL CIRCUITO DE SUMINISTRO ELÉCTRICO ANTES DE DARLE SERVICIO. NO HAGA FUNCIONAR EL COMPRESOR A LA LLUVIA NI LO OPERE EN UN LUGAR HÚMEDO. ALMACÉNELO EN EL INTERIOR.</p>   |

### ⚠ AVERTISSEMENT

|   |  |
|---|--|
|  | <p><b>LISEZ LE MANUEL DE L'UTILISATEUR AVANT DE METTRE LE COMPRESSEUR EN MARCHÉ.</b></p>   |
|  | <p><b>PIÈCES TOURNANTES. PEUT CAUSER DES BLESSURES GRAVES.</b> NE PAS OPERER SANS PROTECTIONS. LA MACHINE PEUT COMMENCER AUTOMATIQUÉMENT. DÉBRANCHER AVANT LE SERVICE. VERROUILLER/ÉTIQUETER LA MACHINE.</p>   |
|  | <p><b>RISQUE D'INCENDIE OU D'EXPLOSION.</b> LES ARCS ÉLECTRIQUES PRODUITS PAR LES COMPOSANTS DU COMPRESSEUR PEUVENT ENFLAMMER LES LIQUIDES ET VAPEURS INFLAMMABLES, CE QUI PEUT CAUSER DES BLESSURES GRAVES. NE JAMAIS FAIRE MARCHER LE COMPRESSEUR À PROXIMITÉ DES LIQUIDES OU VAPEURS INFLAMMABLES. S'IL EST UTILISÉ POUR VAPORISER DES MATIÈRES INFLAMMABLES, GARDER LE COMPRESSEUR À 6 MÈTRES (20 PIEDS) AU MOINS DE LA ZONE DE VAPORISATION.</p>  |
|  | <p><b>AIR SOUS PRESSION ÉLEVÉE. LE CONTOURNEMENT, LA MODIFICATION OU LE RETRAIT DE SOUPAPES DE SÉCURITÉ / DÉTENTE PEUT CAUSER DES BLESSURES GRAVES OU LA MORT.</b> NE PAS CONTOURNER, MODIFIER OF RETIRER LES SOUPAPES DE SÉCURITÉ/DÉTENTE. <b>RISQUE D'ÉCLATEMENT.</b> UTILISER UNIQUEMENT DES PIÈCES DE MANIPULATION D'AIR DONT LA PRESSION NOMINALE N'EST PAS INFÉRIEURE À LA PRESSION MAXIMALE ADMISSIBLE DE TRAVAIL DE L'APPAREIL. NE JAMAIS MODIFIER OU RÉPARER LE RÉSERVOIR; OBTENIR UN RECHANGE AUPRÈS DU CENTRE DE SERVICE.</p> |
|  | <p><b>DANGER DE CHOC ÉLECTRIQUE.</b> DÉBRANCHER LE COMPRESSEUR DU CIRCUIT ÉLECTRIQUE D'ALIMENTATION AVANT DE FAIRE DES ENTRETIENS. NE PAS EXPOSER LE COMPRESSEUR À LA PLUIE ET VEILLER À L'UTILISER À L'ABRI DU MOUILLE. STOCKER À L'INTÉRIEUR.</p>  |

### ⚠ WARNING / ADVERTENCIA / AVERTISSEMENT

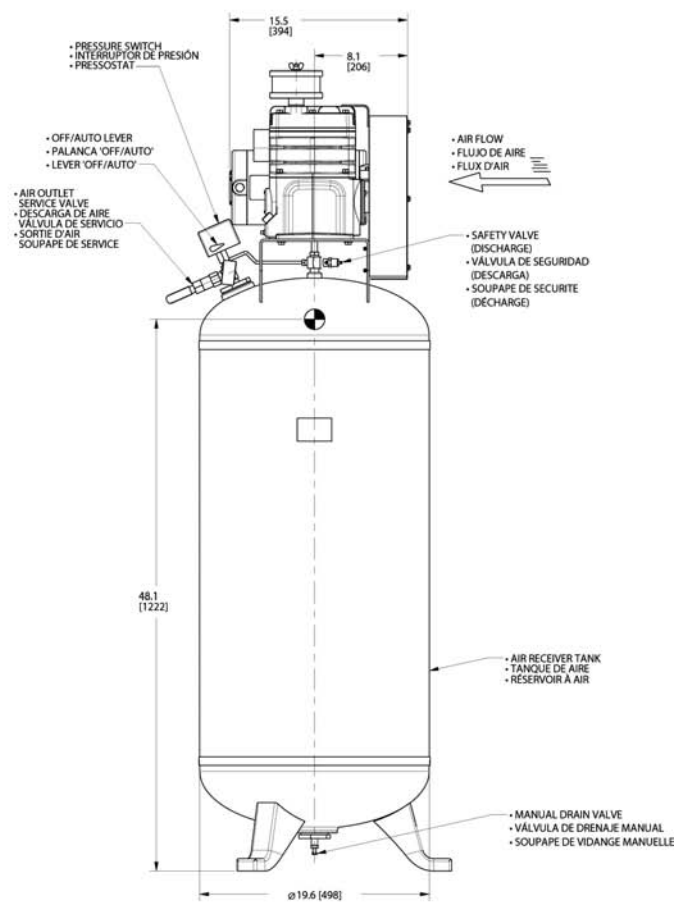
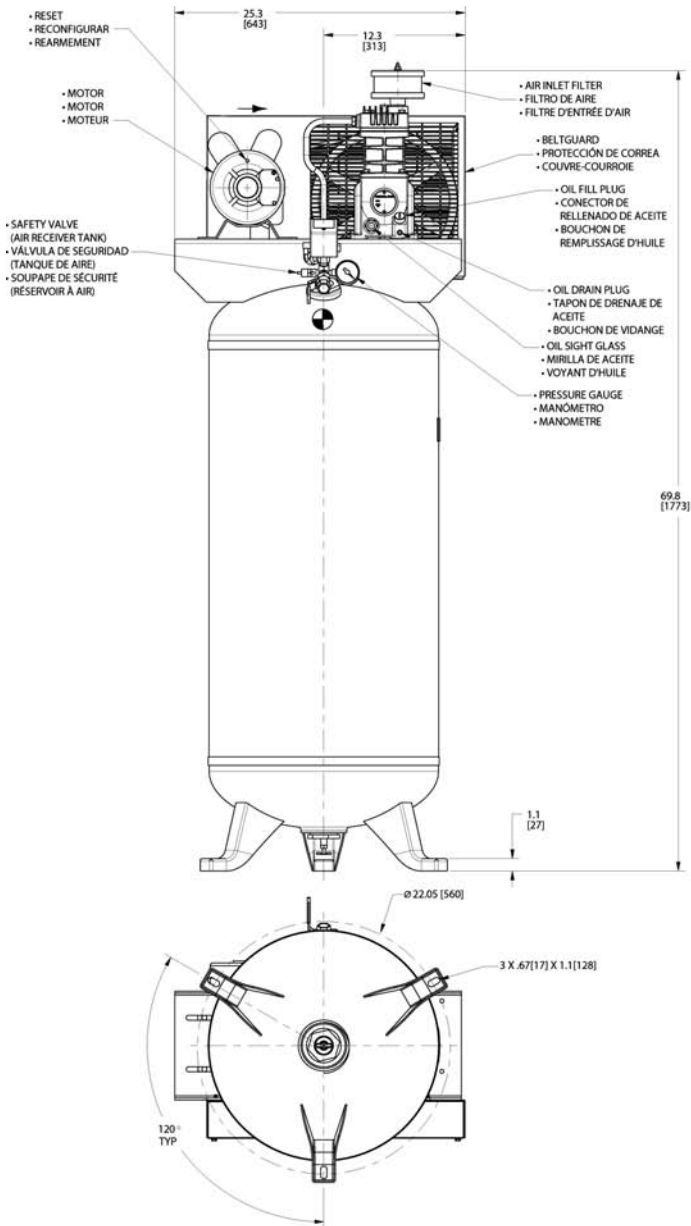
|   |   |
|---|---|
|  | <p>High Pressure Air. Rusted tanks can cause explosion and severe injury or death. Receiver under pressure. Operator should relieve tank pressure before performing maintenance. Operate manual drain daily or after each use. Manual drain valve  located on bottom of tank. ↓</p>  |
|   | <p>Aire a alta presión. Los tanques oxidados pueden causar una explosión y lesiones graves o la muerte. Receptor bajo presión. El operador deberá aliviar la presión del tanque antes de dar servicio de mantenimiento. Debe drenarse manualmente cada día o después de cada uso. La válvula  de drenaje manual está ubicada en la parte inferior del tanque. ↓</p>            |
|   | <p>Air à haute pression. Les réservoirs rouillés peuvent provoquer une explosion et causer des blessures graves ou la mort. Récepteur sous pression. L'opérateur doit détendre la pression du réservoir avant d'effectuer l'entretien. Actionner le drain manuel quotidiennement ou après chaque utilisation. Le robinet de drain manuel  est situé en bas du réservoir. ↓</p> |

23482383-A

# INSTALLATION

## General Arrangement

EN



## ■ Selecting A Location

### ■ General

Select a clean, dry, well-lighted indoor area with plenty of space for proper cooling air flow and accessibility. Locate the unit at least 12 inches (30 cm) from walls, and make sure the main power supply is clearly identified and accessible.

### ■ Temperature

Ideal operating temperatures are between 32°F and 100°F (0°C and 37.8°C). If temperatures consistently drop below 32°F (0°C), locate the unit inside a heated building. If this is not possible, you must protect safety/relief valves and drain valves from freezing.

#### NOTICE

- **Never operate in temperatures below 20°F (-6.6°C) or above 120°F (48.9°C).**

### ■ Humid Areas

In frequently humid areas, moisture may form in the bare pump and produce sludge in the lubricant, causing running parts to wear out prematurely. Excessive moisture is especially likely to occur if the unit is located in an unheated area that is subject to large temperature changes. Two signs of excessive humidity are external condensation on the bare pump when it cools down and a “milky” appearance in petroleum compressor lubricant. You may be able to prevent moisture from forming in the bare pump by increasing ventilation, operating for longer intervals or installing a crankcase heater kit.

### ■ Noise Considerations

Consult local officials for information regarding acceptable noise levels in your area. To reduce excessive noise, use vibration isolator pads or intake silencers, relocate the unit or construct total enclosures or baffle walls.

## ■ Permanent Mounting

# CAUTION

THIS UNIT MUST BE INSTALLED ON A  
LEVEL FLOOR AND TANK FEET MUST  
BE SHIMMED PER THE OWNERS MANUAL.

## DO NOT OPERATE THE UNIT ON THE SHIPPING SKID.

10-062102919

#### CAUTION

- **Remove the compressor from the skid before mounting. Refer to the RECEIPT & INSPECTION section of this manual for information on lifting and handling the compressor.**

#### NOTICE

- **Local codes may mandate specific mounting requirements including, but not limited to, the use of vibration isolation mounts or pads. Mounting kits including vibration isolation mounts or pads may be ordered through your Ingersoll Rand dealer if not included with the compressor. Consult your local Ingersoll Rand dealer for more information.**
- **Secure the compressor to a solid, flat and level mounting surface.**
- **If vibration isolation mounts or pads are included with your compressor, they must be properly installed. Failure to install the compressor using the vibration isolation mounts or pads provided with the compressor and in accordance with the installation instructions may result in mechanical failure to the compressor and cancellation of warranty coverage.**
- **Do not install the compressor on I-beams, open-grid flooring systems, or non-solid surfaces.**
- **Ingersoll Rand shall bear no responsibility for equipment installed on non-approved vibration isolation mounts or pads or non-solid surfaces.**

To mount the compressor to a concrete surface, use the following procedure:

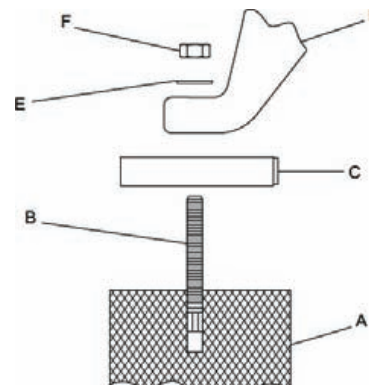
1. Mark the location of the mounting holes.
2. Drill 2-1/4 h deep holes using a 1/2" concrete drill bit.

#### NOTICE

- **It may be helpful to use a piece of tape on the drill bit to mark the proper depth.**

3. Drill a hole through the center of each isolation pad (if supplied or mandated by local codes).
4. Drive the anchors into the mounting holes with the threaded portion up.
5. Place the isolation pads over the anchors as shown in the illustration below.
6. Position the compressor over the drilled holes and slowly lower the compressor feet over the holes.
7. Install the foundation bolts.
8. Install the nuts and torque each in a criss-cross pattern to 10 ft. lb.

#### Typical Permanent Mounting



A = Mounting surface

B = Foundation bolt / anchor

C = Isolation pad (if supplied or required by local codes)

D = Compressor mounting foot

E = Washer

F = Nut

After all mounting nuts are installed, check for receiver stress by loosening each nut individually to check for upward movement of the foot. Upward movement indicates the requirement for an appropriately sized metal shim to fill in the open elevation under the foot. After all required shims have been inserted, re-tighten the nuts to 10 ft. lb.

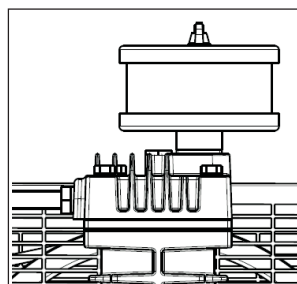
## ■ Installing The Air Inlet Filter

#### CAUTION

- **Do not operate the unit without the air inlet filter(s).**

If the air around the unit is relatively free of dirt, install the air inlet filter at the inlet connection at the bare pump. If remote air inlet piping or heavy duty filtration is required, contact your dealer for information.

#### Air Inlet Filter



## ■ Installing Discharge Piping

If it is necessary to install air discharge and condensate discharge piping, adhere to the following general guidelines. Contact your dealer for more information.

### ⚠ WARNING

- Do not use plastic pipe, rubber hose, or lead-tin soldered joints anywhere in the compressed air system.
- If an aftercooler, check valve, block valve, or any other restriction is added to the compressor discharge, install a properly-sized ASME approved safety/relief valve between the compressor discharge and the restriction.

### ⚠ CAUTION

- If you will be using Ingersoll Rand synthetic compressor lubricant, all downstream piping material and system components must be compatible. Refer to the following material compatibility list. If there are incompatible materials present in your system, or if there are materials not included in the list, contact your dealer or call 1-800-AIR-SERV.

#### Suitable:

Viton®, Teflon®, Epoxy (Glass Filled), Oil Resistant Alkyd, Fluorosilicone, Fluorocarbon, Polysulfide, 2-Component Urethane, Nylon, Delrin®, Celcon®, High Nitrile Rubber (Buna N. NBR more than 36% Acrylonitrile), Polyurethane, Polyethylene, Epichlorohydrin, Polyacrylate, Melamine, Polypropylene, Baked Phenolics, Epoxy, Modified Alkyds  
(\* indicates trademark of DuPont Corporation)

#### Not Recommended:

Neoprene, Natural Rubber, SBR Rubber, Acrylic Paint, Lacquer, Varnish, Polystyrene, PVC, ABS, Polycarbonate, Cellulose Acetate, Low Nitrile Rubber (Buna N. NBR less than 36% Acrylonitrile), EPDM, Ethylene Vinyl Acetate, Latex, EPR, Acrylics, Phenoxy, Polysulfones, Styrene Acrylonitrile (San), Butyl

## ■ General Requirements

The piping, fittings, receiver tank, etc. must be certified safe for at least the maximum working pressure of the unit. Use hard-welded or threaded steel or copper pipes and cast iron fittings that are certified safe for the unit's discharge pressure and temperature. DO NOT USE PVC PLASTIC. Use pipe thread sealant on all threads, and make up joints tightly to prevent air leaks.

## ■ Condensate Discharge Piping

If installing a condensate discharge line, the piping must be at least one size larger than the connection, as short and direct as possible, secured tightly and routed to a suitable drain point. Condensate must be disposed of in accordance with local, state, and federal laws and regulations.

### NOTICE

- All compressed air systems generate condensate which accumulates in any drain point (e.g. tanks, filters, drip legs, aftercoolers, dryers). This condensate contains lubricating oil and/or substances which may be regulated and must be disposed of in accordance with local, state, and federal laws and regulations.

## ■ Electrical Wiring

### ⚠ WARNING

- Electrical installation and service should be performed by a qualified electrician who is familiar with all applicable local, state and federal laws and regulations.

### NOTICE

- This product should be connected to a grounded, metallic, permanent wiring system, or an equipment-grounding terminal or lead on the product.

## ■ General

The motor rating, as shown on the motor nameplate, and the power supply must have compatible voltage, phase and hertz characteristics.

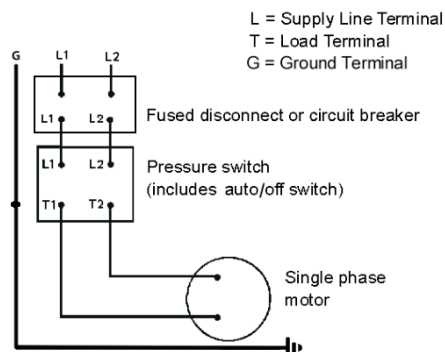
## ■ Wire Size

The electrical wiring between the power supply and electric motor varies according to motor horsepower. Power leads must be adequately sized to protect against excessive voltage drop during start-up. Information for selecting the proper wire size and securing connections should be provided with the motor. If not, refer to the National Electric Code (NEC) or applicable local, state and federal laws and regulations. If other electrical equipment is connected to the same circuit, the total electrical load must be considered in selecting the proper wire size. DO NOT USE UNDERSIZE WIRE.

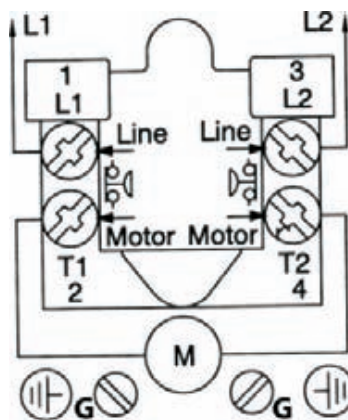
## ■ Fuses

Refer to the National Electric Code to determine the proper fuse or circuit breaker rating required. When selecting fuses, remember the momentary starting current of an electric motor is greater than its full load current. Time-delay or "slow-blow" fuses are recommended.

### Wiring schematic



### Pressure switch



## ■ Compressor Lubrication

### NOTICE

#### ADD OIL FIRST!

- This compressor pump is shipped without oil.
- Do not operate without lubricant or with inadequate lubricant.
- Do not use engine oil in the compressor pump.
- Ingersoll-Rand is not responsible for equipment failure caused by inadequate or incorrect lubrication.
- Refer to the compressor owner's manual for compressor lubricant recommendations.
- Install properly
- Check for adequate electrical supply
- Contact certified electrician
- Consult instruction manual

### AVISO

#### PRIMERO, LLENAR DE ACEITE!

- Se entrega esta bomba de compresor sin aceite.
- No hacer funcionar sin aceite ni con aceite inadecuado.
- No poner aceite de motor en la bomba del compresor.
- Ingersoll-Rand no será responsable por fallas en el equipo debidas a lubricación inadecuada o incorrecta.
- Consultar el manual del compresor en cuanto a la lubricación recomendada.
- Instalar correctamente.
- Verificar que la alimentación eléctrica sea adecuada
- Consultar un electricista certificado
- Referirse al manual de instrucciones

### AVIS

#### AJOUTEZ D'ABORD DE L'HUILE!

- Cette pompe de compresseur est livrée sans huile.
- Ne mettez pas en marche sans lubrifiant ou avec un lubrifiant non approprié.
- N'utilisez pas d'huile de moteur dans la pompe de compresseur.
- Ingersoll-Rand décline toute responsabilité pour les pannes d'équipement causées par une lubrification insuffisante ou incorrecte.
- Reportez-vous au mode d'emploi du compresseur pour les recommandations concernant le lubrifiant du compresseur.
- Installez correctement
- Vérifiez que l'alimentation électrique est adéquate
- Contactez un électricien certifié
- Consultez le manuel d'instructions

56289655-01

### NOTICE

- Do not operate without lubricant or with inadequate lubricant. Ingersoll Rand is not responsible for compressor failure caused by inadequate lubrication.

## ■ Synthetic Lubricant

We recommend **Ingersoll Rand** synthetic compressor lubricant from start-up. See the WARRANTY section for extended warranty information.

### ■ Alternate Lubricants

You may use a petroleum-based lubricant that is premium quality, does not contain detergents, contains only anti-rust, anti-oxidation, and anti-foam agents as additives, has a flashpoint of 440°F (227°C) or higher, and has an auto-ignition point of 650°F (343°C) or higher.

See the petroleum lubricant viscosity table below. The table is intended as a general guide only. Heavy duty operating conditions require heavier viscosities. Refer specific operating conditions to your dealer for recommendations.

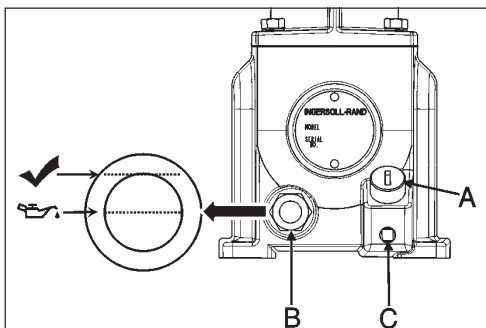
| Temperature Around Unit |             | Viscosity @ 100°F (37.8°C) |             | Viscosity Grade |     |
|-------------------------|-------------|----------------------------|-------------|-----------------|-----|
| °F                      | °C          | SUS                        | Centistokes | ISO             | SAE |
| 40 & below              | 4.4 & below | 150                        | 32          | 32              | 10  |
| 40 - 80                 | 4.4 - 26.7  | 500                        | 110         | 100             | 30  |
| 80 - 125                | 26.7 - 51.0 | 750                        | 165         | 150             | 40  |

If you use a petroleum-based compressor lubricant at start-up and decide to convert to **Ingersoll Rand** synthetic compressor lubricant later on, the compressor valves must be thoroughly decarbonized and the crankcase must be flushed before conversion.

### ■ Filling Procedures

1. Unscrew and remove the oil fill plug (A).
2. Slowly fill the crankcase with lubricant until the lubricant reaches the top thread of the oil fill opening and the top of the sight glass (B). Crankcase capacity is one-half (0.5) liter.
3. Replace the oil fill plug HAND TIGHT ONLY.

#### Filling Procedures



## OPERATION

### ■ General

Your air compressor was designed for 100% continuous duty operation with the use of **Ingersoll Rand** synthetic compressor lubricant and 60% continuous duty operation with the use of petroleum lubricant. In other words, synthetic lubricant allows the compressor to pump continuously without cycling. Petroleum lubricant limits the compressor to a maximum of 36 minutes of pumping time per hour. The compressor should not cycle more than 10 times per hour.

### ■ Initial Start-Up

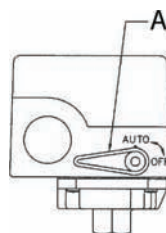
#### Pressure Switch :

The Pressure Switch is Pre-set at the required pressure. The range and differential settings ARE NOT adjustable. The Pressure Switch should not be tampered with in any way and no attempt should be made to adjust the pressure settings as this could damage the Switch to the point of failure and/or void any warranty for the Pressure Switch.

Follow this procedure before putting the unit into service for the first time:

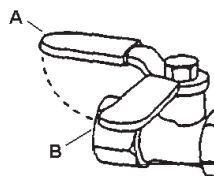
1. Set the pressure switch lever (A) to "OFF".

#### Pressure Switch Lever



2. Open the service valve fully to prevent air pressure from building in the tank. (A=Open, B=Closed).

#### Service Valve



3. Move the pressure switch lever to "ON/AUTO". The unit will start.
4. Run the unit for 30 minutes. Ensure the service valve is fully open and there is no tank pressure build up.

#### WARNING

- **Unusual noise or vibration indicates a problem. Do not continue to operate until you identify and correct the source of the problem. IF EMERGENCY CONDITIONS ARE ENCOUNTERED, SHUT OFF THE MAIN POWER IMMEDIATELY.**

5. After 30 minutes, close the service valve fully. The air receiver will fill to cut-out pressure and the motor will stop. The unit is now ready for use.

### ■ Normal Start-Up

1. Set the pressure switch lever to "OFF".
2. Close the service valve.
3. Attach hose and accessory.
4. Move the pressure switch lever to "ON/AUTO". The unit will start.
5. Allow tank pressure to build. The motor will stop when tank pressure reaches cut-out pressure.
6. Open the service valve. The unit is now ready for use.

#### NOTICE

- **When the receiver tank pressure drops below the factory pre-set minimum, the pressure switch resets and restarts the unit.**

### ■ When You Are Finished

1. Set the pressure switch lever to "OFF".
2. Close the service valve fully.
3. Remove the air tool or accessory.
4. Slowly open the service valve to bleed air pressure down to 20 psig.
5. Slowly open the manual drain valve at the bottom of the tank to drain all condensate (water).
6. Close the drain valve and the service valve for the next use.

## MAINTENANCE

### WARNING

- Disconnect, lock and tag the main power supply and release air pressure from the system before performing maintenance.

### NOTICE

- All compressed air systems contain maintenance parts (e.g. lubricating oil, filters, separators) which are periodically replaced. These used parts may be, or may contain, substances that are regulated and must be disposed of in accordance with local, state, and federal laws and regulations.
- Take note of the positions and locations of parts during disassembly to make reassembly easier. The assembly sequences and parts illustrated may differ for your particular unit.
- Any service operations not included in this section should be performed by an authorized service representative.

### ROUTINE MAINTENANCE SCHEDULE

#### Daily or Before Each Operation

- Check lubricant level. Fill as needed.
- Drain receiver tank condensate. Open the manual drain valve and collect and dispose of condensate accordingly.
- Check for unusual noise and vibration.
- Ensure beltguards and covers are securely in place.
- Ensure area around compressor is free from rags, tools, debris, and flammable or explosive materials.

#### Weekly

- Inspect air filter element. Clean or replace if necessary.

#### Monthly

- Inspect for air leaks. Squirt soapy water around joints during compressor operation and watch for bubbles.
- Check tightness of screws and bolts. Tighten as needed.
- Clean exterior.

#### 3/500 \*

- Change petroleum lubricant while crankcase is warm.

#### 12/2000 \*

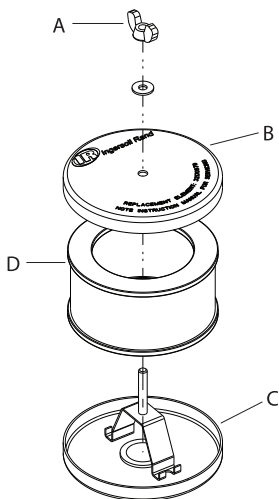
- Change synthetic lubricant while crankcase is warm.
- Replace filter element.

\* indicates months/operating hours, whichever occurs first.

### Filter Element Replacement

1. Unscrew and remove the wing nut (A) securing the filter housing (B) to its base (C).
2. Remove the filter housing and withdraw the old filter element (D). Clean the element with a jet of air or vacuum.
3. Install a new filter element and replace the housing, securing it in place with the wing nut previously removed.

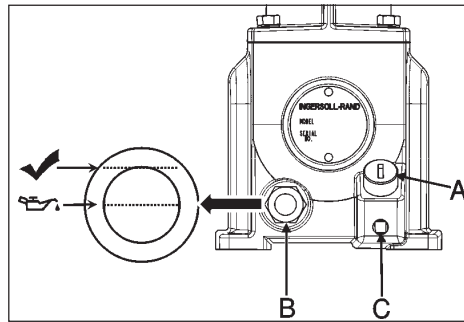
#### Filter Element Replacement



### Oil Change

1. Remove the oil drain plug (C) and allow the lubricant to drain into a suitable container.
2. Replace the oil drain plug.
3. Follow the filling procedures in OPERATION section.

#### Oil Change



### Belt Adjustment

#### Checking Belt Tension

Check belt tension occasionally, especially if looseness is suspected. A quick check to determine if adjustment is proper may be made by observing the slack side of the belt for a slight bow when the unit is in operation. If a slight bow is evident, the belt is usually adjusted satisfactorily.

#### Tensioning Belts

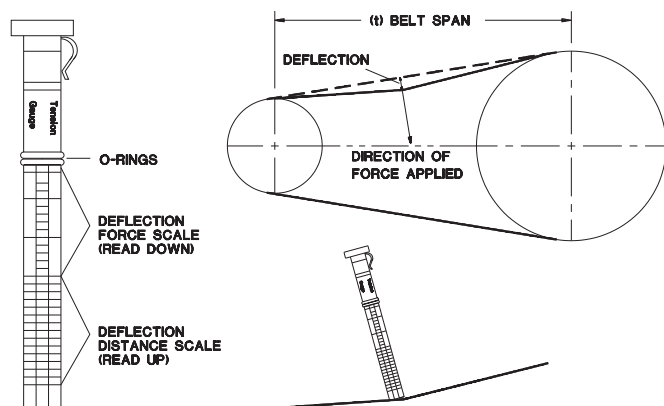
Belt tensioning can be achieved by loosening the motor anchor screws, pushing the motor away from the pump, and retightening the motor anchor screws. The motor can be easily moved by placing a prying tool beneath it. A commercially available spreader or other belt tensioning device can also be helpful should tensioning be necessary.

Follow the procedures outlined below to correctly set and measure belt tension.

1. Lay a straight edge across the top outer surface of the belt drive from pulley to sheave.
2. At the center of the span, perpendicular to the belt, apply pressure to the outer surface of the belt with a tension gauge. Force the belt to the deflection indicated in the following table and compare the reading.

| Deflection in Inches | Min. Tension (Lb.) | Max. Tension (Lb.) |
|----------------------|--------------------|--------------------|
| 0.17                 | 3.0                | 6.0                |

#### Belt Tensioning



Ensure the pulley and sheave are properly aligned and the motor anchor screws are adequately retightened prior to restarting the compressor.

### NOTICE

- Improper pulley/sheave alignment and belt tension can result in motor overload, excessive vibration, and premature belt and/or bearing failure. To prevent these problems from occurring, ensure the pulley and sheave are aligned and belt tension is satisfactory after installing new belts or tensioning existing belts.



## ■ Tank Inspection

The life of an air receiver tank is dependent upon several factors including, but not limited to, operating conditions, ambient environments, and the level of maintenance. The exact effect of these factors on tank life is difficult to predict; therefore, **Ingersoll Rand** recommends that you schedule a certified tank inspection within the first five years of compressor service. To arrange a tank inspection, contact the nearest **Ingersoll Rand** service provider.

If the tank has not been inspected within the first 10 years of compressor service, the tank must be taken out of service until it has passed inspection. Tanks that fail to meet requirements must be replaced.

### WARNING

- **Failure to replace a rusted air receiver tank could result in air receiver tank rupture or explosion, which could cause substantial property damage, severe personal injury, or death. Never modify or repair tank. Obtain replacement from service center.**

## TROUBLESHOOTING

EN

| PROBLEM                                | POSSIBLE CAUSE   | POSSIBLE SOLUTION  |
|--|--|--|
| Abnormal piston, ring or cylinder wear | <ol style="list-style-type: none"> <li>Lubricant viscosity too low.</li> <li>Lubricant level too low.</li> <li>Detergent type lubricant being used.</li> <li>Cylinder(s) or piston(s) scratched, worn or scored.</li> <li>Extremely dusty atmosphere.</li> <li>Worn cylinder finish.</li> </ol>  | <ol style="list-style-type: none"> <li>Drain existing lubricant and refill with proper lubricant.</li> <li>Add lubricant to crankcase to proper level.</li> <li>Drain existing lubricant and refill with proper lubricant.</li> <li>Repair or replace as required.</li> <li>Install remote air inlet piping and route to source of cleaner air. Install more effective filtration.</li> <li>Deglaze cylinder with 180 grit flex-hone.</li> </ol>   |
| Air delivery drops off                 | <ol style="list-style-type: none"> <li>Clogged or dirty inlet and/or discharge line filter.</li> <li>Air leaks in air discharge piping.</li> <li>Lubricant viscosity too high.</li> <li>Compressor valves leaky, broken, carbonized or loose.</li> <li>Piston rings damaged or worn (broken, rough or scratched). Excessive end gap or side clearance.</li> <li>Piston rings not seated, are stuck in grooves or end gaps not staggered.</li> <li>Cylinder(s) or piston(s) scratched, worn or scored.</li> <li>Defective safety/relief valve.</li> </ol> | <ol style="list-style-type: none"> <li>Clean or replace.</li> <li>Check tubing and connections.</li> <li>Drain existing lubricant and refill with proper lubricant.</li> <li>Inspect valves. Clean or replace as required. Install valve kit.</li> <li>Install ring kit.</li> <li>Adjust piston rings.</li> <li>Repair or replace as required.</li> <li>Replace.</li> </ol>  |
| Unit does not come up to speed         | <ol style="list-style-type: none"> <li>Loose beltwheel or motor pulley, excessive end play in motor shaft or loose drive belts.</li> <li>Lubricant viscosity too high.</li> <li>Improper line voltage.</li> <li>Compressor valves leaky, broken, carbonized or loose.</li> <li>Defective ball bearings on crankshaft or motor shaft.</li> </ol>  | <ol style="list-style-type: none"> <li>Check beltwheel, motor pulley, crankshaft, drive belt tension and alignment. Repair or replace as required.</li> <li>Drain existing lubricant and refill with proper lubricant.</li> <li>Check line voltage and upgrade lines as required. Contact electrician.</li> <li>Inspect valves. Clean or replace as required. Install valve kit.</li> <li>Inspect bearings and replace crankshaft assembly if required.</li> </ol>   |
| Unit is slow to come up to speed       | <ol style="list-style-type: none"> <li>Lubricant viscosity too high.</li> <li>Leaking check valve or check valve seat blown out.</li> <li>Ambient temperature too low.</li> <li>Bad motor.</li> </ol>  | <ol style="list-style-type: none"> <li>Drain existing lubricant and refill with proper lubricant.</li> <li>Replace check valve.</li> <li>Relocate unit to warmer environment. Install crankcase heater kit.</li> <li>Replace.</li> </ol>   |
| Unit runs excessively hot              | <ol style="list-style-type: none"> <li>Inadequate ventilation around beltwheel.</li> <li>Drive belts too tight or misaligned.</li> <li>Compressor valves leaky, broken, carbonized or loose.</li> <li>Wrong beltwheel direction of rotation.</li> </ol>  | <ol style="list-style-type: none"> <li>Relocate unit for better air flow.</li> <li>Adjust belts to proper tension and alignment.</li> <li>Inspect valves. Clean or replace as required. Install valve kit.</li> <li>Check motor wiring for proper connections. Reverse two leads on three-phase motors.</li> </ol>   |
| Excessive noise during operation       | <ol style="list-style-type: none"> <li>Loose beltwheel or motor pulley, excessive end play in motor shaft or loose drive belts.</li> <li>Lubricant viscosity too high.</li> <li>Lubricant level too low.</li> <li>Compressor valves leaky, broken, carbonized or loose.</li> <li>Carbon build-up on top of piston(s).</li> <li>Defective ball bearings on crankshaft or motor shaft.</li> <li>Leaking check valve or check valve seat blown out.</li> </ol>  | <ol style="list-style-type: none"> <li>Check beltwheel, motor pulley, crankshaft, drive belt tension and alignment. Repair or replace as required.</li> <li>Drain existing lubricant and refill with proper lubricant.</li> <li>Add lubricant to crankcase to proper level.</li> <li>Inspect valves. Clean or replace as required. Install valve kit.</li> <li>Clean piston(s). Repair or replace as required.</li> <li>Inspect bearings and replace crankshaft assembly if required.</li> <li>Replace check valve.</li> </ol> |
| Excessive starting and stopping        | <ol style="list-style-type: none"> <li>Air leaks in air discharge piping.</li> <li>Leaking check valve or check valve seat blown out.</li> <li>Excessive condensate in receiver tank.</li> </ol>   | <ol style="list-style-type: none"> <li>Check tubing and connections.</li> <li>Replace check valve.</li> <li>Drain receiver tank with manual drain valve.</li> </ol>  |

| PROBLEM  | POSSIBLE CAUSE   | POSSIBLE SOLUTION  |
|--|--|--|
| High oil consumption   | <ol style="list-style-type: none"> <li>1. Clogged or dirty inlet and/or discharge line filter.</li> <li>2. Lubricant viscosity too low.</li> <li>3. Detergent type lubricant being used.</li> <li>4. Piston rings damaged or worn (broken, rough or scratched). Excessive end gap or side clearance.</li> <li>5. Piston rings not seated, are stuck in grooves or end gaps not staggered.</li> <li>6. Cylinder(s) or piston(s) scratched, worn or scored.</li> <li>7. Connecting rod, piston pin or crankpin bearings worn or scored.</li> <li>8. Crankshaft seal worn or crankshaft scored.</li> <li>9. Worn cylinder finish.</li> </ol>  | <ol style="list-style-type: none"> <li>1. Clean or replace.</li> <li>2. Drain existing lubricant and refill with proper lubricant.</li> <li>3. Drain existing lubricant and refill with proper lubricant.</li> <li>4. Install ring kit.</li> <li>5. Adjust piston rings.</li> <li>6. Repair or replace as required.</li> <li>7. Inspect all. Repair or replace as required.</li> <li>8. Replace seal or crankshaft assembly.</li> <li>9. Deglaze cylinder with 180 grit flex-hone.</li> </ol>  |
| Knocking or rattling   | <ol style="list-style-type: none"> <li>1. Loose beltwheel or motor pulley, excessive end play in motor shaft or loose drive belts.</li> <li>2. Compressor valves leaky, broken, carbonized or loose.</li> <li>3. Carbon build-up on top of piston(s).</li> <li>4. Cylinder(s) or piston(s) scratched, worn or scored.</li> <li>5. Connecting rod, piston pin or crankpin bearings worn or scored.</li> <li>6. Defective ball bearings on crankshaft or motor shaft.</li> </ol>   | <ol style="list-style-type: none"> <li>1. Check beltwheel, motor pulley, crankshaft, drive belt tension and alignment. Repair or replace as required.</li> <li>2. Inspect valves. Clean or replace as required. Install valve kit.</li> <li>3. Clean piston(s). Repair or replace as required.</li> <li>4. Repair or replace as required.</li> <li>5. Inspect all. Repair or replace as required.</li> <li>6. Inspect bearings and replace crankshaft assembly if required.</li> </ol>   |
| Lights flicker or dim when running   | <ol style="list-style-type: none"> <li>1. Improper line voltage.</li> <li>2. Wiring or electric service panel too small.</li> <li>3. Poor contact on motor terminals or starter connections.</li> <li>4. Improper starter overload heaters.</li> <li>5. Poor power regulation (unbalanced line).</li> </ol>  | <ol style="list-style-type: none"> <li>1. Check line voltage and upgrade lines as required. Contact electrician.</li> <li>2. Install properly sized wire or service box. Contact electrician.</li> <li>3. Ensure good contact on motor terminals or starter connections.</li> <li>4. Install proper starter overload heaters. Contact electrician.</li> <li>5. Contact power company.</li> </ol>   |
| Moisture in crankcase or "milky" appearance in petroleum lubricant or rusting in cylinders | <ol style="list-style-type: none"> <li>1. Detergent type lubricant being used.</li> <li>2. Extremely light duty cycles.</li> <li>3. Unit located in damp or humid location.</li> </ol>   | <ol style="list-style-type: none"> <li>1. Drain existing lubricant and refill with proper lubricant.</li> <li>2. Run unit for longer duty cycles.</li> <li>3. Relocate unit.</li> </ol>  |
| Motor overload trips or draws excessive current  | <ol style="list-style-type: none"> <li>1. Lubricant viscosity too high.</li> <li>2. Improper line voltage.</li> <li>3. Wiring or electric service panel too small.</li> <li>4. Poor contact on motor terminals or starter connections.</li> <li>5. Improper starter overload heaters.</li> <li>6. Poor power regulation (unbalanced line).</li> <li>7. Drive belts too tight or misaligned.</li> <li>8. Compressor valves leaky, broken, carbonized or loose.</li> <li>9. Cylinder(s) or piston(s) scratched, worn or scored.</li> <li>10. Connecting rod, piston pin or crankpin bearings worn or scored.</li> <li>11. Defective ball bearings on crankshaft or motor shaft.</li> <li>12. Leaking check valve or check valve seat blown out.</li> <li>13. Ambient temperature too low.</li> <li>14. Bad motor.</li> </ol> | <ol style="list-style-type: none"> <li>1. Drain existing lubricant and refill with proper lubricant.</li> <li>2. Check line voltage and upgrade lines as required. Contact electrician.</li> <li>3. Install properly sized wire or service box. Contact electrician.</li> <li>4. Ensure good contact on motor terminals or starter connections.</li> <li>5. Install proper starter overload heaters. Contact electrician.</li> <li>6. Contact power company.</li> <li>7. Adjust belts to proper tension and alignment.</li> <li>8. Inspect valves. Clean or replace as required. Install valve kit.</li> <li>9. Repair or replace as required.</li> <li>10. Inspect all. Repair or replace as required.</li> <li>11. Inspect bearings and replace crankshaft assembly if required.</li> <li>12. Replace check valve.</li> <li>13. Relocate unit to warmer environment. Install crankcase heater kit. Convert to synthetic lubricant.</li> <li>14. Replace</li> </ol> |
| Motor will not start   | <ol style="list-style-type: none"> <li>1. Improper line voltage.</li> <li>2. Wiring or electric service panel too small.</li> <li>3. Poor contact on motor terminals or starter connections.</li> <li>4. Improper starter overload heaters.</li> <li>5. Bad motor.</li> </ol>  | <ol style="list-style-type: none"> <li>1. Check line voltage and upgrade lines as required. Contact electrician.</li> <li>2. Install properly sized wire or service box. Contact electrician.</li> <li>3. Ensure good contact on motor terminals or starter connections.</li> <li>4. Install proper starter overload heaters. Contact electrician.</li> <li>5. Replace</li> </ol>  |

| <b>PROBLEM</b>                     | <b>POSSIBLE CAUSE</b>  | <b>POSSIBLE SOLUTION</b>  |
|------------------------------------|--|---|
| Oil in discharge air (oil pumping) | <ol style="list-style-type: none"> <li>1. Lubricant viscosity too low.</li> <li>2. Detergent type lubricant being used.</li> <li>3. Piston rings damaged or worn (broken, rough or scratched). Excessive end gap or side clearance.</li> <li>4. Piston rings not seated, are stuck in grooves or end gaps not staggered.</li> <li>5. Cylinder(s) or piston(s) scratched, worn or scored.</li> <li>6. Worn cylinder finish.</li> <li>7. Excessive condensate in receiver tank.</li> </ol> | <ol style="list-style-type: none"> <li>1. Drain existing lubricant and refill with proper lubricant.</li> <li>2. Drain existing lubricant and refill with proper lubricant.</li> <li>3. Install ring kit.</li> <li>4. Adjust piston rings.</li> <li>5. Repair or replace as required.</li> <li>6. Deglaze cylinder with 180 grit flex-hone.</li> <li>7. Drain receiver tank with manual drain valve.</li> </ol> |
| Oil leaking from shaft seal        | <ol style="list-style-type: none"> <li>1. Crankshaft seal worn or crankshaft scored.</li> </ol>  | <ol style="list-style-type: none"> <li>1. Replace seal or crankshaft assembly.</li> </ol>   |
| Safety/relief valve "pops"         | <ol style="list-style-type: none"> <li>1. Clogged or dirty inlet and/or discharge line filter.</li> <li>2. Compressor valves leaky, broken, carbonized or loose.</li> <li>3. Defective safety/relief valve.</li> </ol>   | <ol style="list-style-type: none"> <li>1. Clean or replace.</li> <li>2. Inspect valves. Clean or replace as required. Install valve kit.</li> <li>3. Replace</li> </ol>   |

## WARRANTY

**Ingersoll Rand** Company warrants that the Equipment manufactured by it and delivered hereunder shall be free of defects in material and workmanship for a period of twelve (12) months from the date of placing the Equipment in operation or eighteen (18) months from the date of shipment, whichever shall occur first. The foregoing warranty period shall apply to all Equipment, except for the following: (A) Compressors that are operated solely on **Ingersoll Rand** Synthetic Compressor Lubricant will have their bare compressor warranted for the earlier of twenty-four (24) months from the date of initial operation or thirty (30) months from the date of shipment. (B) Replacement parts will be warranted for six (6) months from the date of shipment. Should any failure to conform to this Warranty be reported in writing to the Company within said period, the Company shall, at its option, correct such nonconformity by suitable repair to such Equipment, or furnish a replacement part F.O.B. point of shipment, provided the purchaser has installed, maintained and operated such equipment in accordance with good industry practices and has complied with specific recommendations of the Company. Accessories or equipment furnished by the Company, but manufactured by others, shall carry whatever warranty the manufacturer conveyed to **Ingersoll Rand** Company and which can be passed on to the Purchaser. The Company shall not be liable for any repairs, replacements, or adjustments to the Equipment or any costs of labor performed by the Purchaser without the Company's prior written approval.

The Company makes no performance warranty unless specifically stated within its proposal and the effects of corrosion, erosion and normal wear and tear are specifically excluded from the Company's Warranty. In the event performance warranties are expressly included, the Company's obligation shall be to correct in the manner and for the period of time provided above.

THE COMPANY MAKES NO OTHER WARRANTY OF REPRESENTATION OF ANY KIND WHATSOEVER, EXPRESSED OR IMPLIED, EXCEPT THAT OF TITLE, AND ALL IMPLIED WARRANTIES OF MERCHANTABILITY AND FITNESS FOR A PARTICULAR PURPOSE, ARE HEREBY DISCLAIMED.

Correction by the Company of nonconformities, whether patent or latent, in the manner and for the period of time provided above, shall constitute fulfillment of all liabilities of the Company and its Distributors for such nonconformities with respect to or arising out of such Equipment.

## LIMITATION OF LIABILITY

THE REMEDIES OF THE PURCHASER SET FORTH HEREIN ARE EXCLUSIVE, AND THE TOTAL LIABILITY OF THE COMPANY, ITS DISTRIBUTORS AND SUPPLIERS WITH RESPECT TO CONTRACT OR THE EQUIPMENT AND SERVICES FURNISHED, IN CONNECTION WITH THE PERFORMANCE OR BREACH THEREOF, OR FROM THE MANUFACTURE, SALE, DELIVERY, INSTALLATION, REPAIR OR TECHNICAL DIRECTION COVERED BY OR FURNISHED UNDER CONTRACT, WHETHER BASED ON CONTRACT, WARRANTY, NEGLIGENCE, INDEMNITY, STRICT LIABILITY OR OTHERWISE SHALL NOT EXCEED THE PURCHASE PRICE OF THE UNIT OF EQUIPMENT UPON WHICH SUCH LIABILITY IS BASED.

THE COMPANY, ITS DISTRIBUTORS AND ITS SUPPLIERS SHALL IN NO EVENT BE LIABLE TO THE PURCHASER, ANY SUCCESSORS IN INTEREST OR ANY BENEFICIARY OR ASSIGNEE OF THE CONTRACT FOR ANY CONSEQUENTIAL, INCIDENTAL, INDIRECT, SPECIAL OR PUNITIVE DAMAGES ARISING OUT OF THIS CONTRACT OR ANY BREACH THEREOF, OR ANY DEFECT IN, OR FAILURE OF, OR MALFUNCTION OF THE EQUIPMENT, WHETHER OR NOT BASED UPON LOSS OF USE, LOSS PROFITS OR REVENUE, INTEREST, LOST GOODWILL, WORK STOPPAGE, IMPAIRMENT OF OTHER GOODS, LOSS BY REASON OF SHUTDOWN OR NON-OPERATION, INCREASED EXPENSES OF OPERATION, COST OF PURCHASE OF REPLACEMENT POWER, OR CLAIMS OF PURCHASER OR CUSTOMERS OF PURCHASER FOR SERVICE INTERRUPTION WHETHER OR NOT SUCH LOSS OR DAMAGE IS BASED ON CONTRACT, WARRANTY, NEGLIGENCE, INDEMNITY, STRICT LIABILITY OR OTHERWISE.

## EXPLICACIÓN DE LAS PALABRAS DE SEÑALES DE SEGURIDAD

### PELIGRO

Indica una situación peligrosa inminentemente la cual, si no se evita, resultará en la muerte o en lesiones graves.

### ADVERTENCIA

Indica una situación potencialmente peligrosa la cual, si no se evita, resultara en la muerte o en lesiones graves.

### PRECAUCIÓN

Indica una situación potencialmente peligrosa la cual, si no se evita, puede generar una lesión menor o moderada o danos a la propiedad.

### AVISO

Indica informacion o una politica de la compania que se relaciona directa o indirectamente con la seguridad del personal o la proteccion de la propiedad.

## GARANTÍA Y REGISTRO DEL PRODUCTO

**Ingersoll Rand** garantiza el equipo por un periodo de doce (12) meses a partir de la fecha en que se ponga el equipo en operacion o dieciocho (18) meses a partir de la fecha de envio, lo que ocurra primero.

Los compresores que operan unicamente con lubricante sintetico para compresor All Season Select tendran la bomba para compresor (la bomba unica) garantizada por veinticuatro (24) meses a partir de la fecha de operacion inicial o treinta (30) meses a partir de la fecha de envio, lo que suceda primero.

Para registrar su producto, debe contactar a su proveedor local de soluciones de aire de servicio completo. Para localizar a su proveedor mas cercano:

1. Vaya a [ingersollrandproducts.com](http://ingersollrandproducts.com) en su explorador Web.
2. Seleccione la region de America en la pagina principal.
3. Haga clic en "Servicio al Cliente".
4. Haga clic en "Contacto".
5. Haga clic en "Soluciones de aire comprimido".
6. Si usted se encuentra en Estados Unidos, ingrese su codigo postal de 5 digitos en el campo para encontrar a su proveedor local de soluciones de aire de servicio completo y despues presione "Buscar por codigo postal". Si se encuentra fuera de Estados Unidos, seleccione su pais en la lista de "Ubicaciones Internacionales" y despues pulse "Enviar".

## INFORMACIONES GENERALES

### ■ Introducción

Este manual ofrece instrucciones seguras y confiables para la instalacion, operacion y mantenimiento de su compresor de aire **Ingersoll Rand**. Lea atentamente este manual antes de tratar de operarlo o hacer cualquier mantenimiento. Si no esta seguro acerca de alguna de las instrucciones o procedimientos que aparecen en este manual, comuniquese con **Ingersoll Rand**. Le recomendamos que guarde este manual y todas las publicaciones que vienen con su compresor de aire en un lugar accesible a todo el personal que opera y da servicio a su equipo compresor de aire.

### ■ Aplicación

Su compresor de aire está adecuado para la operación de herramientas neumáticas, pistolas de calefatear, pistolas engrasadoras, chorreadoras de arena, etc. Se necesitan los siguientes accesorios según la aplicación:

- Un regulador de la presión de aire para ajustar la presión de aire entrante la herramienta o accesorio.
- Un filtro de la línea de aire para eliminar la humedad y el vapor de aceite del aire comprimido.
- Un lubricador en línea para prolongar la vida de las herramientas neumáticas.
- Transformadores de aire separados combinando las funciones de regulación de aire y/o la eliminación de la humedad y suciedad.

Comuniquese con su representante autorizado o llame al 1-800-AIR-SERV para informaciones adicionales de las herramientas neumáticas y los accesorios de aplicaciones individuales

### ■ Otras referencias

A menos que se indique otra cosa, las dimensiones, pesos y medidas se dan en medidas estandares de los EE.UU., seguidas entre parentesis por la conversion al

sistema metrico. Los valores de torsion dados se indican en pulgadas o pies libras, seguidos por el equivalente en Newton-metros entre parentesis. Las características electricas se dan en voltaje-fase-hertzios.

## RECIBO E INSPECCIÓN

Asegúrese de que existan equipos de carga adecuados para descargar y trasladar su compresor al sitio de instalación.

### ADVERTENCIA

- **La elevacion del equipo se debe medir adecuadamente para el peso del compresor. La informacion de peso esta impresa en la etiqueta que esta pegada en el contenedor de embarque.**
- **Levante el compresor unicamente por los patines de embarque.**
- **No use el ojo de izaje del motor para levantar todo el compresor. El ojo de izaje del motor es unicamente para quitar el motor del compresor.**
- **No trabaje ni camine por debajo del compresor mientras este suspendido.**

Utilice el equipo de izaje adecuado (tal como un montacargas) para levantar y transportar el compresor al sitio de la instalacion. Asegúrese de que el equipo de izaje, las cintas, etc. puedan soportar el peso del compresor.

Antes de firmar el recibo de entrega, asegúrese de que haya piezas que falten o que estén dañadas. Si hay evidencia de daños o de que faltan piezas, haga la anotación respectiva en el recibo de entrega y luego firmelo. Comuníquese inmediatamente con el transportista para que realice una inspección.

Todo el material se debe mantener en el lugar de recepción para la inspección del transportista.

Los recibos de entrega firmados que no tienen anotación de daños o piezas faltantes se consideran como prueba de una entrega "sin problemas" Cualquier reclamo posterior se considerará como demanda por daños ocultos. Liquide cualquier demanda por daños con la empresa de transporte.

Si descubre algún daño después de recibir el compresor (daño oculto), debe notificar al transportista dentro de un plazo de 15 días después del recibo y solicitar por teléfono una inspección una confirmación por escrito. En las demandas por daños ocultos, la responsabilidad de establecer que el compresor se dañó durante el transporte recae en la persona que hace el reclamo.

Lea la placa de identificación del compresor para verificar que corresponde al modelo solicitado y lea la placa del motor para verificar que es compatible con sus condiciones eléctricas.

Asegúrese de que las cajas y componentes eléctricos sean los adecuados.

## REGLAS GENERALES DE SEGURIDAD

### ⚠ DANGER / PELIGRO / DANGER

**INTAKE AIR. CAN CONTAIN CARBON MONOXIDE OR OTHER CONTAMINANTS. WILL CAUSE SERIOUS INJURY OR DEATH.** INGERSOLL-RAND AIR COMPRESSORS ARE NOT DESIGNED, INTENDED OR APPROVED FOR BREATHING AIR. COMPRESSED AIR SHOULD NOT BE USED FOR BREATHING AIR APPLICATIONS UNLESS TREATED IN ACCORDANCE WITH ALL APPLICABLE CODES AND REGULATIONS.

**AIRE DE ADMISIÓN. PUEDE CONTENER MONÓXIDO DE CARBONO U OTROS CONTAMINANTES. PUEDE CAUSAR LESIONES GRAVES O LA MUERTE.** LOS COMPRESORES DE AIRE INGERSOLL-RAND NO ESTÁN DISEÑADOS, DESTINADOS PARA AIRE RESPIRABLE. NO SE DEBE USAR EL AIRE COMPRIMIDO PARA APLICACIONES DE AIRE RESPIRABLE A MENOS QUE SE TRATE DE ACUERDO CON TODAS LAS NORMAS Y REGLAMENTOS CORRESPONDIENTES.

**AIR D'ADMISSION. PEUT CONTENIR DU MONOXYDE DE CARBONE OU D'AUTRES CONTAMINANTS. CAUSE DES BLESSURES GRAVES OU LA MORT.** LES COMPRESSEURS INGERSOLL-RAND N'ONT PAS ÉTÉ CONÇUS, NI DESTINÉS, NI APPROUVÉS POUR LA COMPRESSION D'AIR RESPIRABLE. L'AIR COMPRIMÉ NE DOIT PAS ÊTRE UTILISÉ POUR LA RESPIRATION À MOINS QU'IL N'AIT ÉTÉ TRAITÉ D'APRÈS LES NORMES ET RÉGLEMENTS EN VIGUEUR POUR CETTE APPLICATION.

54653662-00



### ⚠ WARNING/ADVERTENCIA/AVERTISSEMENT

**HOT SURFACES. CAN CAUSE SERIOUS INJURY. DO NOT TOUCH. ALLOW TO COOL BEFORE SERVICING.**

**SUPERFICIE CALIENTE. PUEDE CAUSAR LESIONES GRAVES. NO TOCAR. DEJE QUE SE ENFRIE ANTES DE DAR SERVICIO.**

**SURFACE CHAUDE. PEUT CAUSER DES BLESSURES GRAVES. NE PAS TOUCHER. ATTENDRE LE REFROIDISSEMENT AVANT DE RÉPARER.**

56276652-01



### ⚠ WARNING



**READ OWNERS MANUAL BEFORE STARTING COMPRESSOR.**



**MOVING PARTS. CAN CAUSE SERIOUS INJURY. DO NOT OPERATE WITH GUARDS REMOVED. MACHINE MAY START AUTOMATICALLY. DISCONNECT POWER BEFORE SERVICING. LOCKOUT / TAGOUT MACHINE.**



**RISK OF FIRE OR EXPLOSION. ELECTRICAL ARCING FROM COMPRESSOR COMPONENTS CAN IGNITE FLAMMABLE LIQUIDS AND VAPORS WHICH CAN RESULT IN SERIOUS INJURY. NEVER OPERATE THE COMPRESSOR NEAR FLAMMABLE LIQUIDS OR VAPORS. IF USED TO SPRAY FLAMMABLE MATERIALS, KEEP COMPRESSOR AT LEAST 20FT AWAY FROM THE SPRAY AREA.**



**HIGH PRESSURE AIR. BYPASSING, MODIFYING OR REMOVING SAFETY/RELIEF VALVES CAN CAUSE SERIOUS INJURY OR DEATH. DO NOT BYPASS, MODIFY OR REMOVE SAFETY / RELIEF VALVES. DO NOT DIRECT AIR STREAM AT BODY. RISK OF BURSTING. USE ONLY SUITABLE AIR HANDLING PARTS ACCEPTABLE FOR PRESSURE OF NOT LESS THAN THE MAXIMUM ALLOWABLE WORKING PRESSURE OF THE MACHINE. NEVER MODIFY OR REPAIR TANK, OBTAIN REPLACEMENT FROM SERVICE CENTER.**



**RISK OF ELECTRIC SHOCK. DISCONNECT COMPRESSOR FROM ELECTRICAL SUPPLY CIRCUIT BEFORE SERVICING. DO NOT EXPOSE COMPRESSOR TO RAIN OR OPERATE IN A WET AREA. STORE INDOORS.**

### ⚠ ADVERTENCIA



**LEA EL MANUAL DEL USUARIO ANTES DE HACER ARRANCAR EL COMPRESOR.**



**PARTES MÓVILES. PUEDE CAUSAR LESIONES GRAVES. NO OPERE LA MAQUINA SI SE HA RETIRADO EL PROTECTOR. LA MAQUINA PUEDE EMPEZAR A FUNCIONAR AUTOMÁTICAMENTE. DESCONECTE LA ENERGÍA ANTE DE DARLE SERVICIO A LA MAQUINA. BLOQUEAR/ETIQUETAR LA MAQUINA.**



**RIESGO DE INCENDIO O EXPLOSIÓN. EL ARCO ELÉCTRICO PRODUCIDO POR LOS COMPONENTES DEL COMPRESOR PUEDE ENCENDER LOS LÍQUIDOS Y VAPORES INFLAMABLES, CAUSANDO LESIONES GRAVES. NO HAGA FUNCIONAR NUNCA EL COMPRESOR CERCA DE LÍQUIDOS O VAPORES INFLAMABLES. SI SE UTILIZA PARA ASPERSIÓN DE MATERIALES INFLAMABLES, DEBE MANTENERSE EL COMPRESOR A UNA DISTANCIA MÍNIMA DE 20 PIES (6 METROS) DEL ÁREA DE ASPERSIÓN.**



**AIRE DE ALTA PRESIÓN. LA DERIVACIÓN MODIFICACIÓN O RETIRO DE LAS VÁLVULAS DE SEGURIDAD/ALIVIO PUEDE CAUSAR LESIONES GRAVES O LA MUERTE. NO DERIVE, MODIFIQUE O RETIRE LAS VÁLVULAS DE SEGURIDAD/ALIVIO. RIESGO DE EXPLOSIÓN. UTILICE SOLAMENTE PIEZAS DE MANIPULACIÓN DE AIRE ADECUADAS QUE SEAN ACEPTABLES PARA PRESIONES NO MENORES A LA PRESIÓN MÁXIMA DE TRABAJO ADMISIBLE DE LA MÁQUINA. NO MODIFIQUE NI REPARE NUNCA EL TANQUE; OBTenga UN REEMPLAZO DEL CENTRO DE SERVICIO.**



**RIESGO DE DESCARGA ELÉCTRICA. DESCONECTE EL COMPRESOR DEL CIRCUITO DE SUMINISTRO ELÉCTRICO ANTES DE DARLE SERVICIO. NO HAGA FUNCIONAR EL COMPRESOR A LA LLUVIA NI LO OPERE EN UN LUGAR HÚMEDO. ALMACÉNELO EN EL INTERIOR.**

### ⚠ AVERTISSEMENT



**LISEZ LE MANUEL DE L'UTILISATEUR AVANT DE METTRE LE COMPRESSEUR EN MARCHÉ.**



**PIECES TOURNANTES. PEUT CAUSER DES BLESSURES GRAVES. NE PAS OPERER SANS PROTECTIONS. LA MACHINE PEUT COMMENCER AUTOMATIQUEMENT. DEBRANCHER AVANT LE SERVICE. VERROUILLER/ETIQUETER LA MACHINE.**



**RISQUE D'INCENDIE OU D'EXPLOSION. LES ARCS ÉLECTRIQUES PRODUITS PAR LES COMPOSANTS DU COMPRESSEUR PEUVENT ENFLAMMER LES LIQUIDES ET VAPEURS INFLAMMABLES, CE QUI PEUT CAUSER DES BLESSURES GRAVES. NE JAMAIS FAIRE MARCHER LE COMPRESSEUR À PROXIMITÉ DES LIQUIDES OU VAPEURS INFLAMMABLES. S'IL EST UTILISÉ POUR VAPORISER DES MATIÈRES INFLAMMABLES, GARDER LE COMPRESSEUR À 6 MÈTRES (20 PIEDS) AU MOINS DE LA ZONE DE VAPORISATION.**




**AIR SOUS PRESSION ÉLEVÉE. LE CONTOURNEMENT, LA MODIFICATION OU LE RETRAIT DE SOUPAPES DE SÉCURITÉ / DETENTE PEUT CAUSER DES BLESSURES GRAVES OU LA MORT. NE PAS CONTOURNER, MODIFIER OU RETIRER LES SOUPAPES DE SÉCURITÉ/DETENTE. RISQUE D'ÉCLATEMENT. UTILISER UNIQUEMENT DES PIÈCES DE MANIPULATION D'AIR DONT LA PRESSION NOMINALE N'EST PAS INFÉRIEURE À LA PRESSION MAXIMALE ADMISSIBLE DE TRAVAIL DE L'APPAREIL. NE JAMAIS MODIFIER OU RÉPARER LE RÉSERVOIR; OBTENIR UN RECHANGE AUPRÈS DU CENTRE DE SERVICE.**





**DANGER DE CHOC ÉLECTRIQUE. DÉBRANCHER LE COMPRESSEUR DU CIRCUIT ÉLECTRIQUE D'ALIMENTATION AVANT DE FAIRE DES ENTRETIENS. NE PAS EXPOSER LE COMPRESSEUR À LA PLUIE ET VEILLER À L'UTILISER À L'ABRI DU MOUILLE. STOCKER À L'INTÉRIEUR.**

### ⚠ WARNING / ADVERTENCIA / AVERTISSEMENT



**High Pressure Air. Rusted tanks can cause explosion and severe injury or death. Receiver under pressure. Operator should relieve tank pressure before performing maintenance. Operate manual drain daily or after each use. Manual drain valve  located on bottom of tank.**

**Aire a alta presión. Los tanques oxidados pueden causar una explosión y lesiones graves o la muerte. Receptor bajo presión. El operador deberá aliviar la presión del tanque antes de dar servicio de mantenimiento. Debe drenarse manualmente cada día o después de cada uso. La válvula  de drenaje manual está ubicada en la parte inferior del tanque.**

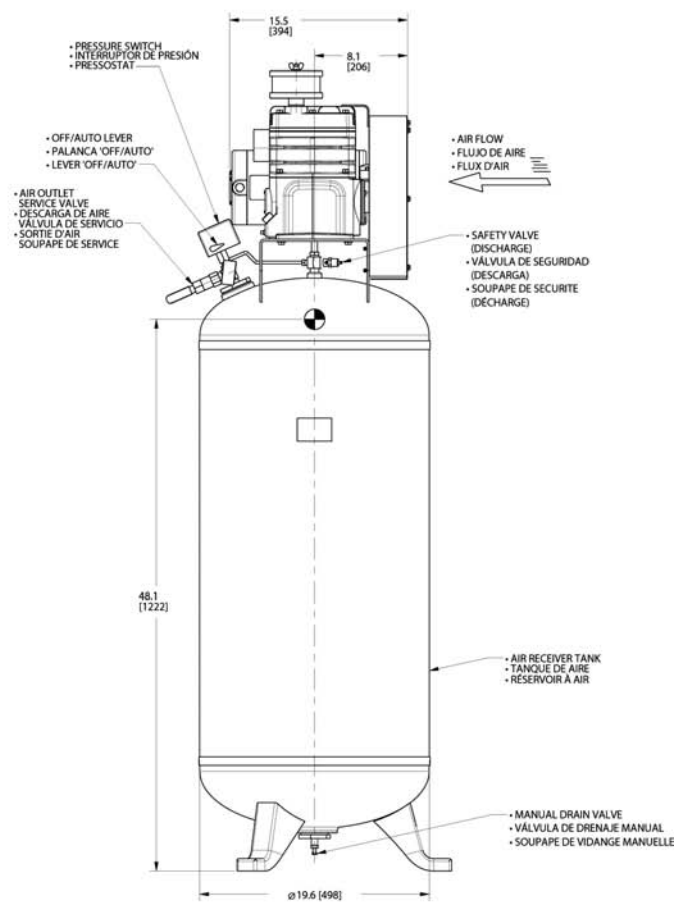
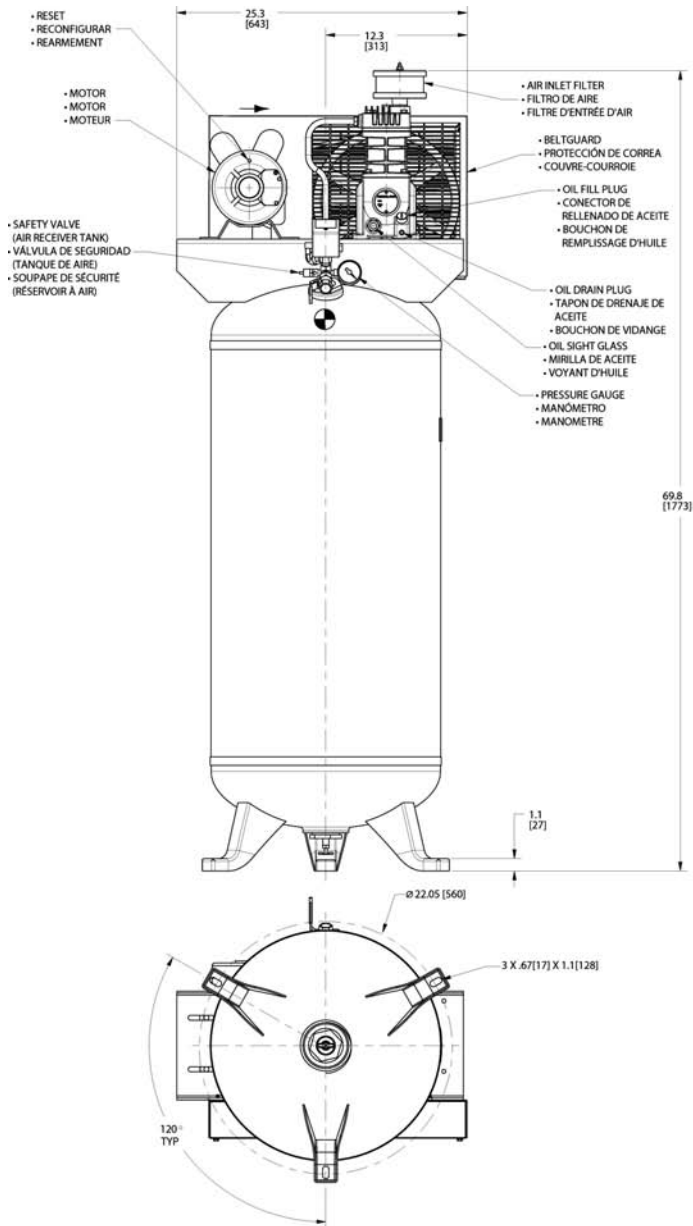
**Air à haute pression. Les réservoirs rouillés peuvent provoquer une explosion et causer des blessures graves ou la mort. Récepteur sous pression. L'opérateur doit détendre la pression du réservoir avant d'effectuer l'entretien. Actionner le drain manuel quotidiennement ou après chaque utilisation. Le robinet de drain manuel  est situé en bas du réservoir.**

23482383-A

# INSTALACIÓN

## General Arrangement

ES





## ■ Selección de una ubicación

### ■ Generalidades

Seleccione un área interior bien iluminada con bastante espacio para permitir una ventilación, accesibilidad y un flujo de aire de enfriamiento adecuados. Ubique el compresor a una distancia de por lo menos 12 pulgadas (30 cm) de las paredes y asegúrese de que la alimentación principal está claramente identificada y accesible.

### ■ Temperatura

Las temperaturas de operación ideales fluctúan entre los 32°F y los 100°F (0°C y 37,8°C). Si las temperaturas bajan sistemáticamente a menos de 32°F (0°C), ubique la unidad dentro de un edificio calentado. Si no es posible, se debe proteger las válvulas de desahogo/seguridad y de drenaje contra el congelamiento.

### AVISO

- **No haga funcionar el compresor a temperaturas inferiores a 20°F (-6,6°C) o superiores a los 120°F (48,9°C).**

### ■ Áreas húmedas

En áreas frecuentemente húmedas, se puede acumular humedad en la bomba y producir sedimentos en el lubricante. Esto causará el desgaste prematuro de las piezas móviles. El exceso de humedad tiene muchas probabilidades de producirse si el compresor está ubicado en un área sin calefacción sujeta a grandes cambios de temperatura. Dos signos de exceso de humedad son la condensación externa en el compresor cuando éste se enfría y una apariencia "lechosa" del lubricante de petróleo. Evite que se acumule humedad en la bomba aumentando la ventilación, operando la máquina durante períodos más prolongados o instalando calefactores en el cárter.

### ■ Consideraciones sobre el ruido

Consulte a las autoridades locales sobre los niveles aceptables de ruido en su área. Para reducir el exceso de ruido, use silenciadores en la admisión o almohadillas aislantes de la vibración, ubique el compresor en otro lugar o construya recintos totalmente cerrados o paredes acústicas.

## ■ Instalación permanente

# CAUTION

THIS UNIT MUST BE INSTALLED ON A LEVEL FLOOR AND TANK FEET MUST BE SHIMMED PER THE OWNERS MANUAL.

**DO NOT OPERATE THE UNIT ON THE SHIPPING SKID.**

1076213296

### PRECAUCIÓN

- Quite el compresor del patín antes de ensamblarlo. Refiérase a la sección de RECIBO E INSPECCIÓN de este manual para la información sobre izaje o manejo del compresor.

### AVISO

- Los códigos locales pueden estipular requisitos específicos de montaje, incluyendo, sin restricción, el uso de montajes o cojincillos aislantes de vibración. Los kits de ensamblado que incluyen montaje de aislamiento de vibración o cojincillos se pueden ordenar a través de su distribuidor Ingersoll Rand si no están incluidos con el compresor. Consulte a su distribuidor local de Ingersoll Rand para obtener más información.
- Asegure el compresor a una superficie de montaje sólida, plana y nivelada.
- Si los montajes o cojincillos aislantes de vibración están incluidos con su compresor, se deben instalar adecuadamente. El no instalar el compresor usando los montajes o cojincillos aislantes de vibración proporcionados con el compresor y de acuerdo con las instrucciones de instalación puede dar como resultado una falla mecánica en el compresor y la cancelación de la cobertura de garantía.
- No instale el compresor en rayos I, sistemas de pisos con rejillas abiertas o superficies que no sean sólidas.
- Ingersoll Rand no asumirá responsabilidad alguna por equipo que esté instalado en montajes o cojincillos aislantes de vibración no aprobados ni superficies que no sean sólidas.

Para ensamblar el compresor sobre una superficie de concreto, use el siguiente procedimiento:

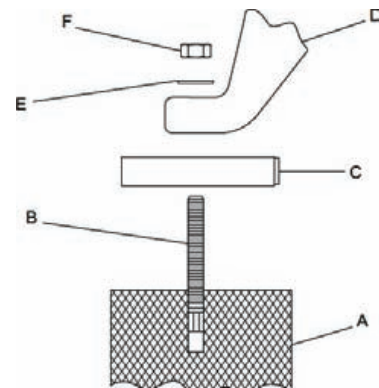
1. Marque la ubicación de los orificios de montaje.

2. Perfore orificios de 2-1/4" de profundidad usando una broca para concreto 1/2".

### AVISO

- **Puede ser útil usar un pedazo de cinta en la broca para marcar la profundidad adecuada.**
3. Perfore un orificio a través del centro de cada cojincillo aislante (si se suministra o lo obligan los códigos locales).
  4. Impulse las anclas hacia los orificios de montaje con la parte de rosca hacia arriba.
  5. Coloque los cojincillos aislantes sobre las anclas como se muestra en la siguiente ilustración.
  6. Coloque el compresor sobre los orificios perforados y baje lentamente las patas del compresor sobre los orificios.
  7. Instale los pernos de cimentación.
  8. Instale las tuercas y aplique un torque a cada una en un patrón cruzado de 10 pies libra.

### Instalación permanente



A = Superficie de montaje

B = Perno de cemento / ancla

C = Cojincillo aislante (si se suministra o lo requieren los códigos locales)

D = Pata de montaje del compresor

E = Arandela

F = Tuerca

Después de instalar las tuercas de montaje, verifique la tensión del receptor al aflojar cada tuerca individualmente para revisar el movimiento hacia arriba de cada pata. El movimiento hacia arriba indica que se requiere una cuña de metal del tamaño adecuado que llene la elevación abierta bajo la pata. Una vez que se hayan insertado las cuñas necesarias, vuelva a ajustar las tuercas a 10 pies libra.

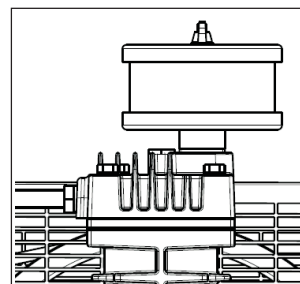
## ■ Conexiones de entrada de aire

### PRECAUCIÓN

- **No haga funcionar el compresor sin un filtro de entrada de aire.**

Si el aire alrededor del compresor es relativamente limpio, instale el filtro de entrada de aire en la conexión de entrada de la bomba. Si se requiere tubería de entrada de aire remota o para filtración pesada, comuníquese con su distribuidor para más información.

### Filtro de entrada de aire



## ■ Instalación de tubería de descarga

Para la instalación de la tubería de descarga de aire o de líquido condensado, observe las siguientes recomendaciones. Comuníquese con su distribuidor para más información.

### ⚠ ADVERTENCIA

- No use tubería plástica, accesorios de cobre soldados, manguera de caucho o uniones soldadas con plomo-estaño en cualquier parte del sistema de aire comprimido.
- Si se añade un posefriador, válvula de retención, válvula de bloqueo o cualquier otra restricción a la descarga del compresor, debe instalarse una válvula de seguridad adecuadamente dimensionada y aprobada por ASME entre la descarga del compresor y la restricción.

### ⚠ PRECAUCIÓN

- Si usa el lubricante sintético Ingersoll Rand para compresores, todo el material de la tubería descendente y los componentes del sistema deben ser compatibles. Consulte la lista de compatibilidad de materiales que se indica a continuación. Si en su sistema hay materiales incompatibles o materiales no incluidos en la lista, comuníquese con su Distribuidor o llame al 1-800-AIR-SERV.

#### Adecuados:

Viton®, Teflon®, epoxia (relleno con vidrio), alquid resistente al aceite, fluorosilicona, fluorocarbono, polisulfuro, uretano de dos componentes, nilón, Delrin®, Celcon®, goma con alto contenido de nitrilo (Buna N. NBR con más de un 36% de acrilonitrilo), poliuretano, polietileno, epiclorhidrina, poliacrilato, melamina, polipropileno, fendólicos secados, epoxias, alquidos modificados  
(\* indica una marca registrada de DuPont Corporation)

#### No recomendados:

Neoprén, goma natural, goma SBR, pintura acrílica, laca, barniz, poliestireno, PVC, ABS, policarbonatos, acetato de celulosa, goma con bajo contenido de nitrilo (BUNA N. NBR con menos de un 36% de acrilonitrilo), EPDM, acetato de vinilo etileno, látex, EPR, acrílicos, fenoxi, polisulfones, acrilonitrilo estireno (San), butilo

## ■ Requisitos generales

Las tuberías, accesorios, estanque del recibidor, etc. deben tener seguridad certificada para al menos la presión de trabajo de la unidad. Use acero roscado o soldadura dura o conductos de cobre y accesorios de hierro fundido que tiene seguridad certificada para la presión y temperatura de descarga del compresor.. NO USE PLÁSTICO DE PVC. Use sellante de roscas de tubos en todas las roscas y junte estrechamente las uniones para evitar fugas de aire.

## ■ Tubería de descarga de líquido condensado

Caso de que si instala un tubo de descarga de líquido condensado, el tubo debe tener un tamaño más grande que la conexión, y debe ser tan corta y directa como sea posible y debe estar adecuadamente encaminada al punto de colección. Se debe desechar el líquido condensado en conformidad con las leyes y normativas locales, federales y estatales.

### AVISO

- Todos los sistemas de aire comprimido producen líquido condensado que acumula en todos los puntos de drenaje (por ejemplo, tanques, filtros, tubos de goteo, posefrigeradores, secadores, etc). Esto líquido condensado contiene aceite lubricante y/o otras materias que deben ser desechadas en conformidad con las leyes y normativas locales, federales y estatales.

## ■ Cableado eléctrico

### ⚠ ADVERTENCIA

- La instalación y el servicio eléctrico deben ser realizados por un electricista calificado que esté familiarizado con todas las leyes y normativas locales, estatales y federales correspondientes.

### AVISO

- Este compresor debe ser conectado a un sistema de cableado permanente, metálico, de conexión a tierra o a un terminal de conexión a tierra o un conductor de conexión a tierra del compresor.

## ■ Generalidades

La capacidad nominal del motor indicada en la placa del motor y la fuente de energía deben tener características compatibles de voltaje, fase y hertzios.

## ■ Diámetro del cable

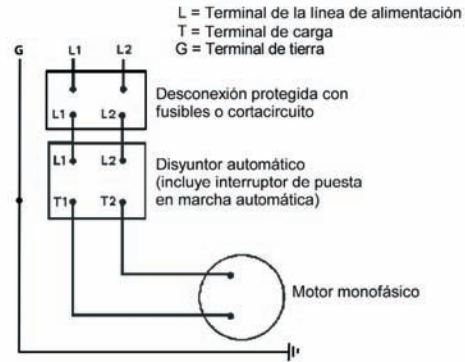
El cableado eléctrico entre la fuente de energía y el motor eléctrico varía de acuerdo con los caballos de fuerza del motor. Los conductores de energía deben tener el diámetro adecuado para garantizar protección contra una caída extrema del voltaje durante el arranque. El motor debe incluir información para

seleccionar el diámetro de cable adecuado y para fijar las conexiones. Otramente, consulte al Código eléctrico nacional (NEC) o las regulaciones municipales, estatales y federales aplicables. Si se conectan otros equipos eléctricos al mismo circuito, debe considerarse la carga eléctrica total durante la selección de los tamaños apropiados de cable.. NO USE CABLES DE DIÁMETRO INSUFICIENTE.

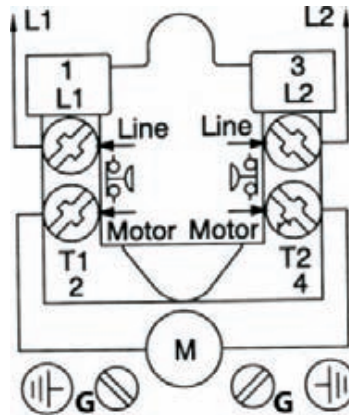
## ■ Fusibles

Consulte el Código Eléctrico Nacional para determinar la capacidad adecuada de los fusibles e interruptores automáticos que se requieren. Al seleccionar los fusibles, recuerde que la corriente de arranque momentánea de un motor eléctrico es mayor que su corriente a plena carga. Se recomiendan fusibles temporizados o de acción retardada.

### Cableado monofásico



### Interruptor de presión



## ■ Lubricación del compresor

### NOTICE

#### ADD OIL FIRST!

- This compressor pump is shipped without oil.
- Do not operate without lubricant or with inadequate lubricant.
- Do not use engine oil in the compressor pump.
- Ingersoll-Rand is not responsible for equipment failure caused by inadequate or incorrect lubrication.
- Refer to the compressor owner's manual for compressor lubricant recommendations.
- Install properly
- Check for adequate electrical supply
- Contact certified electrician
- Consult instruction manual

### AVISO

#### PRIMERO, LLENAR DE ACEITE!

- Se entrega esta bomba de compresor sin aceite.
- No hacer funcionar sin aceite ni con aceite inadecuado.
- No poner aceite de motor en la bomba del compresor.
- Ingersoll-Rand no será responsable por fallas en el equipo debidas a lubricación inadecuada o incorrecta.
- Consultar el manual del compresor en cuanto a la lubricación recomendada.
- Instalar correctamente
- Verificar que la alimentación eléctrica sea adecuada
- Consultar un electricista certificado
- Referirse al manual de instrucciones

### NOTICE

### AVIS

#### AJOUTEZ D'ABORD DE L'HUILE!

- Cette pompe de compresseur est livrée sans huile.
- Ne mettez pas en marche sans lubrifiant ou avec un lubrifiant non approprié.
- N'utilisez pas d'huile de moteur dans la pompe de compresseur.
- Ingersoll-Rand décline toute responsabilité pour les pannes d'équipement causées par une lubrification insuffisante ou incorrecte.
- Reportez-vous au mode d'emploi du compresseur pour les recommandations concernant le lubrifiant du compresseur.
- Installez correctement
- Vérifiez que l'alimentation électrique est adéquate
- Contactez un électricien certifié
- Consultez le manuel d'instructions

**AVISO**

- **No haga funcionar el compresor sin lubricante o con un lubricante inadecuado. Ingersoll Rand no se hace responsable en caso de fallas del compresor causadas por una lubricación inadecuada.**

**Lubricante sintético**

Se recomienda usar el Lubricante sintético **Ingersoll Rand** para compresores desde el inicio de las operaciones. Consulte la sección de GARANTÍA para obtener información respecto a la garantía ampliada.

**Otros lubricantes**

Puede usar un lubricante basado en petróleo que sea de primera calidad, que no contenga detergentes, que contenga sólo agentes anticorrosivos, antioxidantes y antiespumantes como aditivos, con una temperatura de desprendimiento de gases explosivos de 440°F (227°C) o superior y un punto de autoencendido de 650°F (343°C) o superior..

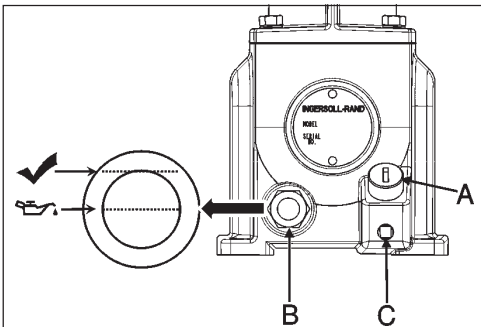
Consulte la tabla de viscosidad del lubricante de petróleo a continuación. La tabla pretende servir sólo como guía general. Las condiciones de operación de trabajos pesados requieren una mayor viscosidad. Para obtener más recomendaciones, consulte a su Distribuidor sobre sus condiciones de operación específicas.

| Temperatura alrededor del compresor |                | Viscosidad a 100°F (37,8°C) |             | Grado de viscosidad |     |
|-------------------------------------|----------------|-----------------------------|-------------|---------------------|-----|
| °F                                  | °C             | SUS                         | Centistokes | ISO                 | SAE |
| 40 & inferior                       | 4,4 y inferior | 150                         | 32          | 32                  | 10  |
| 40 - 80                             | 4,4 - 26,7     | 500                         | 110         | 100                 | 30  |
| 80 - 125                            | 26,7 - 51,0    | 750                         | 165         | 150                 | 40  |

Si usa un lubricante basado en petróleo para el compresor al comenzar la operación y luego decide cambiarse al Lubricante sintético **Ingersoll Rand** para compresores, se debe completamente descarbonizar las válvulas del compresor y lavar abundantemente el cárter antes de la conversión.

**Procedimientos de llenado**

1. Destornille y saque el tapón de llenado de aceite (A).
2. Llene el cárter de aceite lentamente con lubricante hasta el lubricante llega a la rosca superior de la apertura de llenado de aceite y la parte superior de la ventanilla de nivel (B). La capacidad del cárter es una (1) pinta (0,5 L).
3. Vuelva a poner el tapón del aceite y APRIETE ÚNICAMENTE A MANO.

**Procedimientos de llenado****OPERACIÓN****Generalidades**

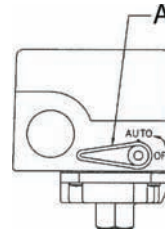
El compresor fue diseñado para funcionar a un régimen continuo de 100% con el uso el lubricante sintético **Ingersoll Rand** para compresores y un régimen continuo de 60% con el uso de otros lubricantes de petróleo. O sea, el uso de un lubricante sintético permite al compresor de bombear continuamente sin ciclación. Un lubricante de petróleo limita al compresor de funcionar un máximo de 36 minutos de tiempo de bombeo por hora. El compresor no debe ciclar más de 10 veces por hora.

**Arranque inicial****Interruptor De Presión:**

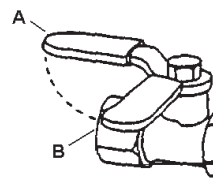
El interruptor de presión se preestablece en la presión requerida. Los ajustes de la gama y del diferencial **NO SON** ajustables. El interruptor de presión no se debe tratar de forzar con de ninguna manera y ninguna tentativa no se debe hacer para ajustar los ajustes de la presión pues ésta podría dañar el interruptor al punto de la falta y/o anular cualquier garantía para el interruptor de presión.

Observe este procedimiento para poner la unidad en servicio por primera vez:

1. Ponga la palanca del disyuntor neumático (A) en la posición "OFF".

**Palanca del disyuntor neumático**

2. Abra la válvula de servicio completamente para prevenir la presión de aire de aumentarse en el tanque receptor. (A=Abierta, B=Cerrada).

**Válvula de servicio**

3. Ponga la palanca del disyuntor neumático en "ON/AUTO". La unidad se arranque.
4. Opere la unidad por 30 minutos. Asegúrese de que la válvula de servicio está completamente abierta y que no hay acumulación de presión dentro del tanque receptor.

**ADVERTENCIA**

- **Los ruidos o vibraciones poco comunes indican que hay un problema. No continúe con la operación hasta después de identificar y solucionar la causa del problema. EN CASE DE CONDICIONES DE EMERGENCIA, APAGUE INMEDIATAMENTE LA ALIMENTACIÓN PRINCIPAL.**
5. Después de 30 minutos, cierre la válvula de servicio completamente. El tanque receptor de aire se llena hasta la presión de corte y el motor se para. La unidad está lista para operación.

**Arranque normal**

1. Ponga la palanca del disyuntor neumático en la posición "OFF".
2. Cierre la válvula de servicio.
3. Conecte el tubo y los accesorios.
4. Ponga la palanca del disyuntor neumático en "ON/AUTO". La unidad se arranque.
5. Permite que la presión del tanque receptor aumenta. El motor se para cuando la presión del tanque receptor se llenará a la presión de corte.
6. Abra la válvula de servicio. La unidad está lista para operación.

**AVISO**

- **Cuando la presión del tanque receptor baja a menos del mínimo preestablecido en la fábrica, el disyuntor neumático se ponga a cero y rearranque la unidad.**

**Cuando haya terminado**

1. Ponga la palanca del disyuntor neumático en la posición "OFF".
2. Cierre la válvula de servicio completamente.
3. Saque la herramienta neumática o los accesorios.
4. Lentamente abra la válvula de servicio para purgar la presión de aire a 20 psig.
5. Lentamente abra la válvula de drenaje manual al fondo del tanque receptor para drenar todo el condensado (agua).
6. Cierre la válvula de drenaje y la válvula de servicio para su uso futuro.

## MANTENIMIENTO

### ADVERTENCIA

- Antes de realizar actividades de mantenimiento, desconecte, bloquee y ponga las etiquetas correspondientes en la fuente principal de energía y libere la presión de aire del sistema.

### AVISO

- Todos los sistemas de aire comprimido contienen componentes sujetos a mantenimiento (por ejemplo, aceite lubricante, filtros, separadores) que deben reemplazarse periódicamente. Estos componentes gastados pueden o no contener sustancias reguladas y se deben desechar en conformidad con las leyes y normativas locales, federales y estatales.
- Tome nota de las posiciones y ubicaciones de piezas durante el desmontaje para facilitar el reensamblaje. Las secuencias del montaje y las piezas ilustradas pueden diferir por su unidad particular.
- Cualquier operación de servicio que no se incluya en esta sección debe ser ejecutada por un representante autorizado.

### PROGRAMA DE MANTENIMIENTO DE RUTINA

#### Diariamente o antes de cada operación

- Revise el nivel del lubricante. Rellene según sea necesario.
- Drene el líquido condensado del tanque receptor. Abra la válvula de drenaje manual, recoja y disponga del líquido condensado según corresponda.
- Verifique si hay vibraciones y ruidos inusuales
- Asegúrese de que los guardabandas y las cubiertas estén bien sujetos en su lugar.
- Asegúrese de que el área alrededor del compresor esté libre de trapos, herramientas, escombros y materiales inflamables o explosivos.

#### Semanalmente

- Revise el elemento del filtro de aire. Limpie o reemplace si necesario.

#### Mensualmente

- Verifique si hay fugas de aire. Ponga agua jabonosa alrededor de las juntas mientras el compresor está funcionando y observe si se producen burbujas.
- Revise el apriete de los tornillos y pernos. Vuelva a apretar si es necesario.
- Limpie el exterior.

3/500 \*

- Cambie el elemento de petróleo mientras el cárter esté tibio.

12/2000 \*

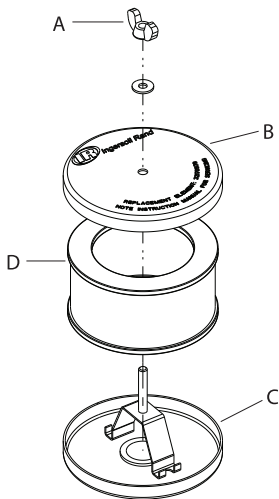
- Cambie el lubricante sintético mientras el cárter esté tibio.
- Reemplace el elemento de filtro.

\* indica meses/horas de operación, lo que ocurra primero.

### Recambio del filtro

1. Destornille y saque la tuerca de mariposa (A) que fija la caja del filtro (B) a su base (C).
2. Saque la caja del filtro y saque el elemento de filtro antiguo (D). Limpie el elemento con un chorro de aire o un aspirador.
3. Reinstale el elemento de filtro y la caja apretando la tuerca de mariposa.

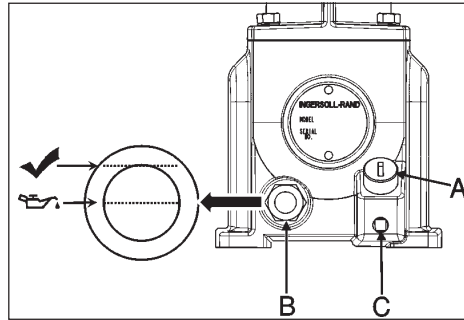
#### Recambio del filtro



### Cambio de aceite

1. Saque el tapón de drenaje de aceite (C) y deje que el lubricante se drene en un contenedor adecuado.
2. Vuelva a poner el tapón de drenaje de aceite.
3. Siga los procedimientos de llenado en la sección de OPERACIÓN.

#### Cambio de aceite



### Ajuste de la correa

#### Comprobación de la tensión de la correa

Compruebe la tensión de la correa, especialmente si aflojamiento está sospechado. Se puede hacer una comprobación rápida para determinar si el ajuste es apropiado, observando si hay un leve arco en el lado flojo de la correa cuando la unidad está en operación. Si hay un leve arco, por lo común la correa está satisfactoriamente ajustada.

#### Tensado de correas

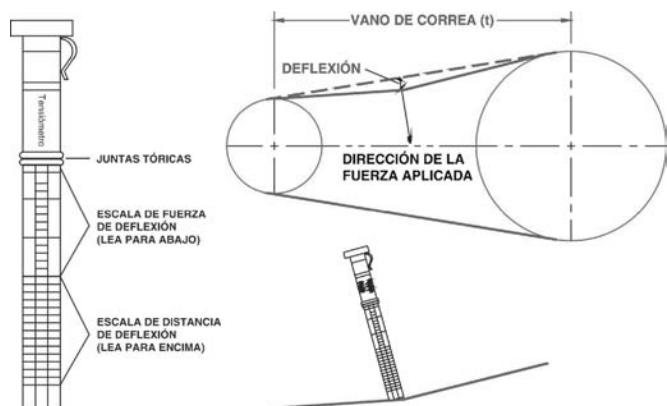
El tensado de la correa se puede lograr mediante el aflojamiento de los tornillos de anclaje del motor, alejando el motor de la bomba y volviendo a apretar los tornillos de anclaje del motor. El motor se puede mover fácilmente colocando bajo él una herramienta de palanca. Si es necesario el tensado, también puede ser útil un separador comercial u otro dispositivo de tensado de correas.

Sigue los procedimientos a continuación para fijar y medir la tensión de la correa correctamente.

1. Apoye un borde recto en la superficie exterior superior de la transmisión de la correa, desde la polea a la roldana.
2. Al centro del tramo, en forma perpendicular a la correa, aplique la presión a la superficie exterior de la correa con un medidor de tensión. Fuerce la correa hasta la flexión que aparece en la tabla de la derecha. Compare la lectura del medidor de tensión con la siguiente tabla.

| Flexión en pulgadas | Tensión mín. (lbs.) | Tensión máx. (lbs.) |
|---------------------|---------------------|---------------------|
| 0,17                | 3,0                 | 6,0                 |

#### Tensado de correas



Antes de volver a poner en marcha el compresor, compruebe que la polea y la roldana estén adecuadamente alineadas y que los tornillos de anclaje del motor se vuelvan a apretar adecuadamente.

### AVISO

- La alineación inadecuada de la polea y la roldana y la tensión inadecuada de la correa puede tener como resultado sobrecarga del motor, exceso de vibración y falla prematura de la correa y/o el

**rodamiento. Para evitar estos problemas, compruebe que la polea y la roldana estén alineadas y que la tensión de la correa sea satisfactoria después de instalar correas nuevas o de tensar correas existentes.**

## ■ Inspección del tanque receptor

La vida útil de un estanque receptor de aire depende de varios factores incluyendo, entre otras cosas, condiciones operativas, ambientes y nivel de mantenimiento. El efecto preciso de estos factores sobre la vida útil del estanque es difícil de predecir; por lo tanto, **Ingersoll Rand** le recomienda programar una inspección certificada del estanque durante los primeros cinco años de uso del compresor. Para disponer la inspección de un estanque, comuníquese con I-R Air Center o con su distribuidor más cercano o llame al 1-800-AIR SERV.

Si el estanque no se ha inspeccionado dentro de los primeros 10 años de uso del compresor, se debe dejar inoperativo hasta que haya pasado la inspección. Los estanques que no cumplen con los requisitos deben ser reemplazados.

### ADVERTENCIA

- **El no reemplazar un estanque receptor de aire oxidado puede tener como resultado la ruptura o explosión del dicho estanque, lo que podría provocar importantes daños a la propiedad y graves lesiones a las personas o incluso la muerte. Nunca ni modifique ni repare el estanque. Consiga su reemplazo en el centro de servicio técnico.**

## LOCALIZACIÓN DE FALLAS

| PROBLEMA  | CAUSA POSIBLE  | SOLUCIÓN POSIBLE   |
|---|--|--|
| Desgaste anormal del cilindro, anillo o pistón                          | <ol style="list-style-type: none"> <li>Lubricante poco viscoso.</li> <li>Muy poco lubricante.</li> <li>Se está usando lubricante tipo detergente.</li> <li>Cilindros o pistones rayados, gastados o cortados.</li> <li>Atmósfera extremadamente polvorienta.</li> <li>Capa superficial del cilindro desgastada.</li> </ol>   | <ol style="list-style-type: none"> <li>Drene el lubricante y vuelva a llenar con uno adecuado.</li> <li>Agregue lubricante al cárter hasta el nivel adecuado.</li> <li>Drene el lubricante y vuelva a llenar con uno adecuado.</li> <li>Repáre o reemplace según sea necesario.</li> <li>Instale tubería y acceso de aire remoto a una fuente de aire más limpio. Instale un filtro más eficaz.</li> <li>Limpie el cilindro con flex-hone de 180 gránulos.</li> </ol>  |
| La entrega de aire disminuye  | <ol style="list-style-type: none"> <li>Entrada y/o filtro del tubo de descarga sucio o atascado.</li> <li>Filtraciones de aire en la tubería de descarga de aire.</li> <li>Lubricante demasiado viscoso.</li> <li>Válvulas del compresor rotas, carbonizadas, sueltas o con filtraciones.</li> <li>Anillos del pistón dañados o gastados (rotos, rugosos o rayados). Espacio final o separación lateral excesiva.</li> <li>Los anillos del pistón no están asentados, están pegados a las ranuras o los espacios finales no están escalonados.</li> <li>Cilindros o pistones rayados, gastados o cortados.</li> <li>Válvula de seguridad/descarga defectuosa.</li> </ol> | <ol style="list-style-type: none"> <li>Limpie o reemplace.</li> <li>Revise la tubería y las conexiones.</li> <li>Drene el lubricante y vuelva a llenar con uno adecuado.</li> <li>Inspeccione las válvulas. Limpie o reemplace según sea necesario. Instale el Juego de válvulas.</li> <li>Instale el Juego de anillos.</li> <li>Ajuste los anillos del pistón.</li> <li>Repáre o reemplace según sea necesario.</li> <li>Reemplace.</li> </ol>  |
| El compresor no llega a la velocidad deseada                            | <ol style="list-style-type: none"> <li>Rueda de la banda o polea del motor de partida sueltas, juego excesivo en el eje del motor o bandas de la transmisión sueltas.</li> <li>Lubricante demasiado viscoso.</li> <li>Voltaje de línea incorrecta.</li> <li>Válvulas del compresor rotas, carbonizadas, sueltas o con filtraciones.</li> <li>Cojinetes de bolas defectuosos en el cigüeñal o eje del motor de partida.</li> </ol>  | <ol style="list-style-type: none"> <li>Revise la tensión y alineación de la rueda de la banda, polea del motor de partida, cigüeñal, y banda de transmisión. Repáre o reemplace según sea necesario.</li> <li>Drene el lubricante y vuelva a llenar con uno adecuado.</li> <li>Revise el voltaje de línea y mejore según necesario. Comuníquese con un electricista.</li> <li>Inspeccione las válvulas. Limpie o reemplace según sea necesario. Instale el Juego de válvulas.</li> <li>Inspeccione los cojinetes y reemplace el ensamblaje del cigüeñal si es necesario.</li> </ol>  |
| El compresor tarda en llegar a la velocidad deseada                     | <ol style="list-style-type: none"> <li>Lubricante demasiado viscoso.</li> <li>Válvula de retención con filtraciones o asiento de la válvula fundido.</li> <li>Temperatura ambiente demasiado baja.</li> <li>Motor dañado.</li> </ol>   | <ol style="list-style-type: none"> <li>Drene el lubricante y vuelva a llenar con uno adecuado.</li> <li>Reemplace la válvula de retención.</li> <li>Ubique el compresor en un ambiente más cálido. Instale juego calefactor del cárter.</li> <li>Reemplace.</li> </ol>   |
| El compresor se vuelve excesivamente caliente durante el funcionamiento | <ol style="list-style-type: none"> <li>Ventilación inadecuada en la rueda de la banda.</li> <li>Bandas de transmisión muy apretadas o mal alineadas.</li> <li>Válvulas del compresor rotas, carbonizadas, sueltas o con filtraciones.</li> <li>Sentido erróneo de rotación de la rueda de banda.</li> </ol>  | <ol style="list-style-type: none"> <li>Ubique el compresor en una posición con mejor ventilación.</li> <li>Ajuste las bandas a la tensión y alineación adecuadas.</li> <li>Inspeccione las válvulas. Limpie o reemplace según sea necesario. Instale el Juego de válvulas.</li> <li>Revise el cableado del motor para conexiones adecuadas. Invierte dos conductores de motores trifásicos.</li> </ol>   |
| Ruido excesivo durante la operación                                     | <ol style="list-style-type: none"> <li>Rueda de la banda o polea del motor de partida sueltas, juego excesivo en el eje del motor o bandas de la transmisión sueltas.</li> <li>Lubricante demasiado viscoso.</li> <li>Muy poco lubricante.</li> <li>Válvulas del compresor rotas, carbonizadas, sueltas o con filtraciones.</li> <li>Acumulación de carbono sobre el o los pistones.</li> <li>Cojinetes de bolas defectuosos en el cigüeñal o eje del motor de partida.</li> <li>Válvula de retención con filtraciones o asiento de la válvula fundido.</li> </ol>   | <ol style="list-style-type: none"> <li>Revise la tensión y alineación de la rueda de la banda, polea del motor de partida, cigüeñal, y banda de transmisión. Repáre o reemplace según sea necesario.</li> <li>Drene el lubricante y vuelva a llenar con uno adecuado.</li> <li>Agregue lubricante al cárter hasta el nivel adecuado.</li> <li>Inspeccione las válvulas. Limpie o reemplace según sea necesario. Instale el Juego de válvulas.</li> <li>Limpie el o los pistones. Repáre o reemplace según sea necesario.</li> <li>Inspeccione los cojinetes y reemplace el ensamblaje del cigüeñal si es necesario.</li> <li>Reemplace la válvula de retención.</li> </ol> |

| PROBLEMA  | CAUSA POSIBLE   | SOLUCIÓN POSIBLE   |
|---|---|--|
| Demasiadas partidas y paradas   | <ol style="list-style-type: none"> <li>1. Filtraciones de aire en la tubería de descarga de aire.</li> <li>2. Válvula de retención con filtraciones o asiento de la válvula fundido.</li> <li>3. Condensación excesiva en tanque receptor.</li> </ol>   | <ol style="list-style-type: none"> <li>1. Revise la tubería y las conexiones.</li> <li>2. Reemplace la válvula de retención.</li> <li>3. Drene el tanque receptor con la válvula de drenaje manual.</li> </ol>   |
| Consumo alto de aceite  | <ol style="list-style-type: none"> <li>1. Entrada y/o filtro del tubo de descarga sucio o atascado.</li> <li>2. Lubricante poco viscoso.</li> <li>3. Se está usando lubricante tipo detergente.</li> <li>4. Anillos del pistón dañados o gastados (rotos, rugosos o rayados). Espacio final o separación lateral excesiva.</li> <li>5. Los anillos del pistón no están asentados, están pegados a las ranuras o los espacios finales no están escalonados.</li> <li>6. Cilindros o pistones rayados, gastados o cortados.</li> <li>7. Cojinetes de la varilla de unión, pasador del pistón o del muñón gastados o cortados.</li> <li>8. Retén del cigüeñal gastado o cigüeñal cortado.</li> <li>9. Capa superficial del cilindro desgastada.</li> </ol> | <ol style="list-style-type: none"> <li>1. Limpie o reemplace.</li> <li>2. Drene el lubricante y vuelva a llenar con uno adecuado.</li> <li>3. Drene el lubricante y vuelva a llenar con uno adecuado.</li> <li>4. Instale el Juego de anillos.</li> <li>5. Ajuste los anillos del pistón.</li> <li>6. Repare o reemplace según sea necesario.</li> <li>7. Inspeccione todo. Repare o reemplace según sea necesario.</li> <li>8. Reemplace el retén o ensamblaje del cigüeñal.</li> <li>9. Limpie el cilindro con flex-hone de 180 granulos.</li> </ol>   |
| Golpea o tintinea   | <ol style="list-style-type: none"> <li>1. Rueda de la banda o polea del motor de partida sueltas, juego excesivo en el eje del motor o bandas de la transmisión sueltas.</li> <li>2. Válvulas del compresor rotas, carbonizadas, sueltas o con filtraciones.</li> <li>3. Acumulación de carbono sobre el o los pistones.</li> <li>4. Cilindros o pistones rayados, gastados o cortados.</li> <li>5. Cojinetes de la varilla de unión, pasador del pistón o del muñón gastados o cortados.</li> <li>6. Cojinetes de bolas defectuosos en el cigüeñal o eje del motor de partida.</li> </ol>  | <ol style="list-style-type: none"> <li>1. Revise la tensión y alineación de la rueda de la banda, polea del motor de partida, cigüeñal, y banda de transmisión. Repare o reemplace según sea necesario.</li> <li>2. Inspeccione las válvulas. Limpie o reemplace según sea necesario. Instale el Juego de válvulas.</li> <li>3. Limpie el o los pistones. Repare o reemplace según sea necesario.</li> <li>4. Repare o reemplace según sea necesario.</li> <li>5. Inspeccione todo. Repare o reemplace según sea necesario.</li> <li>6. Inspeccione los cojinetes y reemplace el ensamblaje del cigüeñal si es necesario.</li> </ol> |
| Lámparas destellantes o débiles durante la operación  | <ol style="list-style-type: none"> <li>1. Voltaje de línea incorrecta.</li> <li>2. Cableado o panel de servicio demasiado pequeño.</li> <li>3. Contacto incorrecto de los terminales del motor o conexiones del arrancador.</li> <li>4. Calefactores incorrectos de sobrecarga del arrancador.</li> <li>5. Deficiente regulación de la potencia (línea desbalanceada).</li> </ol>   | <ol style="list-style-type: none"> <li>1. Revise el voltaje de línea y mejore según necesario. Comuníquese con un electricista.</li> <li>2. Instale cableado o caja de servicio correctamente dimensionado. Comuníquese con un electricista.</li> <li>3. Provee buen contacto de los terminales del motor o conexiones del arrancador.</li> <li>4. Instale calefactores correctos de sobrecarga del arrancador. Comuníquese con un electricista.</li> <li>5. Consulte a la compañía eléctrica.</li> </ol>  |
| Humedad en el cárter o apariencia "lechosa" en el lubricante de petróleo o herrumbre en los cilindros | <ol style="list-style-type: none"> <li>1. Se está usando lubricante tipo detergente.</li> <li>2. Ciclos de operación muy cortos.</li> <li>3. Compresor ubicado en área húmeda o mojada.</li> </ol>  | <ol style="list-style-type: none"> <li>1. Drene el lubricante y vuelva a llenar con uno adecuado.</li> <li>2. Opere el compresor con ciclos de operación más largos.</li> <li>3. Ubique el compresor en otra parte.</li> </ol>   |

| PROBLEMA   | CAUSA POSIBLE   | SOLUCIÓN POSIBLE  |
|--|---|---|
| Sobrecarga del motor se desconecta o consume corriente excesivo. | <ol style="list-style-type: none"> <li>Lubricante demasiado viscoso.</li> <li>Voltaje de línea incorrecta.</li> <li>Cableado o panel de servicio demasiado pequeño.</li> <li>Contacto incorrecto de los terminales del motor o conexiones del arrancador.</li> <li>Calefactores incorrectos de sobrecarga del arrancador.</li> <li>14. Deficiente regulación de la potencia (línea desbalanceada).</li> <li>Bandas de transmisión muy apretadas o mal alineadas.</li> <li>Válvulas del compresor rotas, carbonizadas, sueltas o con filtraciones.</li> <li>Cilindros o pistones rayados, gastados o cortados.</li> <li>Cojinetes de la varilla de unión, pasador del pistón o del muñón gastados o cortados.</li> <li>Cojinetes de bolas defectuosos en el cigüeñal o eje del motor de partida.</li> <li>Válvula de retención con filtraciones o asiento de la válvula fundido.</li> <li>Temperatura ambiente demasiado baja.</li> <li>Motor dañado.</li> </ol> | <ol style="list-style-type: none"> <li>Drene el lubricante y vuelva a llenar con uno adecuado.</li> <li>Revise el voltaje de línea y mejore según necesario. Comuníquese con un electricista.</li> <li>Instale cableado o caja de servicio correctamente dimensionado. Comuníquese con un electricista.</li> <li>Provee buen contacto de los terminales del motor o conexiones del arrancador.</li> <li>Instale calefactores correctos de sobrecarga del arrancador. Comuníquese con un electricista.</li> <li>Consulte a la compañía eléctrica.</li> <li>Ajuste las bandas a la tensión y alineación adecuadas.</li> <li>Inspeccione las válvulas. Limpie o reemplace según sea necesario. Instale el Juego de válvulas.</li> <li>Repáre o reemplace según sea necesario.</li> <li>Inspeccione todo. Repáre o reemplace según sea necesario.</li> <li>Inspeccione los cojinetes y reemplace el ensamblaje del cigüeñal si es necesario.</li> <li>Reemplace la válvula de retención.</li> <li>Ubique el compresor en un ambiente más cálido. Instale juego calefactor del cárter. Convierta a lubricante sintético.</li> <li>Reemplace</li> </ol> |
| Motor no arranque  | <ol style="list-style-type: none"> <li>Voltaje de línea incorrecta.</li> <li>Cableado o panel de servicio demasiado pequeño.</li> <li>Contacto incorrecto de los terminales del motor o conexiones del arrancador.</li> <li>Calefactores incorrectos de sobrecarga del arrancador.</li> <li>Motor dañado.</li> </ol>  | <ol style="list-style-type: none"> <li>Revise el voltaje de línea y mejore según necesario. Comuníquese con un electricista.</li> <li>Instale cableado o caja de servicio correctamente dimensionado. Comuníquese con un electricista.</li> <li>Provee buen contacto de los terminales del motor o conexiones del arrancador.</li> <li>Instale calefactores correctos de sobrecarga del arrancador. Comuníquese con un electricista.</li> <li>Reemplace</li> </ol>  |
| Aceite en descarga de aire (bombeo de aceite)                    | <ol style="list-style-type: none"> <li>Lubricante poco viscoso.</li> <li>Se está usando lubricante tipo detergente.</li> <li>Anillos del pistón dañados o gastados (rotos, rugosos o rayados). Espacio final o separación lateral excesiva.</li> <li>Los anillos del pistón no están asentados, están pegados a las ranuras o los espacios finales no están escalonados.</li> <li>Cilindros o pistones rayados, gastados o cortados.</li> <li>Capa superficial del cilindro desgastada.</li> <li>Condensación excesiva en tanque receptor.</li> </ol>   | <ol style="list-style-type: none"> <li>Drene el lubricante y vuelva a llenar con uno adecuado.</li> <li>Drene el lubricante y vuelva a llenar con uno adecuado.</li> <li>Instale el Juego de anillos.</li> <li>Ajuste los anillos del pistón.</li> <li>Repáre o reemplace según sea necesario.</li> <li>Limpie el cilindro con flex-hone de 180 gránulos.</li> <li>Drene el tanque receptor con la válvula de drenaje manual.</li> </ol>  |
| Escape de aceite del retén del eje                               | <ol style="list-style-type: none"> <li>Retén del cigüeñal gastado o cigüeñal cortado.</li> </ol>  | <ol style="list-style-type: none"> <li>Reemplace el retén o ensamblaje del cigüeñal.</li> </ol>   |
| La válvula de seguridad/descarga "salta"                         | <ol style="list-style-type: none"> <li>Entrada y/o filtro del tubo de descarga sucio o atascado.</li> <li>Válvulas del compresor rotas, carbonizadas, sueltas o con filtraciones.</li> <li>Válvula de seguridad/descarga defectuosa.</li> </ol>   | <ol style="list-style-type: none"> <li>Limpie o reemplace.</li> <li>Inspeccione las válvulas. Limpie o reemplace según sea necesario. Instale el Juego de válvulas.</li> <li>Reemplace</li> </ol>   |



## GARANTÍA

**Ingersoll Rand** Company garantiza que los equipos que fabrica y distribuye conforme a este documento estarán libres de defectos tanto en sus materiales como en su fabricación, durante un período de doce (12) meses desde la fecha en que los Equipos se ponen en operación o de dieciocho (18) meses desde el momento del embarque, lo que suceda primero. Ese período de garantía aplicará a todos los equipos, salvo los siguientes: (A) Los compresores que operen exclusivamente con el Lubricante Sintético Ingersoll-para compresores, tendrán una garantía sobre el compresor sin accesorios de veinticuatro (24) meses desde la fecha de inicio de las operaciones o de treinta (30) meses desde la fecha de embarque, lo que ocurra primero. (B) Los repuestos tendrán una garantía de seis (6) meses desde la fecha de embarque Si dentro de dicho período se informa algún tipo de incumplimiento de las condiciones de esta garantía por escrito a la Compañía, ésta a su discreción, corregirá dicho incumplimiento reparando el equipo en forma apropiada, o proporcionará un reemplazo F.O.B. en el punto de embarque, siempre y cuando el comprador haya instalado, mantenido y operado dicho equipo en conformidad con prácticas industriales correctas y haya cumplido con las recomendaciones específicas de la Compañía. Los accesorios o equipos provistos por la Compañía pero fabricados por otros mantendrán cualquier garantía traspasada a **Ingersoll Rand** Company por su fabricante y podrán ser transferidas al Comprador. La Compañía no se hará responsable de reparaciones, reemplaces o ajustes a los Equipos o de ningún tipo de costo por mano de obra en que incurra el Comprador que no cuenten con la previa autorización por escrito de la Compañía.

La Compañía no hace ningún tipo de garantía de cumplimiento, a menos que se declare específicamente dentro de sus propuestas y esta garantía excluye específicamente los efectos de la corrosión, erosión y el desgaste normal. En aquellos casos donde expresamente se incluyan garantías de cumplimiento, la obligación de la Compañía será corregirlo en la manera y durante el plazo estipulado más arriba.

LA COMPAÑÍA NO HACE NINGÚN OTRO TIPO DE REPRESENTACIÓN, EXPRESA O IMPLÍCITA, SALVO AQUELLA DE PROPIEDAD Y POR ESTE MEDIO SE DECLINAN TODAS LAS GARANTÍAS IMPLÍCITAS DE COMERCIABILIDAD Y APTITUD PARA UN FIN EN PARTICULAR.

La corrección de los incumplimientos de la Compañía, sean patentes o latentes, en la forma y durante el plazo estipulado más arriba, deberán constituir el cumplimiento de todas las responsabilidades de la Compañía y sus Distribuidores, para aquellos incumplimientos respecto a o que surjan de dichos Equipos.

## LIMITACIÓN DE RESPONSABILIDADES

LOS RECURSOS DEL COMPRADOR ESTIPULADOS EN ESTE DOCUMENTO SON EXCLUSIVOS Y LA RESPONSABILIDAD TOTAL DE LA COMPAÑÍA, SUS DISTRIBUIDORES Y SUMINISTRADORES, CON RESPECTO AL CONTRATO O EQUIPOS Y SERVICIOS PROVISTOS, EN RELACIÓN CON LA EJECUCIÓN O SU FALTA DE CUMPLIMIENTO O QUE SURJAN DE LA FABRICACIÓN, VENTA, ENTREGA, INSTALACIÓN, REPARACIÓN O DIRECCIÓN TÉCNICA CUBIERTA O PROVISTA BAJO UN CONTRATO, YA SEA QUE SE BASEN EN UN CONTRATO, GARANTÍA, NEGLIGENCIA, INDEMNIDAD, RESPONSABILIDAD LIMITADA U OTRO, NO PODRÁN EXCEDER EL PRECIO DE COMPRA DE LA UNIDAD SOBRE LA CUAL SE BASA DICHA RESPONSABILIDAD.

LA COMPAÑÍA, SUS DISTRIBUIDORES Y SUS SUMINISTRADORES NO SERÁN BAJO NINGUNA CIRCUNSTANCIA RESPONSABLES ANTE EL COMPRADOR, ALGÚN SUCESOR O BENEFICIARIO O CESIONARIO DEL CONTRATO, POR EVENTUALES DAÑOS INDIRECTOS, ACCIDENTALES, EMERGENTES, ESPECIALES O PUNITIVOS QUE SURJAN DE ESTE CONTRATO O DE CUALQUIER INCUMPLIMIENTO DE ÉL, O DE CUALQUIER DEFECTO, FALLA O MAL FUNCIONAMIENTO DEL EQUIPO, SE OCASIONEN DICHS DAÑOS O NO EN LA FALTA DE USO, LA PÉRDIDA DE INGRESOS O UTILIDADES, INTERESES, PÉRDIDA DE PLUSVALÍA, CESE DE TAREAS, DAÑO SOBRE OTROS BIENES, PÉRDIDAS PRODUCTO DEL CIERRE O LA FALTA DE FUNCIONAMIENTO, AUMENTO EN LOS COSTOS DE OPERACIÓN, COSTO DE LA COMPRA DE ENERGÍA DE REEMPLAZO O RECLAMOS DE LOS COMPRADORES O CLIENTES DEL COMPRADOR POR LA INTERRUPCIÓN DEL SERVICIO, SE ORIGINE DICHA PÉRDIDA O DAÑO O NO EN EL CONTRATO, GARANTÍA, NEGLIGENCIA, INDEMNIZACIÓN, RESPONSABILIDAD ABSOLUTA U OTRO.

## GARANTIE ET ENREGISTREMENT DU PRODUIT

**Ingersoll Rand** garantit l'équipement pour une période de douze (12) mois à compter de la date de mise en opération de l'équipement ou dix-huit mois (18) mois à compter de la date d'expédition, selon la première éventualité atteinte.

Les compresseurs fonctionnant seulement avec un lubrifiant à compresseur toute saison Select verront leur pompe à compresseur SEULEMENT LA POMPE garantir pour une période de vingt-quatre (24) mois à compter de la date de fonctionnement initial ou trente (30) mois à compter de la date d'expédition.

Pour enregistrer votre produit, vous devez contacter votre fournisseur de service pneumatique local. Pour localiser votre fournisseur le plus près :

1. Dans votre navigateur, rendez-vous sur <http://www.ingersollrandproducts.com>.
2. À la page d'accueil, sélectionnez Amérique.
3. Cliquez sur « Service à la clientèle ».
4. Cliquez sur « Contactez-nous ».
5. Cliquez sur « Solutions d'air comprimé ».
6. Si vous demeurez aux États-Unis, entrez votre code postal à 5 chiffres dans le champs correspondant. Cela vous permettra de trouver votre centre de service de solutions d'air comprimé le plus près, et appuyez ensuite sur « Rechercher avec le code postal ». Si vous demeurez à l'extérieur des États-Unis, sélectionnez votre pays à partir de la liste « Locations internationales » et appuyez ensuite sur « Soumettre ».

## INFORMATIONS GÉNÉRALES

### ■ Introduction

Le présent manuel fournit des instructions sûres et fiables pour l'installation, l'exploitation et l'entretien de votre compresseur d'air **Ingersoll Rand**. Il est recommandé de lire le manuel avec soin avant de procéder à l'utilisation ou à l'entretien de votre appareil. Si vous avez des doutes concernant les instructions ou les procédures utilisées dans ce manuel, veuillez communiquer avec **Ingersoll Rand**. Il est également recommandé de garder ce manuel et toute publication accompagnant votre compresseur d'air dans un endroit accessible à toutes les personnes utilisant ou réparant votre système d'air comprimé.

### ■ Application

Votre compresseur d'air est approprié pour l'emploi d'outils à air, pistolets de calfatage, pistolets graisseurs, sableuses, etc. Selon votre application, les accessoires suivants sont requis :


- Un régulateur de la pression d'air pour ajuster la pression d'air admissible à l'outil ou l'accessoire.
- Un filtre de la ligne d'air pour l'élimination de l'humidité et la vapeur d'huile dans l'air comprimé.
- Un graisseur en ligne pour prolonger la vie des outils pneumatiques.
- Des transformateurs à air séparés combinant les fonctions de régulation d'air et/ou d'élimination de l'humidité et saleté.

Veuillez communiquer avec votre distributeur ou appeler le 1-800-AIR-SERV pour plus d'informations sur les outils pneumatiques et accessoires pour votre application.

### ■ Références additionnelles

À moins d'indication contraire, les dimensions, poids et mesures sont fournis en mesures U.S. standard suivies de sa conversion au système métrique entre parenthèses. Tout couple de serrage indiqué est fourni en livre par pouce ou pied suivi par son équivalent en newton-mètre entre parenthèses. Les caractéristiques électriques sont données en tension-phase-cycle.

## EXPLICATIONS DES MOTS SIGNALÉTIQUES DE SÉCURITÉ

 DANGER

Indique une situation dangereuse imminente qui, si non évitée, résultera en un décès ou des blessures sérieuses.

 AVERTISSEMENT

Indique une situation potentiellement dangereuse qui, si non évitée, pourrait résulter en des blessures sérieuses ou même la mort.

 MISE EN GARDE


Indique une situation potentiellement dangereuse qui, si non évitée, pourrait résulter en des blessures mineures ou des dommages à la propriété.

AVIS

Indique une information ou une politique de l'entreprise reliée directement ou indirectement à la sécurité du personnel ou la protection de la propriété.

## RÉCEPTION ET INSPECTION

Assurez-vous qu'un équipement de levage adéquat est disponible pour décharger et déplacer le compresseur à son lieu d'installation.

 AVERTISSEMENT

- **L'équipement de levage doit être adéquat pour le poids du compresseur. L'information relativement au poids est imprimée sur l'étiquette fixée sur la boîte d'expédition.**
- **Soulevez le compresseur seulement par les supports à patin d'expédition.**
- **Ne pas utiliser l'oeillet de levage motorisé pour soulever le compresseur. L'oeillet de levage motorisé ne doit être utilisé que pour retirer le moteur du compresseur seulement.**
- **Ne travaillez pas ou ne marchez pas sous le compresseur alors que celui-ci est suspendu.**

Utilisez un équipement de levage approprié (ex. chariot élévateur à fourche) pour soulever et transporter le compresseur à son emplacement d'installation. Assurez-vous que l'équipement de levage, les courroies, etc. peuvent supporter le poids du compresseur.

Avant de signer le reçu de livraison, inspectez pour tout dommage et pièces manquantes. Si des dommages ou pièces manquantes sont apparentes, inscrivez la remarque appropriée sur le reçu de livraison avant de signer le reçu. Contactez immédiatement le transporteur pour une inspection.

Tout le matériel doit être retenu dans l'emplacement de réception pour que le transporteur puisse effectuer une inspection.

Le reçu de livraison qui ont été signés sans remarque pour des dommages ou pièces manquantes sont considérés comme ayant été livrés « en bonne condition ». Les réclamations subséquentes sont donc considérées comme étant des réclamations d'avaries non apparentes. Toute réclamation pour dommages doit être réglée directement avec la compagnie de transport.


Si vous faites la découverte de dommage après la réception du compresseur (avarie non apparente), le transporteur doit être avisé à l'intérieur d'un délai de 15 jours et une inspection doit être demandée par téléphone. Vous devez obtenir une confirmation écrite. Lors des réclamations d'avaries non apparentes, il appartient au demandeur de prouver que le compresseur a été endommagé en transit.

Lisez la plaque signalétique du compresseur pour qu'il s'agit bien du modèle commandé. Lisez aussi la plaque signalétique du moteur pour vous assurer qu'elle est compatible avec vos conditions électriques.

Assurez-vous que l'enceinte électrique et les composants sont adéquates pour le lieu de l'installation.


## DIRECTIVES GÉNÉRALES DE SÉCURITÉ

### ⚠ DANGER / PELIGRO / DANGER

|   |   |
|---|---|
|  | <p><b>INTAKE AIR. CAN CONTAIN CARBON MONOXIDE OR OTHER CONTAMINANTS. WILL CAUSE SERIOUS INJURY OR DEATH.</b> INGERSOLL-RAND AIR COMPRESSORS ARE NOT DESIGNED, INTENDED OR APPROVED FOR BREATHING AIR. COMPRESSED AIR SHOULD NOT BE USED FOR BREATHING AIR APPLICATIONS UNLESS TREATED IN ACCORDANCE WITH ALL APPLICABLE CODES AND REGULATIONS.</p>  |
|   | <p><b>AIRE DE ADMISIÓN. PUEDE CONTENER MONÓXIDO DE CARBONO U OTROS CONTAMINANTES. PUEDE CAUSAR LESIONES GRAVES O LA MUERTE.</b> LOS COMPRESORES DE AIRE INGERSOLL-RAND NO ESTÁN DISEÑADOS, DESTINADOS PARA AIRE RESPIRABLE. NO SE DEBE USAR EL AIRE COMPRIMIDO PARA APLICACIONES DE AIRE RESPIRABLE A MENOS QUE SE TRATE DE ACUERDO CON TODAS LAS NORMAS Y REGLAMENTOS CORRESPONDIENTES.</p>                              |
|   | <p><b>AIR D'ADMISSION. PEUT CONTENIR DU MONOXYDE DE CARBONE OU D'AUTRES CONTAMINANTS. CAUSE DES BLESSURES GRAVES OU LA MORT.</b> LES COMPRESSEURS INGERSOLL-RAND N'ONT PAS ÉTÉ CONÇUS, NI DESTINÉS, NI APPROUVÉS POUR LA COMPRESSION D'AIR RESPIRABLE. L'AIR COMPRIMÉ NE DOIT PAS ÊTRE UTILISÉ POUR LA RESPIRATION À MOINS QU'IL N'AIT ÉTÉ TRAITÉ D'APRÈS LES NORMES ET RÉGLEMENTS EN VIGUEUR POUR CETTE APPLICATION.</p> |

54653662-00






### ⚠ WARNING/ADVERTENCIA/AVERTISSEMENT

|   |  |
|---|--|
|  | <p><b>HOT SURFACES. CAN CAUSE SERIOUS INJURY.</b> DO NOT TOUCH. ALLOW TO COOL BEFORE SERVICING.</p>                  |
|   | <p><b>SUPERFICIE CALIENTE. PUEDE CAUSAR LESIONES GRAVES.</b> NO TOCAR. DEJE QUE SE ENFRIE ANTES DE DAR SERVICIO.</p> |




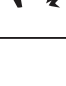

**SURFACE CHAUDE. PEUT CAUSER DES BLESSURES GRAVES.** NE PAS TOUCHER. ATTENDRE LE REFROIDISSEMENT AVANT DE RÉPARER.

56276652-01




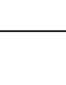

### ⚠ WARNING

|   |   |
|---|---|
|  | <b>READ OWNERS MANUAL BEFORE STARTING COMPRESSOR.</b>   |
|  | <b>MOVING PARTS. CAN CAUSE SERIOUS INJURY.</b> DO NOT OPERATE WITH GUARDS REMOVED. MACHINE MAY START AUTOMATICALLY. DISCONNECT POWER BEFORE SERVICING. LOCKOUT / TAGOUT MACHINE.  |
|  | <b>RISK OF FIRE OR EXPLOSION.</b> ELECTRICAL ARCING FROM COMPRESSOR COMPONENTS CAN IGNITE FLAMMABLE LIQUIDS AND VAPORS WHICH CAN RESULT IN SERIOUS INJURY. NEVER OPERATE THE COMPRESSOR NEAR FLAMMABLE LIQUIDS OR VAPORS. IF USED TO SPRAY FLAMMABLE MATERIALS, KEEP COMPRESSOR AT LEAST 20FT AWAY FROM THE SPRAY AREA.   |
|  | <b>HIGH PRESSURE AIR. BYPASSING, MODIFYING OR REMOVING SAFETY/RELIEF VALVES CAN CAUSE SERIOUS INJURY OR DEATH.</b> DO NOT BYPASS, MODIFY OR REMOVE SAFETY / RELIEF VALVES. DO NOT DIRECT AIR STREAM AT BODY. <b>RISK OF BURSTING.</b> USE ONLY SUITABLE AIR HANDLING PARTS ACCEPTABLE FOR PRESSURE OF NOT LESS THAN THE MAXIMUM ALLOWABLE WORKING PRESSURE OF THE MACHINE. NEVER MODIFY OR REPAIR TANK, OBTAIN REPLACEMENT FROM SERVICE CENTER. |
|  | <b>RISK OF ELECTRIC SHOCK.</b> DISCONNECT COMPRESSOR FROM ELECTRICAL SUPPLY CIRCUIT BEFORE SERVICING. DO NOT EXPOSE COMPRESSOR TO RAIN OR OPERATE IN A WET AREA. STORE INDOORS.   |








### ⚠ ADVERTENCIA

|  |  |
|--|--|
|   | <b>LEA EL MANUAL DEL USUARIO ANTES DE HACER ARRANCAR EL COMPRESOR.</b>   |
|   | <b>PARTES MÓVILES. PUEDE CAUSAR LESIONES GRAVES.</b> NO OPERE LA MÁQUINA SI SE HA RETIRADO EL PROTECTOR. LA MÁQUINA PUEDE EMPEZAR A FUNCIONAR AUTOMÁTICAMENTE. DESCONECTE LA ENERGÍA ANTE DE DARLE SERVICIO A LA MÁQUINA. BLOQUEAR/ETIQUETAR LA MÁQUINA.   |
|   | <b>RIESGO DE INCENDIO O EXPLOSIÓN.</b> EL ARCO ELÉCTRICO PRODUCIDO POR LOS COMPONENTES DEL COMPRESOR PUEDE ENCENDER LOS LÍQUIDOS Y VAPORES INFLAMABLES, CAUSANDO LESIONES GRAVES. NO HAGA FUNCIONAR NUNCA EL COMPRESOR CERCA DE LÍQUIDOS O VAPORES INFLAMABLES. SI SE UTILIZA PARA ASPERSIÓN DE MATERIALES INFLAMABLES, DEBE MANTENERSE EL COMPRESOR A UNA DISTANCIA MÍNIMA DE 20 PIES (6 METROS) DEL ÁREA DE ASPERSIÓN.   |
|   | <b>AIRE DE ALTA PRESIÓN. LA DERIVACIÓN MODIFICACIÓN O RETIRO DE LAS VÁLVULAS DE SEGURIDAD/ALIVIO PUEDE CAUSAR LESIONES GRAVES O LA MUERTE.</b> NO DERIVE, MODIFIQUE O RETIRE LAS VÁLVULAS DE SEGURIDAD/ALIVIO. <b>RIESGO DE EXPLOSIÓN.</b> UTILICE SOLAMENTE PIEZAS DE MANIPULACIÓN DE AIRE ADECUADAS QUE SEAN ACEPTABLES PARA PRESIONES NO MENORES A LA PRESIÓN MÁXIMA DE TRABAJO ADMISIBLE DE LA MÁQUINA. NO MODIFIQUE NI REPARE NUNCA EL TANQUE; OBTenga UN REEMPLAZO DEL CENTRO DE SERVICIO. |
|  | <b>RIESGO DE DESCARGA ELÉCTRICA.</b> DESCONECTE EL COMPRESOR DEL CIRCUITO DE SUMINISTRO ELÉCTRICO ANTES DE DARLE SERVICIO. NO HAGA FUNCIONAR EL COMPRESOR A LA LLUVIA NI LO OPERE EN UN LUGAR HÚMEDO. ALMACÉNELO EN EL INTERIOR.   |

### ⚠ AVERTISSEMENT

|   |   |
|---|---|
|  | <b>LISEZ LE MANUEL DE L'UTILISATEUR AVANT DE METTRE LE COMPRESSEUR EN MARCHÉ.</b>   |
|  | <b>PIÈCES TOURNANTES. PEUT CAUSER DES BLESSURES GRAVES.</b> NE PAS OPERER SANS PROTECTIONS. LA MACHINE PEUT COMMENCER AUTOMATIQUÉMENT. DÉBRANCHER AVANT LE SERVICE. VERROUILLER/ÉTIQUETER LA MACHINE.   |
|  | <b>RISQUE D'INCENDIE OU D'EXPLOSION.</b> LES ARCS ÉLECTRIQUES PRODUITS PAR LES COMPOSANTS DU COMPRESSEUR PEUVENT ENFLAMMER LES LIQUIDES ET VAPEURS INFLAMMABLES, CE QUI PEUT CAUSER DES BLESSURES GRAVES. NE JAMAIS FAIRE MARCHER LE COMPRESSEUR À PROXIMITÉ DES LIQUIDES OU VAPEURS INFLAMMABLES. S'IL EST UTILISÉ POUR VAPORISER DES MATIÈRES INFLAMMABLES, GARDER LE COMPRESSEUR À 6 MÈTRES (20 PIEDS) AU MOINS DE LA ZONE DE VAPORISATION.  |
|  | <b>AIR SOUS PRESSION ÉLEVÉE. LE CONTOURNEMENT, LA MODIFICATION OU LE RETRAIT DE SOUPAPES DE SÉCURITÉ / DÉTENTE PEUT CAUSER DES BLESSURES GRAVES OU LA MORT.</b> NE PAS CONTOURNER, MODIFIER OF RETIRER LES SOUPAPES DE SÉCURITÉ/DÉTENTE. <b>RISQUE D'ÉCLATEMENT.</b> UTILISER UNIQUEMENT DES PIÈCES DE MANIPULATION D'AIR DONT LA PRESSION NOMINALE N'EST PAS INFÉRIEURE À LA PRESSION MAXIMALE ADMISSIBLE DE TRAVAIL DE L'APPAREIL. NE JAMAIS MODIFIER OU RÉPARER LE RÉSERVOIR; OBTENIR UN RECHANGE AUPRÈS DU CENTRE DE SERVICE. |
|  | <b>DANGER DE CHOC ÉLECTRIQUE.</b> DÉBRANCHER LE COMPRESSEUR DU CIRCUIT ÉLECTRIQUE D'ALIMENTATION AVANT DE FAIRE DES ENTRETIENS. NE PAS EXPOSER LE COMPRESSEUR À LA PLUIE ET VEILLER À L'UTILISER À L'ABRI DU MOUILLE. STOCKER À L'INTÉRIEUR.  |

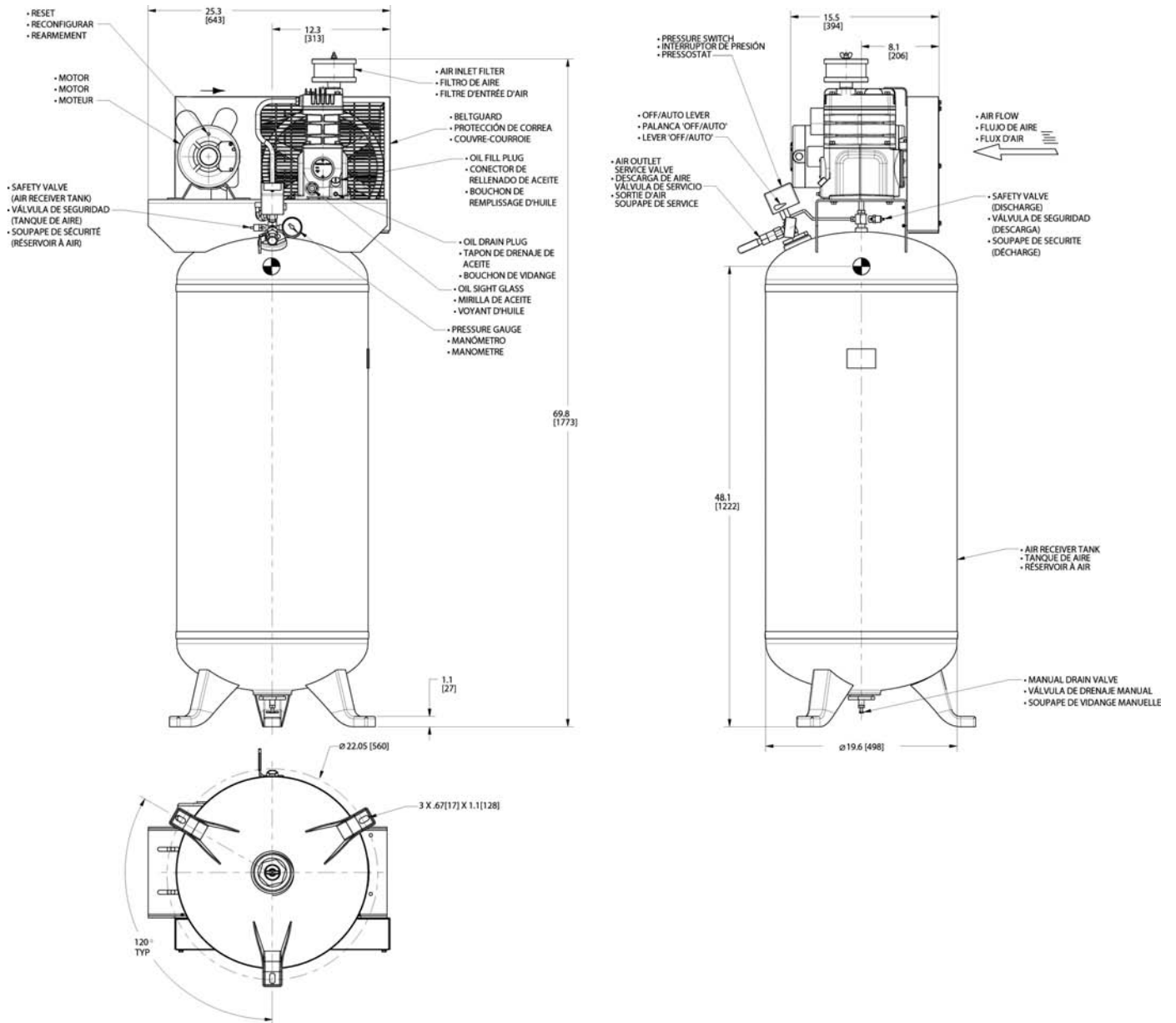
### ⚠ WARNING / ADVERTENCIA / AVERTISSEMENT

|   |   |
|---|---|
|  | <p>High Pressure Air. Rusted tanks can cause explosion and severe injury or death. Receiver under pressure. Operator should relieve tank pressure before performing maintenance. Operate manual drain daily or after each use. Manual drain valve  located on bottom of tank. </p>  |
|   | <p>Aire a alta presión. Los tanques oxidados pueden causar una explosión y lesiones graves o la muerte. Receptor bajo presión. El operador deberá aliviar la presión del tanque antes de dar servicio de mantenimiento. Debe drenarse manualmente cada día o después de cada uso. La válvula  de drenaje manual está ubicada en la parte inferior del tanque. </p>            |
|   | <p>Air à haute pression. Les réservoirs rouillés peuvent provoquer une explosion et causer des blessures graves ou la mort. Récepteur sous pression. L'opérateur doit détendre la pression du réservoir avant d'effectuer l'entretien. Actionner le drain manuel quotidiennement ou après chaque utilisation. Le robinet de drain manuel  est situé en bas du réservoir. </p> |

23482383-A

# INSTALLATION

## Disposition générale



## ■ Selección de una ubicación

### ■ Général

Sélectionnez un lieu propre, sec, bien éclairé à l'intérieur avec beaucoup d'espace pour l'écoulement de refroidissement de l'air bon et l'accessibilité. Recherchez l'unité au moins 12 pouces (30 cm) des murs, et assurez-vous de l'alimentation principale est clairement identifié et accessible.

### ■ Température

L'échelle de température idéale de fonctionnement se situe entre 32°F et 100°F (0°C à 37,8°C). Si la température descend fréquemment sous 32°F (0°C), installez le compresseur dans un endroit chauffé. Si cela n'est pas possible, vous devez protéger contre le gel les soupapes de sûreté/de décharge ainsi que les soupapes de purge.

#### AVIS

- **Nunca opere ese compresor a temperaturas por debajo de 20°F (-6.6°C) o por encima de 120°F (48.9°C).**

### ■ Endroits humides

Das des endroits fréquemment humides, de l'humidité peut se former à l'intérieur de la pompe et produire des boues de carter dans le lubrifiant, usant prématurément les pièces mobiles. L'humidité excessive a plus de chance de se produire si le compresseur est localisé dans un endroit non-chauffé, sujet à des différences de température importantes. Deux signes d'humidité excessive : condensation externe sur la pompe lorsqu'elle refroidit et une apparence «laiteuse» dans le lubrifiant pétrolier. Vous pouvez aussi prévenir l'humidité de se former dans la pompe en augmentant la ventilation et le fonctionnement à des intervalles plus longues ou en installant un chauffe-moteur externe.

### ■ Environnements bruyants

Consultez les autorités locales pour de l'information concernant les niveaux de bruit acceptable dans votre secteur. Pour réduire le bruit excessif, utilisez des coussins isolateurs de vibrations ou silencieux d'aspiration, relocaliser le compresseur ou construire une enceinte close ou des murs défl ecteurs.

## ■ Montage permanent

# CAUTION

THIS UNIT MUST BE INSTALLED ON A LEVEL FLOOR AND TANK FEET MUST BE SHIMMED PER THE OWNERS MANUAL.

DO NOT OPERATE THE UNIT ON THE SHIPPING SKID.

#### ⚠ MISE EN GARDE

- **Retirez le compresseur de la plateforme de manutention avant le montage. Référez-vous à la section REÇU ET INSPECTION de ce manuel pour de l'information concernant le levage et la manipulation du compresseur.**

#### AVIS

- **Les règlements locaux pourraient exiger des exigences de montage spécifique que incluant, mais sans s'y limiter à, des montures ou coussins isolateurs de vibrations. Les ensembles de montage comprenant des montures ou coussins isolateurs de vibrations peuvent être commandés à un concessionnaire Ingersoll Rand, si non compris avec le compresseur. Consultez votre concessionnaire local pour plus d'information.**
- **Fixez solidement le compresseur à une surface de montage solide, planche et au niveau.**
- **Si les montures ou coussins isolateurs de vibrations sont compris avec votre compresseur, ils doivent être installés correctement. Si l'installation du compresseur ne comprend pas l'installation des montures ou coussins isolateurs de vibrations fournis avec le compresseur et conformément avec les instructions d'installation, cela pourrait entraîner un défaut mécanique du compresseur et l'annulation de couverture de garantie.**
- **N'installez pas le compresseur sur des poutrelles en I, des systèmes de plancher à grille flottante ou des surfaces qui ne sont pas dures.**
- **Ingersoll Rand ne peut aucunement être tenu responsable pour l'installation de l'équipement sur des montures ou coussins isolateurs de vibrations ou des surfaces non-dures non-approuvées.**

Pour installer le compresseur sur un plancher de béton, utilisez la procédure suivante :

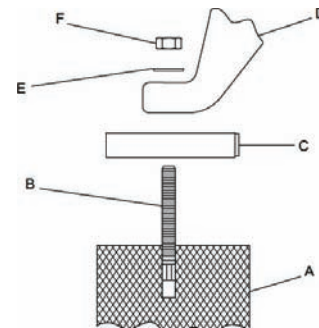
1. Marquez l'endroit sur les orifices de montage.

2. Utilisez un foret de maçonnerie (1/2 pouce) pour percer des trous 2-1/4 pouces de profondeur.

#### AVIS

- **Il pourrait être utile d'utiliser un morceau de ruban sur le foret pour marquer la profondeur appropriée.**
3. Percez un trou dans le centre de chaque coussin d'isolation (si fournit ou requis par les règlements locaux).
  4. Guidez les ancrages dans les orifices de montage, la partie filetée vers le haut.
  5. Installez les coussins d'isolation par dessus les ancrages, tel qu'illustré ci-dessous.
  6. Positionnez le compresseur au-dessus des trous percés et abaissez lentement les pieds du compresseur par dessus ces trous.
  7. Installez les boulons de scellement.
  8. Installez les écrous et serrez chacun d'eux à un couple de 10 lb pi.

#### Montage permanent typique



A = Surface de montage

B = Boulon de scellement / ancrage

C = Coussin d'isolation (si fournit ou requis par les règlements locaux)

D = Pieds de montage du compresseur

E = Rondelle

F = Écrou

Après avoir installé tous les écrous, vérifiez pour toute contrainte de réservoir en desserrant individuellement chaque boulon pour vous assurer d'un mouvement vers le haut des pieds. Un mouvement vers le haut indique la dimension d'une entretoise métallique appropriée afin de combler l'ouverture sous les pieds. Une fois toutes les entretoises insérées, serrez les boulons à un couple de 10 lb pi.

Ne pas serrer inégalement les pieds, car cela pourrait causer une contrainte au sur le réservoir.

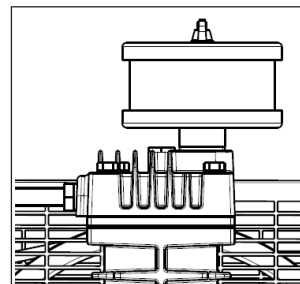
## ■ INSTALLATION DU FILTRE D'ASPIRATION

#### ⚠ MISE EN GARDE

- **Ne pas utiliser l'appareil sans filtre d'aspiration.**

Si l'air autour de l'unité est relativement libre de saleté, installer le filtre d'aspiration dans la prise d'air de la pompe. Communiquer avec votre distributeur pour des informations sur l'installation de canalisation de refoulement ou des filtres de grande puissance.

#### Filtere d'aspiration



## ■ Installation de la canalisation de refoulement

Pour l'installation de canalisations de refoulement d'air et de condensat, observer les suivantes lignes guidées générales. Communiquer avec votre distributeur pour des informations additionnelles.

### ⚠ AVERTISSEMENT

- **N'utiliser nulle part dans le circuit d'air comprimé des tuyaux de plastique, des raccords soudés en cuivre, des tubes de caoutchouc ou des joints soudés à l'étain au plomb.**
- **Si un refroidisseur de sortie, un clapet antiretour, un robinet de sectionnement ou toute autre restriction est ajoutée au circuit de refoulement du condensat, installer entre cette restriction et le compresseur une soupape de sûreté et de décharge homologuée ASME ayant le format qui convient.**

### ⚠ MISE EN GARDE

- **Si le lubrifiant utilisé était du Lubrifiant synthétique pour compresseur Ingersoll Rand la tuyauterie et les composants en aval du circuit doivent être composés d'un matériau compatible. Se reporter à la liste de matériaux compatibles ci-dessous. Si le circuit comporte des matériaux qui ne sont pas compatibles ou qui ne figurent pas dans la liste, communiquer avec le distributeur ou appeler le 1-800-AIR-SERV.**

#### Acceptable :

Viton®, Teflon®, époxydes (chargés à la fibre de verre), alkydes résistants aux huiles, fluorosilicones, hydrocarbures fluorés, polysulfides, uréthanes à 2 composants, nylon, Delrin®, Celcon®, caoutchoucs à forte teneur en nitrile (contenant plus de 36 % d'acrylonitrile), polyuréthane, polyéthylène, épichlorhydrine, polyacrylate, mélamine, polypropylène, résines phénoliques cuites, époxydes, alkydes modifiés  
(\* Marque déposée de DuPont Corporation)

#### Non recommandés :

Néoprène, caoutchouc naturel, caoutchouc SBR, peintures acryliques, laques, vernis, polystyrène, CPV (PVC), ABS, polycarbonates, acétate de cellulose, caoutchoucs à faible teneur en nitrile (contenant moins de 36 % d'acrylonitrile), EPDM, acétate de vinyle et d'éthylène, latex, caoutchoucs éthylène-propylène (EPR), acryliques, résines phénoxy, polysulfones (PSF), styrène-acrylonitrile, butyle

## ■ Généralités

La tuyauterie, les raccords, le réservoir, etc. doivent être homologués pour fonctionner à la pression maximale de fonctionnement de l'unité. Utiliser des tubes d'acier ou de cuivre à filetage ou à soudage fort et des raccords en fonte dont l'homologation convient à la pression et à la température de refoulement du compresseur. **NE PAS UTILISER DE TUBES OU DE RACCORDS EN PLASTIQUE CPV (PVC).** Utiliser un calfeutrage de filets sur toute la tuyauterie et bien serrer les joints afin de prévenir toute fuite d'air.

## ■ Canalisations de refoulement du condensat

Si une canalisation de refoulement du condensat doit être installée, s'assurer que le diamètre de ses tuyaux est supérieur à celui du raccord d'au moins une catégorie, que son circuit est le plus court et le plus direct possible, qu'elle est fixée solidement en place et qu'elle est dirigée vers un point de purge convenable. Le condensat doit être éliminé en conformité avec les lois et règlements en vigueur au niveau municipal, provincial et fédéral.

### AVIS

- **Tous les systèmes à air comprimé produisent du condensat s'accumulant dans une pointe de décharge (p. ex. Réservoirs, filtres, branches d'égouttage, radiateurs secondaires, sécheurs). Ce condensat contient d'huile lubrifiant et/ou des substances réglementées qui doivent être enlevés selon les lois et les règlements municipaux, provinciaux et fédéraux.**

## ■ Câblage électrique

### ⚠ MISE EN GARDE

- **L'installation et les révisions du circuit électrique doivent être effectuées par un électricien agréé qui connaît les lois et les règlements municipaux, provinciaux et fédéraux qui sont en vigueur.**

### AVIS

- **Cet unité doit être connectée à une système de câblage permanente, métallique, mise à la terre, ou une borne pour la mise à terre d'équipement ou un conducteur sur le systemème.**

## ■ Généralités

Les caractéristiques nominales du moteur, indiquées sur la plaquette signalétique, et l'alimentation électrique doivent correspondre aux caractéristiques de la tension, des phases et des cycles.

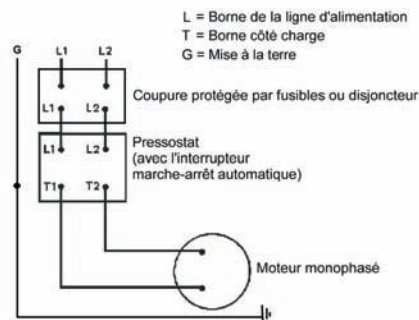
## ■ Calibre des fils

Le câblage reliant l'alimentation électrique et le moteur varie en fonction de la puissance du moteur (HP). Les fils conducteurs doivent avoir le calibre requis pour prévenir une chute excessive de la tension au démarrage. Des renseignements concernant le choix du calibre des fils et l'assujettissement des raccords devraient vous avoir été fournis avec le moteur. Sinon, se reporter à la Code nationale d'électricité (NEC) ou aux règlements municipaux, provinciaux et fédéraux applicables. Si d'autres équipements électriques sont raccordés sur le même circuit que le compresseur, il faut prendre en considération la charge électrique totale lors de la sélection du calibre des fils. **NE PAS UTILISER DE FILS TROP PETITS.**

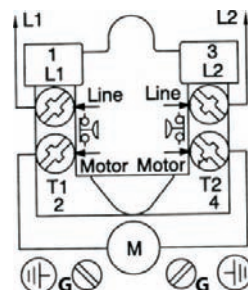
## ■ Fusibles

Se reporter au Code national de l'électricité afin de déterminer les caractéristiques nominales requises du fusible ou du disjoncteur. Au moment de choisir les fusibles, prendre en compte le fait que le courant de pointe lors du démarrage d'un moteur électrique soit supérieur au courant à pleine charge. L'usage de fusibles à retardement ou à fusion temporisée est recommandé.

### Schéma de câblage



### Pressostat



## ■ Lubrification du compresseur

### NOTICE

#### ADD OIL FIRST!

- This compressor pump is shipped without oil.
- Do not operate without lubricant or with inadequate lubricant.
- Do not use engine oil in the compressor pump.
- Ingersoll-Rand is not responsible for equipment failure caused by inadequate or incorrect lubrication.
- Refer to the compressor owner's manual for compressor lubricant recommendations.
- Install properly
- Check for adequate electrical supply
- Contact certified electrician
- Consult instruction manual

### AVISO

#### PRIMERO, LLENAR DE ACEITE!

- Se entrega esta bomba de compresor sin aceite.
- No hacer funcionar sin aceite ni con aceite inadecuado.
- No poner aceite de motor en la bomba del compresor.
- Ingersoll-Rand no será responsable por fallas en el equipo debidas a lubricación inadecuada o incorrecta.
- Consultar el manual del compresor en cuanto a la lubricación recomendada.
- Instalar correctamente.
- Verificar que la alimentación eléctrica sea adecuada
- Consultar un electricista certificado
- Referirse al manual de instrucciones

### AVIS

#### AJOUTEZ D'ABORD DE L'HUILE!

- Cette pompe de compresseur est livrée sans huile.
- Ne mettez pas en marche sans lubrifiant ou avec un lubrifiant non approprié.
- N'utilisez pas d'huile de moteur dans la pompe de compresseur.
- Ingersoll-Rand décline toute responsabilité pour les pannes d'équipement causées par une lubrification insuffisante ou incorrecte.
- Reportez-vous au mode d'emploi du compresseur pour les recommandations concernant le lubrifiant du compresseur.
- Installez correctement
- Vérifiez que l'alimentation électrique est adéquate
- Contactez un électricien certifié
- Consultez le manuel d'instructions

56280655-01

### AVIS

- **Ne pas faire fonctionner le compresseur sans lubrifiant ou avec un lubrifiant qui ne convient pas. Ingersoll Rand décline toute**

## responsabilité pour les pannes du compresseur causées par une lubrification inadéquate.

### ■ Lubrifiant synthétique

Nous recommandons d'utiliser le lubrifiant synthétique **Ingersoll Rand** pour compresseurs dès la mise en marche. Pour de plus amples renseignements concernant la garantie prolongée, se reporter à la section GARANTIE.

### ■ Lubrifiants de recharge

On peut utiliser un lubrifiant à base de pétrole à condition qu'il soit de qualité supérieure, qu'il ne contienne aucun détergent, qu'il contienne comme additifs seulement des agents antirouille, antioxydants et antimousse, que son point d'éclair soit de 227 °C (440 °F) ou plus et que sa température d'inflammation spontanée soit de 343 °C (650 °F) ou plus.

Se reporter ci-dessous au tableau de viscosité des lubrifiants à base de pétrole. Il est fourni exclusivement à titre d'information. Des conditions de marche rigoureuses nécessitent une viscosité plus élevée. Pour obtenir des recommandations, discuter avec le distributeur des conditions réelles de fonctionnement.

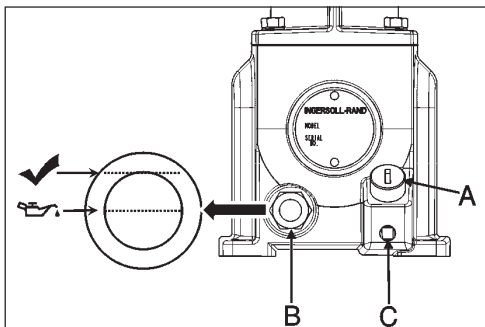
| Température autour du compresseur |              | Viscosité à 100°F (37,8°C) |             | Catégorie de viscosité |     |
|-----------------------------------|--------------|----------------------------|-------------|------------------------|-----|
| °F                                | °C           | SUS                        | Centistokes | ISO                    | SAE |
| 40 et moins                       | 4,4 et moins | 150                        | 32          | 32                     | 10  |
| 40 - 80                           | 4,4 - 26,7   | 500                        | 110         | 100                    | 30  |
| 80 - 125                          | 26,7 - 51,0  | 750                        | 165         | 150                    | 40  |

Si, après avoir utilisé un lubrifiant pour compresseur à base de pétrole depuis la mise en marche, il est décidé de passer au lubrifiant synthétique **Ingersoll Rand** pour compresseurs alors il faudra faire décrocher le compresseur par le distributeur avant d'effectuer la conversion.

### ■ Procédures de remplissage

- Dévisser et enlever le bouchon du réservoir à huile (A).
- Remplir le carter lentement avec le lubrifiant, jusqu'à ce que le lubrifiant atteigne le filet supérieur de l'ouverture pour remplissage d'huile et le sommet du voyant. La capacité du carter pour le S55J5 est un (1) litre.
- Refermer le bouchon d'huile et le SERRER SEULEMENT AVEC LES DOIGTS.

#### Procédures de remplissage



## OPÉRATION

### ■ Généralités

Ce compresseur d'air est conçu pour un service continu de 100% en utilisant le lubrifiant synthétique **Ingersoll Rand** POUR COMPRESSEURS et pour un service continu de 60% en utilisant un lubrifiant à base de pétrole. L'utilisation d'un lubrifiant synthétique permet le compresseur de pomper continuellement sans cyclage. Un lubrifiant à base de pétrole limite le compresseur à un maximum de 36 minutes de pompage par heure. La limite de cyclage de la pompe est 10 cycles par heure.

### ■ Mise en marche initiale

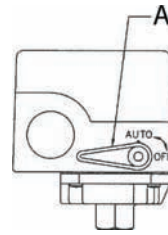
#### Mano-contact:

Le mano-contact est pré réglé à la pression exigée. Les arrangements de gamme et de différentiel **NE SONT PAS** réglables. Le mano-contact ne devrait pas être trifouillé de quelque façon et aucune tentative ne devrait être faite pour ajuster les arrangements de pression car ceci pourrait endommager le commutateur au point d'échec et/ou vider n'importe quelle garantie pour le mano-contact.

Utiliser cette procédure avant de la mise en marche initiale :

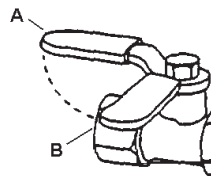
- Mettre le levier du pressostat (A) dans la position "OFF".

#### Levier du pressostat



- Ouvrir complètement la soupape de service pour prévenir une augmentation d'air dans le réservoir. (A=Ouvvert, B=Fermé).

#### Soupape de service



- Mettre le levier du pressostat dans la position "ON/AUTO". Le compresseur se démarre.
- Faire fonctionner le compresseur pour 30 minutes. S'assurer que la soupape de service est complètement ouverte et qu'il n'y a pas d'accumulation de pression dans le réservoir.

### ⚠ AVERTISSEMENT

- **Un bruit inhabituel ou des vibrations indiquent qu'il y a un problème. Cesser de faire fonctionner l'appareil jusqu'à ce que la source du problème ait été identifiée et corrigée. EN CAS D'URGENCE, COUPER IMMÉDIATEMENT L'ALIMENTATION SECTEUR.**
- 5. Après 30 minutes, fermer la soupape de service complètement. Le réservoir d'air se remplira jusqu'à la pression de disjonction et le moteur s'arrêtera. Le compresseur est prêt pour l'utilisation.

### ■ Démarrage normal

- Mettre le levier du pressostat dans la position "OFF".
- Fermer la soupape de service.
- Connecter le tuyau et les accessoires.
- Mettre le levier du pressostat dans la position "ON/AUTO". Le compresseur se démarre.
- Laisser augmenter la pression dans le réservoir. Le moteur s'arrêtera quand la pression dans le réservoir atteint la pression de disjonction.
- Ouvrir la soupape de service. Le compresseur est prêt pour l'utilisation.

### AVIS

- **Si la pression du réservoir se diminue au-dessous du minimum préétabli en usine, le pressostat se remet à zéro et relance le compresseur.**

### ■ Lorsque vous avez fini

- Mettre le levier du pressostat dans la position "OFF".
- Fermer la soupape de service complètement.
- Déconnecter l'outil pneumatique ou l'accessoire.
- Ouvrir lentement la soupape de service pour purger la pression d'air jusqu'à 20 psig.
- Ouvrir lentement le purgeur manuel au fond du réservoir pour vidanger tout condensat (eau).
- Fermer la soupape de vidange et la soupape de service pour l'utilisation future.

## ENTRETIEN

### ⚠ MISE EN GARDE

- Couper, bloquer et identifier l'alimentation principale et relâcher la pression d'air du circuit avant d'effectuer l'entretien.

### AVIS

- Tous les systèmes d'air comprimé comportent des éléments (par ex. l'huile lubrifiante, les filtres, les séparateurs) qui sont remplacés périodiquement. Ces éléments peuvent être ou peuvent contenir des substances réglementées qui doivent être éliminées en conformité avec les lois et les règlements en vigueur au niveau municipal, provincial et fédéral.
- Lors du démontage, prendre note de la position et de l'orientation des pièces afin de faciliter leur assemblage éventuel. Les séquences d'assemblage ainsi que les pièces figurant dans les illustrations peuvent ne pas correspondre à votre appareil.
- Tout entretien ne figurant pas dans la présente section doit être effectué par un agent d'entretien autorisé.

### CALENDRIER POUR L'ENTRETIEN DE ROUTINE

Tous les jours ou avant chaque mise en marche

- Vérifier le niveau de lubrifiant. Remplir au besoin.
- Vidanger le réservoir de condensat. Ouvrir le purgeur manuel, capter le condensat et l'éliminer de la manière appropriée.
- Vérifier si l'appareil émet un bruit ou des vibrations inhabituels.
- S'assurer que les carters de courroies et autres sont fixés solidement en place.
- S'assurer que l'espace autour du compresseur ne comporte pas de chiffons, d'outils, de débris et de matières inflammables ou explosives.
- Inspecter les éléments filtrants du filtre d'aspiration. Les nettoyer au besoin.

Une fois par semaine

Une fois par mois

- Vérifier s'il y a des fuites d'air. Asperger de l'eau savonneuse autour des joints pendant que le compresseur est en marche et vérifier si des bulles se forment.
- S'assurer que les vis et les boulons sont bien serrés. Les serrer au besoin.
- Nettoyer l'extérieur.
- Vérifier le lubrifiant à base de pétrole pendant que le carter principal est encore tiède.
- Vidanger le lubrifiant synthétique pendant que le carter principal est encore tiède.
- Remplacer l'élément filtrant.

3/500 \*

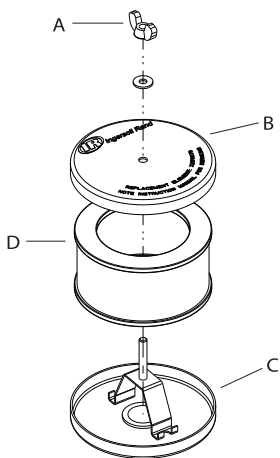
12/2000 \*

\*indique le nombre de mois ou d'heures de fonctionnement, selon la première éventualité.

### ■ Remplacement du filtre

1. Dévisser et retirer l'écrou à ailettes (A) qui tient le capot du filtre (B) en place sur la base (C).
2. Détacher le capot du filtre et retirer l'élément filtrant (D). Nettoyer l'élément avec un jet d'air sous pression ou un aspirateur.
3. Remplacer l'élément de filtrage et le capot du filtre et fixer-le avec l'écrou à ailettes.

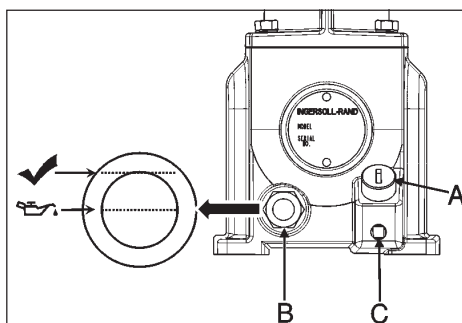
#### Remplacement du filtre



### ■ Vidange d'huile

1. Ouvrir le bouchon de vidange d'huile (A) et laisser le lubrifiant s'écouler dans un contenant propice.
2. Refermer le bouchon de vidange d'huile.
3. Suivre les directives de remplissage de la section MODE D'EMPLOI.

#### Vidange d'huile



### ■ Ajustement de la courroie

#### ■ Vérification de la tension

Vérifier occasionnellement la tension de la courroie, particulièrement si elle semble lâche. Pour une vérification rapide, observer si le brin mou de la courroie est légèrement arqué lorsque l'appareil est en marche. Si c'est le cas, alors l'ajustement de la courroie est généralement adéquat.

#### ■ Tensionnement d'une courroie

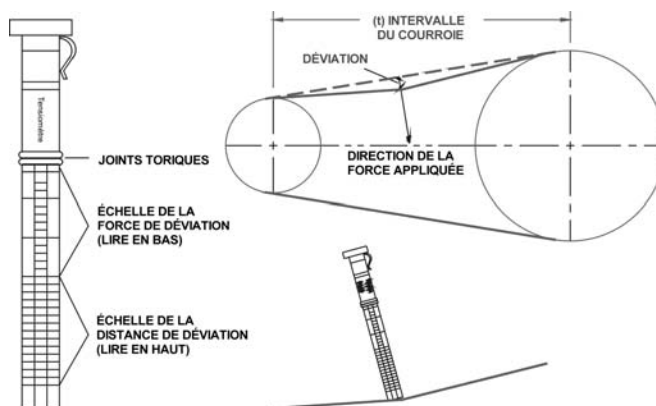
On tensionne la courroie en dévissant les boulons d'ancrage du moteur, puis en écartant le moteur de la pompe en le glissant le long de la base, pour ensuite serrer à nouveau les boulons. Le moteur se déplace facilement en plaçant un levier dessous. Si le tensionnement s'avérait nécessaire, on peut aussi employer un écarteur disposé dans le commerce ou tout autre dispositif de tensionnement pour courroies.

Suivre la procédure ci-dessous pour régler et mesurer correctement la tension de la courroie.

1. Déposer une règle le long de la surface supérieure et extérieure de la courroie, entre la poulie motrice et le volant.
2. À mi-chemin entre les deux et perpendiculairement à la courroie, jauger la pression à la surface extérieure de la courroie en y appuyant un dynamomètre de tension. Faire fléchir la courroie à la distance figurant au tableau. Comparer la tension lue sur l'instrument à celle qui figure au tableau.

| Déflexion (pouces) | Tension min. (lb) | Tension max. (lb) |
|--------------------|-------------------|-------------------|
| 0,17               | 3,0               | 6,0               |

#### Tensionnement d'une courroie



Avant de faire démarrer le compresseur, assurer l'alignement exact du centre des rainures de la poulie motrice et du volant ainsi que le serrage des boulons d'ancrage du moteur.

### AVIS

- Un alignement incorrect de la poulie et du volant ou un tensionnement inadéquat de la courroie pourrait entraîner une surcharge du moteur, des vibrations excessives et un bris prématuré de la courroie ou du palier. Afin de prévenir ces problèmes, s'assurer, après avoir installé

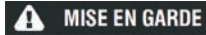


**une nouvelle courroie ou tensionné une courroie existante, que la poulie et le volant sont bien alignés et que la tension de la courroie est adéquate.**

## ■ Inspection de la bouteille accumulatrice

La longévité de la bouteille accumulatrice dépend de plusieurs facteurs, y compris, sans s'y restreindre, les conditions d'exploitation, le milieu ambiant et le niveau d'entretien. L'effet exact propre à chacun de ces facteurs est difficile à juger ; voilà pourquoi IngersollRand vous recommande de prévoir une inspection agréée de la bouteille dans les cinq premières années de service du compresseur. Pour commander une inspection de bouteille accumulatrice, communiquer avec le centre IR ou le distributeur de votre région ou composer le 1800AIR SERV.

Une bouteille qui n'a pas subi d'inspection au cours des 10 premières années de service du compresseur doit être retirée du service jusqu'à ce qu'elle ait été inspectée. Une bouteille qui ne répond pas aux normes doit être remplacée.



- **Si une bouteille accumulatrice rouillée n'est pas remplacée, elle risque d'éclater ou d'exploser, entraînant la possibilité de dommages importants, de blessures graves ou même de décès. Ne jamais modifier ou réparer une bouteille : obtenir une bouteille de rechange dans un centre de service.**

## DÉPANNAGE

| PROBLÈME  | CAUSE POSSIBLE  | SOLUTION POSSIBLE  |
|---|---|--|
| Usure anormale des pistons, des segments ou des cylindres         | <ol style="list-style-type: none"> <li>1. Viscosité trop faible du lubrifiant.</li> <li>2. Niveau de lubrifiant trop faible.</li> <li>3. Le lubrifiant utilisé est du type à détergent.</li> <li>4. Les cylindres ou les pistons sont égratignés, usés ou entaillés..</li> <li>5. Atmosphère chargée de poussières.</li> <li>6. Paroi de cylindre usée.</li> </ol>  | <ol style="list-style-type: none"> <li>1. Vidanger le lubrifiant actuel et le remplacer par un lubrifiant qui convient.</li> <li>2. Verser du lubrifiant dans le carter principal jusqu'au niveau requis.</li> <li>3. Vidanger le lubrifiant actuel et le remplacer par un lubrifiant qui convient.</li> <li>4. Réparer ou remplacer au besoin.</li> <li>5. Installer une canalisation d'aspiration à distance et l'acheminer vers une source d'air propre. Installer un système de filtration plus efficace.</li> <li>6. Roder le cylindre à l'aide d'un rodoir flexible de 180 grains.</li> </ol>  |
| Chute du débit d'air  | <ol style="list-style-type: none"> <li>1. Filtre sale à l'aspiration et/ou au refoulement.</li> <li>2. Fuites d'air dans les canalisations de refoulement.</li> <li>3. Viscosité trop élevée du lubrifiant..</li> <li>4. Fuites, bris ou accumulation de calamine dans les clapets du compresseur.</li> <li>5. Segments de pistons endommagés ou usés (cassés, rugueux ou égratignés). Coupe ou dégagement latéral trop grand.</li> <li>6. Les segments sont hors de leur logement ou coincés dans leurs gorges ou leurs coupes ne sont pas décalées.</li> <li>7. Les cylindres ou les pistons sont égratignés, usés ou entaillés.</li> <li>8. Soupape de sûreté et de décharge défectueuse.</li> </ol> | <ol style="list-style-type: none"> <li>1. Nettoyer ou remplacer.</li> <li>2. Vérifier les tubes et les raccords.</li> <li>3. Vidanger le lubrifiant actuel et le remplacer par un lubrifiant qui convient.</li> <li>4. Inspecter les clapets. Les nettoyer ou les remplacer au besoin.</li> <li>5. Installer une trousse de rechange segments et joints.</li> <li>6. Ajuster les segments.</li> <li>7. Réparer ou remplacer au besoin.</li> <li>8. Remplacer</li> </ol>  |
| Le compresseur n'atteint pas sa vitesse de marche                 | <ol style="list-style-type: none"> <li>1. Poulie motrice ou volant de courroie mal serré, trop de jeu dans l'arbre moteur ou courroies d'entraînement lâches.</li> <li>2. Viscosité trop élevée du lubrifiant.</li> <li>3. Tension de ligne inadéquate.</li> <li>4. Fuites, bris ou accumulation de calamine dans les clapets du compresseur.</li> <li>5. Paliers à billes défectueux sur le vilebrequin ou l'arbre moteur.</li> </ol>  | <ol style="list-style-type: none"> <li>1. Vérifier le volant, la poulie motrice, le vilebrequin, la tension et l'alignement de la courroie d'entraînement. Réparer ou remplacer au besoin.</li> <li>2. Vidanger le lubrifiant actuel et le remplacer par un lubrifiant qui convient.</li> <li>3. Vérifier la tension de ligne et améliorer les lignes au besoin. Contacter un électricien.</li> <li>4. Inspecter les clapets. Les nettoyer ou les remplacer au besoin. Installer une trousse de rechange clapets et joints.</li> <li>5. Inspecter les paliers et les remplacer au besoin.</li> </ol>   |
| Le compresseur met trop de temps à atteindre sa vitesse de marche | <ol style="list-style-type: none"> <li>1. Viscosité trop élevée du lubrifiant.</li> <li>2. Fuite de la soupape de sûreté ou siège de soupape usé.</li> <li>3. La température de l'air ambiant est trop faible.</li> <li>4. Mauvais moteur.</li> </ol>   | <ol style="list-style-type: none"> <li>1. Vidanger le lubrifiant actuel et le remplacer par un lubrifiant qui convient.</li> <li>2. Remplacer la soupape de sûreté.</li> <li>3. Installer le compresseur dans un lieu plus chaud. Installer une trousse de chauffage du carter principal.</li> <li>4. Remplacer.</li> </ol>  |
| Le compresseur devient extrêmement chaud                          | <ol style="list-style-type: none"> <li>1. Ventilation insuffisante autour du volant de la courroie.</li> <li>2. Courroies d'entraînement trop lâches ou mal alignées.</li> <li>3. Fuites, bris ou accumulation de calamine dans les clapets du compresseur.</li> <li>4. Direction de rotation du volant à contre-voie.</li> </ol>   | <ol style="list-style-type: none"> <li>1. Déplacer le compresseur pour un débit d'air amélioré.</li> <li>2. Ajuster les courroies pour leur donner la tension et l'alignement qui convient.</li> <li>3. Inspecter les clapets. Les nettoyer ou les remplacer au besoin. Installer une trousse de rechange clapets et joints.</li> <li>4. Vérifier le câblage du moteur pour des connexions adéquates. Inverser deux conducteurs sur moteurs triphasés.</li> </ol>  |
| Bruit excessif à l'usage  | <ol style="list-style-type: none"> <li>1. Poulie motrice ou volant de courroie mal serré, trop de jeu dans l'arbre moteur ou courroies d'entraînement lâches.</li> <li>2. Viscosité trop élevée du lubrifiant.</li> <li>3. Niveau de lubrifiant trop faible.</li> <li>4. Fuites, bris ou accumulation de calamine dans les clapets du compresseur.</li> <li>5. Accumulation de calamine sur le fond des pistons.</li> <li>6. Paliers à billes défectueux sur le vilebrequin ou l'arbre moteur.</li> <li>7. Fuite de la soupape de sûreté ou siège de soupape usé.</li> </ol>  | <ol style="list-style-type: none"> <li>1. Vérifier le volant, la poulie motrice, le vilebrequin, la tension et l'alignement de la courroie d'entraînement. Réparer ou remplacer au besoin.</li> <li>2. Vidanger le lubrifiant actuel et le remplacer par un lubrifiant qui convient.</li> <li>3. Verser du lubrifiant dans le carter principal jusqu'au niveau requis.</li> <li>4. Inspecter les clapets. Les nettoyer ou les remplacer au besoin. Installer une trousse de rechange clapets et joints.</li> <li>5. Nettoyer les pistons. Les réparer ou les remplacer au besoin.</li> <li>6. Inspecter les paliers et les remplacer au besoin.</li> <li>7. Remplacer la soupape de sûreté.</li> </ol> |

| PROBLÈME  | CAUSE POSSIBLE  | SOLUTION POSSIBLE  |
|---|---|--|
| Arrêts et démarrages trop fréquents   | <ol style="list-style-type: none"> <li>1. Fuites d'air dans les canalisations de refoulement.</li> <li>3. Fuite de la soupape de sûreté ou siège de soupape usé.</li> <li>4. Trop de condensat dans le réservoir.</li> </ol>  | <ol style="list-style-type: none"> <li>1. Vérifier les tubes et les raccords.</li> <li>3. Remplacer la soupape de sûreté.</li> <li>4. Purger le réservoir à l'aide du purgeur manuel.</li> </ol>   |
| Consommation excessive d'huile  | <ol style="list-style-type: none"> <li>1. Filtre sale à l'aspiration et/ou au refoulement.</li> <li>2. Viscosité trop faible du lubrifiant.</li> <li>3. Le lubrifiant utilisé est du type à détergent.</li> <li>4. Segments de pistons endommagés ou usés (cassés, rugueux ou égratignés). Coupe ou dégagement latéral trop grand.</li> <li>5. Les segments sont hors de leur logement ou coincés dans leurs gorges ou leurs coupes ne sont pas décalées.</li> <li>6. Les cylindres ou les pistons sont égratignés, usés ou entaillés.</li> <li>7. Une bielle, un axe de piston ou des paliers du maneton sont usés ou entaillés.</li> <li>8. Le joint d'huile est usé ou le vilebrequin est entaillé.</li> <li>9. Paroi de cylindre usée.</li> </ol> | <ol style="list-style-type: none"> <li>1. Nettoyer ou remplacer.</li> <li>2. Vidanger le lubrifiant actuel et le remplacer par un lubrifiant qui convient.</li> <li>3. Vidanger le lubrifiant actuel et le remplacer par un lubrifiant qui convient.</li> <li>4. Installer une trousse de rechange segments et joints.</li> <li>5. Ajuster les segments.</li> <li>6. Réparer ou remplacer au besoin.</li> <li>7. Tout inspecter. Réparer ou remplacer au besoin.</li> <li>8. Remplacer le joint ou le vilebrequin.</li> <li>9. Roder le cylindre à l'aide d'un rodoir flexible de 180 grains.</li> </ol> |
| Cognements ou cliquetis   | <ol style="list-style-type: none"> <li>1. Poulie motrice ou volant de courroie mal serré, trop de jeu dans l'arbre moteur ou courroies d'entraînement lâches.</li> <li>2. Fuites, bris ou accumulation de calamine dans les clapets du compresseur.</li> <li>3. Accumulation de calamine sur le fond des pistons</li> <li>4. Les cylindres ou les pistons sont égratignés, usés ou entaillés.</li> <li>5. Une bielle, un axe de piston ou des paliers du maneton sont usés ou entaillés.</li> <li>6. Paliers à billes défectueux sur le vilebrequin ou l'arbre moteur.</li> </ol>   | <ol style="list-style-type: none"> <li>1. Vérifier le volant, la poulie motrice, le vilebrequin, la tension et l'alignement de la courroie d'entraînement. Réparer ou remplacer au besoin.</li> <li>2. Inspecter les clapets. Les nettoyer ou les remplacer au besoin. Installer une trousse de rechange clapets et joints.</li> <li>3. Nettoyer les pistons. Les réparer ou les remplacer au besoin.</li> <li>4. Réparer ou remplacer au besoin.</li> <li>5. Tout inspecter. Réparer ou remplacer au besoin.</li> <li>6. Inspecter les paliers et les remplacer au besoin.</li> </ol>                   |
| Les voyants clignotent ou s'affaiblissent lors du fonctionnement  | <ol style="list-style-type: none"> <li>1. Tension de ligne inadéquate.</li> <li>2. Câblage ou panneau de service électrique trop petit.</li> <li>3. Mauvais contact sur les bornes du moteur ou mauvaises connexions du démarreur.</li> <li>4. Mauvais réchauffeurs de surcharge du démarreur.</li> <li>5. Mauvais réglage du puissance (ligne déséquilibré).</li> </ol>  | <ol style="list-style-type: none"> <li>1. Vérifier la tension de ligne et améliorer les lignes au besoin. Contacter un électricien.</li> <li>2. Installer un fil ou boîte de service proprement dimensionné. Contacter un électricien.</li> <li>3. Assurer un contact adéquat sur les bornes du moteur ou les connexions du démarreur.</li> <li>4. Installer réchauffeurs de surcharge de démarreur adéquats. Contacter un électricien.</li> <li>5. Contacter la compagnie d'électricité.</li> </ol>   |
| Humidité dans le carter principal ou aspect laiteux du lubrifiant à base de pétrole ou rouille dans les cylindres | <ol style="list-style-type: none"> <li>1. Le lubrifiant utilisé est du type à détergent.</li> <li>2. Cycles de marche extrêmement légers.</li> <li>3. Le compresseur est situé dans un lieu humide.</li> </ol>  | <ol style="list-style-type: none"> <li>1. Vidanger le lubrifiant actuel et le remplacer par un lubrifiant qui convient.</li> <li>2. Faire fonctionner le compresseur par cycles plus longs.</li> <li>3. Déplacer le compresseur.</li> </ol>  |

| PROBLÈME  | CAUSE POSSIBLE   | SOLUTION POSSIBLE  |
|---|--|--|
| Surcharge du moteur se déclenche ou tire courant excessif | 1. Viscosité trop élevée du lubrifiant.  | 1. Vidanger le lubrifiant actuel et le remplacer par un lubrifiant qui convient.   |
|   | 2. Tension de ligne inadéquate.  | 2. Vérifier la tension de ligne et améliorer les lignes au besoin. Contacter un électricien.   |
|   | 3. Câblage ou panneau de service électrique trop petit.  | 3. Installer un fil ou boîte de service proprement dimensionné. Contacter un électricien.  |
|   | 4. Mauvais contact sur les bornes du moteur ou mauvaises connexions du démarreur.                                  | 4. Assurer un contact adéquat sur les bornes du moteur ou les connexions du démarreur.   |
|   | 5. Mauvais réchauffeurs de surcharge du démarreur.   | 5. Installer réchauffeurs de surcharge de démarreur adéquats. Contacter un électricien.  |
|   | 6. Mauvais réglage du puissance (ligne déséquilibré).  | 6. Contacter la compagnie d'électricité.   |
|   | 7. Courroies d'entraînement trop lâches ou mal alignées.   | 7. Ajuster les courroies pour leur donner la tension et l'alignement qui convient.   |
|   | 8. Fuites, bris ou accumulation de calamine dans les clapets du compresseur.                                       | 8. Inspecter les clapets. Les nettoyer ou les remplacer au besoin. Installer une trousse de rechange clapets et joints.                                      |
|   | 9. Les cylindres ou les pistons sont égratignés, usés ou entaillés.  | 9. Réparer ou remplacer au besoin.   |
|   | 10. Une bielle, un axe de piston ou des paliers du maneton sont usés ou entaillés.                                 | 10. Tout inspecter. Réparer ou remplacer au besoin.  |
|   | 11. Paliers à billes défectueux sur le vilebrequin ou l'arbre moteur.  | 11. Inspecter les paliers et les remplacer au besoin.  |
|   | 12. Fuite de la soupape de sûreté ou siège de soupape usé.   | 12. Remplacer la soupape de sûreté.  |
|   | 13. La température de l'air ambiant est trop faible.   | 13. Déplacer le compresseur dans un lieu plus chaud. Installer une trousse de chauffage du carter principal. Convertir l'appareil au lubrifiant synthétique. |
|   | 14. Mauvais moteur.  | 14. Remplacer  |
| Moteur ne démarre pas                                     | 1. Tension de ligne inadéquate.  | 1. Vérifier la tension de ligne et améliorer les lignes au besoin. Contacter un électricien.   |
|   | 2. Câblage ou panneau de service électrique trop petit.  | 2. Installer un fil ou boîte de service proprement dimensionné. Contacter un électricien.  |
|   | 3. Mauvais contact sur les bornes du moteur ou mauvaises connexions du démarreur.                                  | 3. Assurer un contact adéquat sur les bornes du moteur ou les connexions du démarreur.   |
|   | 4. Mauvais réchauffeurs de surcharge du démarreur.   | 4. Installer réchauffeurs de surcharge de démarreur adéquats. Contacter un électricien.  |
|   | 5. Mauvais moteur.   | 5. Remplacer   |
| De l'huile dans l'air de refoulement (pompage d'huile)    | 1. Viscosité trop faible du lubrifiant.  | 1. Vidanger le lubrifiant actuel et le remplacer par un lubrifiant qui convient.   |
|   | 2. Le lubrifiant utilisé est du type à détergent.  | 2. Vidanger le lubrifiant actuel et le remplacer par un lubrifiant qui convient.   |
|   | 3. Segments de pistons endommagés ou usés (cassés, rugueux ou égratignés). Coupe ou dégagement latéral trop grand. | 3. Installer une trousse de rechange segments et joints.   |
|   | 4. Les segments sont hors de leur logement ou coincés dans leurs gorges ou leurs coupes ne sont pas décalées.      | 4. Ajuster les segments.   |
|   | 5. Les cylindres ou les pistons sont égratignés, usés ou entaillés.  | 5. Réparer ou remplacer au besoin.   |
|   | 6. Paroi de cylindre usée.   | 6. Roder le cylindre à l'aide d'un rodoir flexible de 180 grains.  |
|   | 7. Trop de condensat dans le réservoir.  | 7. Purger le réservoir à l'aide du purgeur manuel.   |
| Fuite du joint d'huile                                    | 1. Le joint d'huile est usé ou le vilebrequin est entaillé.  | 1. Remplacer le joint ou le vilebrequin.   |
| La soupape de sûreté et de décharge crépite               | 1. Filtre sale à l'aspiration et/ou au refoulement.  | 1. Nettoyer ou remplacer.  |
|   | 2. Fuites, bris ou accumulation de calamine dans les clapets du compresseur.                                       | 2. Inspecter les clapets. Les nettoyer ou les remplacer au besoin. Installer une trousse de rechange clapets et joints.                                      |
|   | 3. Soupape de sûreté et de décharge défectueuse.   | 3. Remplacer   |

## GARANTIE

La société **Ingersoll Rand** garantit que l'équipement fabriqué et livré par les présentes ne comporte aucun défaut de matériel ou de malfaçon et ce pendant une période douze (12) mois à partir de la date de mise en service de l'équipement ou de dix-huit (18) mois à partir de la date de livraison, selon la première éventualité. Cette période de garantie s'appliquera à tout équipement, sauf les suivants : (A) dans le cas des compresseurs fonctionnant exclusivement avec le lubrifiant synthétique **Ingersoll Rand** pour compresseurs, le châssis nu du compresseur sera garanti pendant une période de vingt quatre (24) mois à partir de la date de mise en service de l'équipement ou de trente (30) mois à partir de la date de livraison, selon la première éventualité ; (B) les pièces de rechange seront garanties pendant six (6) mois à partir de la date de livraison. Si la société est avisée par écrit d'une violation des dispositions de la présente garantie à l'intérieur de la période requise, alors la société s'engage, à son gré, à y remédier soit en réparant correctement l'équipement, soit en fournissant une pièce de rechange FAB du point d'origine, pourvu que l'acheteur ait installé, exploité et entretenu l'équipement conformément aux pratiques acceptées de l'industrie et qu'il ait suivi les recommandations particulières de la société. Les accessoires et les équipements fournis par la société mais fabriqués par un tiers seront protégés par la garantie obtenue du tiers par **Ingersoll Rand** et ayant pu être cédée à l'acheteur. La société ne sera en aucun cas tenue responsable des réparations, des remplacements ou des réglages effectués à l'équipement ou du coût de main-d'œuvre engagé par l'acheteur sans l'autorisation écrite préalable de la société.

La société ne fait aucune garantie quant à la performance, exception faite des déclarations particulières faites dans sa proposition.

Les effets de la corrosion, de l'érosion ainsi que de l'usure normale sont explicitement exclus des protections assurées par la garantie. Si des garanties de performance ont été explicitement incluses, alors les obligations de la société seront limitées à assurer un correctif de la manière et durant la période précisée ci-dessus.

LA SOCIÉTÉ NE FAIT AUCUNE AUTRE GARANTIE OU DÉCLARATION DE QUELQUE SORTE QUE CE SOIT, DE NATURE IMPLICITE OU EXPLICITE, SAUF EN CE QUI CONCERNE LE TITRE, ET ELLE RENONCE PAR LES PRÉSENTES À TOUTE GARANTIE IMPLICITE DE QUALITÉ LOYALE ET MARCHANDE.

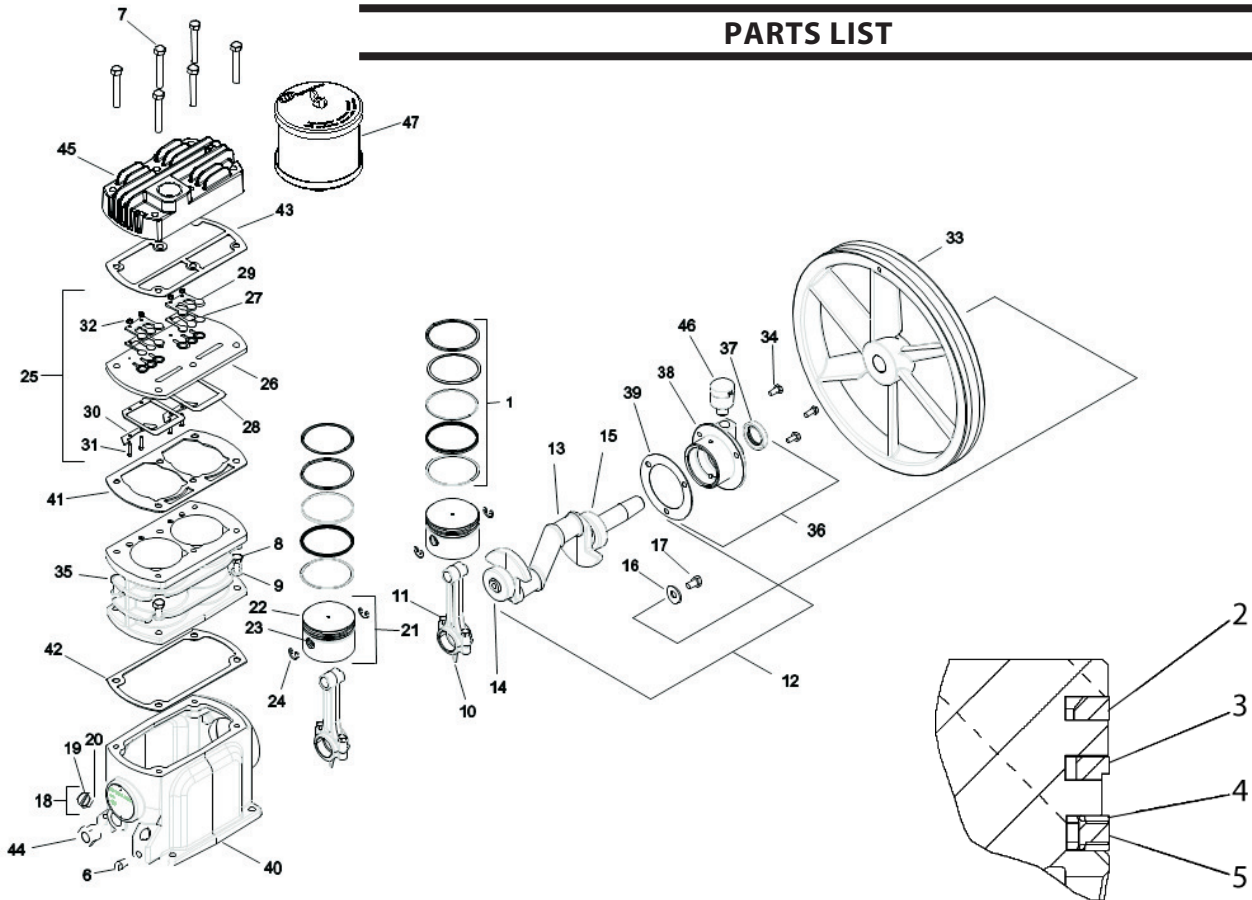
La correction par la société de tout vice, qu'il soit apparent ou caché, de la manière et pendant la période établis ci-dessus, constituera l'accomplissement de toutes les responsabilités de la société et de ses distributeurs en vertu de tout vice qui concerne l'équipement ou qui en découle.

## LIMITATION DE RESPONSABILITÉ

LES RECOURS DE L'ACHETEUR EN VERTU DE LA PRÉSENTE SONT EXCLUSIFS ET LA RESPONSABILITÉ TOTALE DE LA SOCIÉTÉ, DE SES DISTRIBUTEURS ET DE SES FOURNISSEURS EN CE QUI CONCERNE L'EXÉCUTION OU LA VIOLATION DU CONTRAT OU DE L'ÉQUIPEMENT ET DES SERVICES FOURNIS, OU EN CE QUI CONCERNE LA FABRICATION, LA VENTE, LA LIVRAISON, L'INSTALLATION, LA RÉPARATION OU LA DIRECTION TECHNIQUE PRÉVUE AU CONTRAT OU FOURNIE EN VERTU DE CE DERNIER, QUE CE SOIT EN VERTU D'UN CONTRAT, D'UNE GARANTIE, DE LA NÉGLIGENCE, D'UNE INDEMNISATION, DE LA RESPONSABILITÉ STRICTE OU AUTREMENT, NE POURRA PAS DÉPASSER LE PRIX D'ACHAT DE L'UNITÉ D'ÉQUIPEMENT SUR LAQUELLE LA RESPONSABILITÉ EST FONDÉE.

LA SOCIÉTÉ, SES DISTRIBUTEURS ET SES FOURNISSEURS NE SERONT DANS AUCUNE ÉVENTUALITÉ TENUS RESPONSABLES ENVERS L'ACHETEUR, SES AYANTS DROIT, SES BÉNÉFICIAIRES OU SES CESSIONNAIRES EN VERTU D'UN CONTRAT DES DOMMAGES-INTÉRÊTS INDIRECTS, ACCESSOIRES, FORTUITS, PARTICULIERS OU EXEMPLAIRES SURVENANT EN VERTU DU PRÉSENT CONTRAT OU DE SA VIOLATION OU D'UN DÉFAUT, D'UNE DÉFECTUOSITÉ OU D'UNE ANOMALIE DE L'ÉQUIPEMENT, QU'ILS SOIENT FONDÉS SUR LA PERTE DE JOUISSANCE, LA PERTE DE PROFITS OU DE REVENUS, L'INTÉRÊT, LA PERTE D'ACHALANDAGE, L'ARRÊT DU TRAVAIL, LES DOMMAGES À D'AUTRES BIENS, LES PERTES EN RAISON D'UN ARRÊT DE FONCTIONNEMENT, L'ACCROISSEMENT DES DÉPENSES D'EXPLOITATION, LE COÛT D'ACHAT D'UNE ALIMENTATION DE RECHANGE OU LES RÉCLAMATIONS DE CLIENTS OU D'ACHETEURS DE CLIENTS EN RAISON D'UNE INTERRUPTION DE SERVICE, PEU IMPORTE QUE TELLE PERTE OU QUE DE TELS DOMMAGES SOIENT FONDÉS SUR UN CONTRAT, UNE GARANTIE, UNE NÉGLIGENCE, UNE INDEMNITÉ, UNE RESPONSABILITÉ STRICTE OU AUTREMENT.

## PARTS LIST



| REF. NO.                 | PART NO. | DESCRIPTION | QTY.                                   | REF. NO. | PART NO.                 | DESCRIPTION | QTY.                                |                     |   |
|--------------------------|----------|-------------|--|----------|--------------------------|-------------|-------------------------------------|---------------------|---|
|                          | REF.     | 24172793    | PUMP, BARE COMPRESSOR                  | —        | 27                       | NSS         | ● VALVE, DISCHARGE                  | 2                   |   |
| X                        | 1        | 32307092    | SET, PISTON RING                       | 2        | 28                       | NSS         | ● VALVE, INLET                      | 2                   |   |
|                          | 2        | NSS         | ● RING, COMPRESSION                    | 1        | 29                       | NSS         | ● STOP, DISCHARGE                   | 2                   |   |
|                          | 3        | NSS         | ● RING, SCRAPER                        | 1        | 30                       | NSS         | ● RETAINER, INLET                   | 2                   |   |
|                          | 4        | NSS         | ● RING, OIL CONTROL SPACER             | 2        | 31                       | NSS         | ● SCREW, HEX HEAD — M3 X 16         | 4                   |   |
|                          | 5        | NSS         | ● RING, OIL CONTROL                    | 1        | 32                       | NSS         | ● NUT, HEX — M3 W/LOCKWASHER        | 4                   |   |
|                          | 6        | 95033585    | PLUG, OIL DRAIN                        | 1        | 33                       | 97330492    | BELT WHEEL                          | 1                   |   |
|                          | 7        | 96715784    | CAPSCREW, M8 X 55 (HEAD BOLT)          | 6        | 34                       | 97330500    | CAPSCREW, M6 X 14 (END COVER BOLTS) | 3                   |   |
|                          | 8        | 96716113    | CAPSCREW, M8 X 20 (CYLINDER BOLT)      | 4        | 35                       | 97330625    | CYLINDER                            | 1                   |   |
|                          | 9        | 96728316    | WASHER, SPRING — M8                    | 4        | 36                       | 97338073    | ASSEMBLY, END COVER — SERVICE       | 1                   |   |
|                          | 10       | 97330427    | ASSEMBLY, CONNECTING ROD               | 2        | 37                       | 32204521    | ● SEAL, SHAFT                       | 1                   |   |
|                          | 11       | 96715321    | ● CAPSCREW, M6 X 30                    | 2        | 38                       | NSS         | ● COVER, END                        | 1                   |   |
|                          | 12       | 97338081    | ASSEMBLY, CRANKSHAFT — SERVICE         | 1        | 39                       | 97331227    | ● GASKET, END COVER                 | 1                   |   |
|                          | 13       | NSS         | ● CRANKSHAFT                           | 1        | 40                       | 97330641    | FRAME, COMPRESSOR                   | 1                   |   |
|                          | 14       | NSS         | ● BEARING, MAIN                        | 1        | <input type="checkbox"/> | 41          | 24365934                            | GASKET, VALVE PLATE | 1 |
|                          | 15       | NSS         | ● BEARING, BALL                        | 1        | X                        | 42          | 97330666                            | GASKET, CYLINDER    | 1 |
|                          | 16       | 54375977    | ● WASHER, M8                           | 1        | <input type="checkbox"/> | 43          | 54571609                            | GASKET, HEAD        | 1 |
|                          | 17       | 54440045    | ● CAPSCREW, M8 X 20 — LEFT HAND THREAD | 1        |                          | 44          | 97330682                            | GLASS, SIGHT        | 1 |
|                          | 18       | 49812050    | ASSEMBLY, OIL FILL PLUG                | 1        |                          | 45          | 24160970                            | HEAD                | 1 |
|                          | 19       | NSS         | ● PLUG, OIL FILL                       | 1        |                          | 46          | 70243936                            | ASSEMBLY, VENT      | 1 |
|                          | 20       | 95024394    | ● O-RING, OIL FILL PLUG                | 1        |                          | 47          | 32170953                            | FILTER, INLET       | 1 |
|                          | 21       | 97330468    | ASSEMBLY, PISTON & PIN                 | 2        | NI                       | 32170979    | ● ELEMENT, FILTER                   | 1                   |   |
|                          | 22       | NSS         | ● PISTON                               | 1        | 48                       | 96739867    | WASHER, M8                          |                     |   |
|                          | 23       | NSS         | ● PIN, PISTON                          | 1        |                          |             |                                     |                     |   |
|                          | 24       | NSS         | ● RING, LOCK                           | 2        |                          |             |                                     |                     |   |
| <input type="checkbox"/> | 25       | 97330484    | ASSEMBLY, VALVE                        | 1        |                          |             |                                     |                     |   |
|                          | 26       | NSS         | ● PLATE, VALVE                         | 1        |                          |             |                                     |                     |   |

NSS NOT SOLD SEPARATELY  
 AVAILABLE INDIVIDUALLY OR IN VALVE KIT 97338107  
X AVAILABLE INDIVIDUALLY OR IN PISTON RING KIT 97338115

## ■ ASSEMBLY NOTES

### ■ VALVE PLATE ASSEMBLY

1. Coat threads of valve plates, screws and hex nuts with Loctite 7471 Primer T. Allow to dry.
2. Add one drop Loctite 2760 to threads of each screw before installing.
3. Immediately install screws into valve plate.
4. Add one drop Loctite 2760 to each screw before installing hex nuts.
5. Torque screws and nuts to 11-15 in-lb.

### ■ PISTON RING ASSEMBLY

- Scraper ring is marked with orange stripe.
- Compression ring is marked with white stripe.
- Install rings with paint stripe to the left of gap in piston ring and pip mark toward top of piston.

### ■ CONNECTING ROD ASSEMBLY

- Torque capscrews to 82-86 in-lb when assembling on crankshaft.

1  
2  
3  
4  
5

**WARNING**

**ADVERTENCIA**

**AVERTISSEMENT**

**WARNING/ADVERTENCIA/AVERTISSEMENT**

**WARNING/ADVERTENCIA/AVERTISSEMENT**

**NOTICE**

**AVIS**

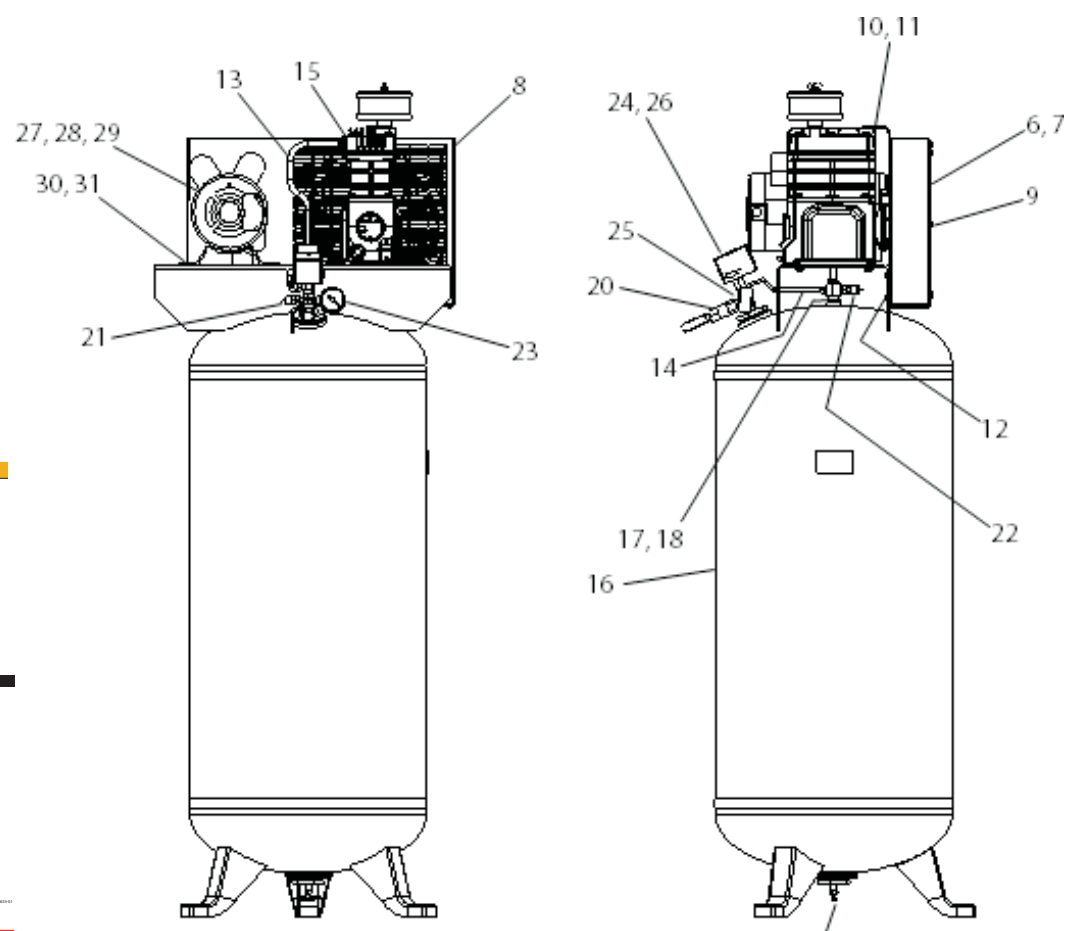
**NOTICE**

**AVIS**

**AVISO**

**AVISO**

**DANGER / PELIGRO / DANGER**



| REF. NO.                   | PART NO. | DESCRIPTION   | QTY. |
|----------------------------|----------|---|------|
| <b>DECAL GROUP</b>         |          |   |      |
| 1                          | 23482383 | DECAL, GENERAL WARNINGS                                   | 1    |
| 2                          | 56276652 | DECAL, HOT SURFACE WARNING                                | 1    |
| 3                          | 32017451 | DECAL, VOLTAGE - 230/1/60                                 | 1    |
| 4                          | 56289655 | TAG, COMPRESSOR OIL                                       | 1    |
| 5                          | 54653662 | DECAL, INTAKE AIR DANGER                                  | 1    |
| <b>BELTGUARD GROUP</b>     |          |   |      |
| 6                          | 54459508 | FRONT, BELTGUARD  | 1    |
| 7                          | 24362287 | DOT, FELT   | 7    |
| 8                          | 54459516 | BACK, BELTGUARD   | 1    |
| 9                          | 97173595 | CAPSCREW, SELF TAP - 1/4-20 X 1/2                         | 15   |
| 10                         | 56280159 | SCREW, SERRATED HEX FLANGE - M6-1.0 X 12 MM               | 1    |
| 11                         | 56269574 | BRACE, BELTGUARD  | 1    |
| 12                         | 56290794 | SCREW, INDENTED HEX WASHER HEAD - 5/16-18 X 1.25          | 4    |
| <b>TUBE/FITTINGS GROUP</b> |          |   |      |
| 13                         | 97336127 | ASSEMBLY, DISCHARGE TUBE                                  | 1    |
| 14                         | 46818548 | ASSEMBLY, PRESSURE SWITCH TUBE                            | 1    |
| 15                         | 95083192 | CONNECTOR, MALE - 1/2 T X 3/8 INVERTED FLARE TUBE FITTING | 1    |

| REF. NO.              | PART NO. | DESCRIPTION                                 | QTY. |
|-----------------------|----------|---|------|
| <b>RECEIVER GROUP</b> |          |   |      |
| 16                    | 32336042 | RECEIVER                                    | 1    |
| 17                    | 32157448 | BUSHING, FLUSH - 3/4 X 1/2                  | 1    |
| 18                    | 56269590 | VALVE, CHECK - 1/2 NPT X 1/2 INVERTED FLARE | 1    |
| 19                    | 32027120 | VALVE, MANUAL DRAIN - 1/4 IN                | 1    |
| 20                    | 32106551 | VALVE,BALL - 1/2 IN                         | 1    |
| 21                    | 97171664 | VALVE, RELIEF - 1/8 IN NPT 150 PSIG         | 1    |
| 22                    | 54381348 | VALVE, RELIEF - 1/8 IN NPT 160 PSIG         | 1    |
| 23                    | 23127715 | GAUGE, PRESSURE                             | 1    |
| 24                    | 23474661 | SWITCH, PRESSURE                            | 1    |
| 25                    | 56269624 | FITTING, MANIFOLD                           | 1    |
| 26                    | 97004030 | CONNECTOR, CORD                             | 1    |
| <b>MOTOR GROUP</b>    |          |   |      |
| 27                    | 24161143 | SET, SHEAVE                                 | 1    |
| 28                    | 95099404 | BELT  | 1    |
| 29                    | 23378805 | MOTOR                                       | 1    |
| 30                    | 32175556 | CAPSCREW, 3/8-16 X 1 SERRATED WASHER HEAD   | 4    |
| 31                    | 54370523 | NUT, 3/8 IN - CONICAL KEPS                  | 4    |



# NOTES

# NOTES

# NOTES

