



Parts List

for Model 2000P Air Compressor Pump

GENERAL INFORMATION

This manual contains an illustrated breakdown of the pump into assemblies, subassemblies and detail parts required for maintenance and repair. Please retain this manual for reference.

COLUMNS

Each parts list is divided into the following columns:

KIT CODE. This column identifies the parts that are included in one or more Step Saver Kits. Step Saver Kits provide all of the parts required to perform common repair tasks such as piston ring replacement or valve replacement.

The following characters might appear in the KIT CODE column.

- V = Parts included in Valve/Gasket Kit. These kits contain valve wearing parts and head gaskets that are destroyed in replacing valve parts.
- R = Parts included in Ring/Gasket Kit. These kits contain a complete set of piston rings and gaskets that are destroyed in breaking the unit down to replace the rings.
- B = Parts included in Bearing/Gasket Kit. These kits contain a complete set of bearings, seals and gaskets that are destroyed in breaking the unit down to replace the bearings.

REF. NO. (REFERENCE NUMBER). This column lists the call-out number on the illustration which identifies that item.

The following abbreviations might appear in the REFERENCE NUMBER column:

- NI = Not Illustrated.
- REF = Reference Only. You may be referred to a figure and page noted in the Description column.

Additional abbreviations or symbols used are defined on the same page in which they appear.

DESCRIPTION. The DESCRIPTION column identifies items by standard name (nomenclature) and modifiers. The modifiers are used to identify specific characteristics (dimensions, capacity, pressure setting, etc.), and/or the particular location or function on

the unit. The relationship of a subassembly or component part to higher assemblies is shown by "bullet" (•) symbols. Assemblies which are broken down in separate lists and illustrations show the appropriate figure number and page reference after the item description. Always provide the part description when ordering.

QTY. (QUANTITY). Quantities listed in this column reflect the number of each item used in the next higher assembly, and are not necessarily the total quantity of the part used on the unit. Specify the desired quantity when ordering.

PART NO. (PART NUMBER). Items listed in this column bear Ingersoll-Rand part numbers. Specify the part number when ordering spare or replacement parts.

The following abbreviations or symbols might appear in the PART NUMBER column:

- NSS = Not Sold Separately. Such items must be ordered as part of the next higher assembly or, where applicable, as part of a Step Saver Kit.
- ** = Part number will vary. Contact Ingersoll-Rand for details.

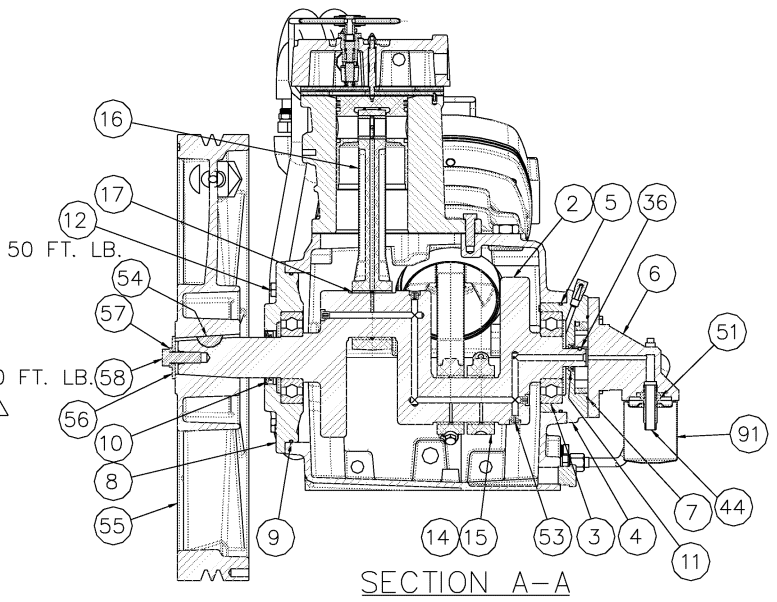
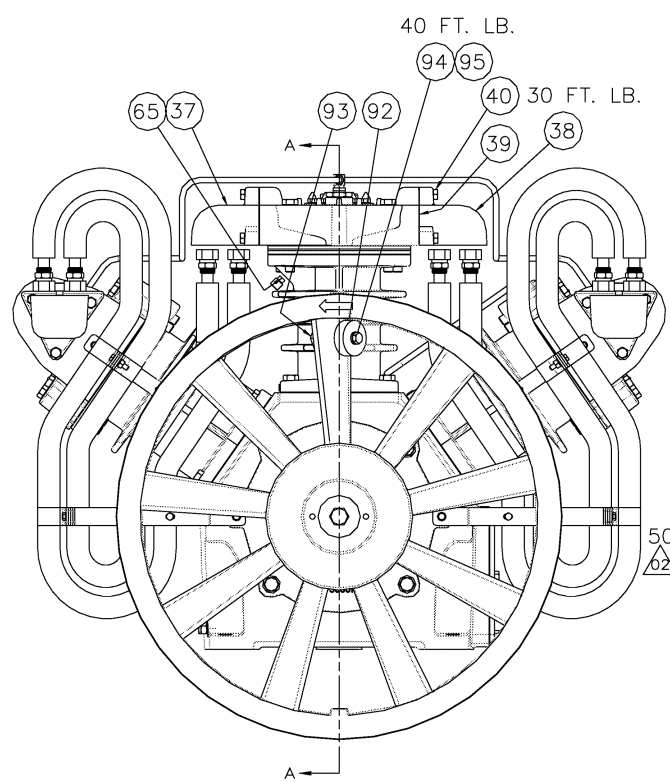
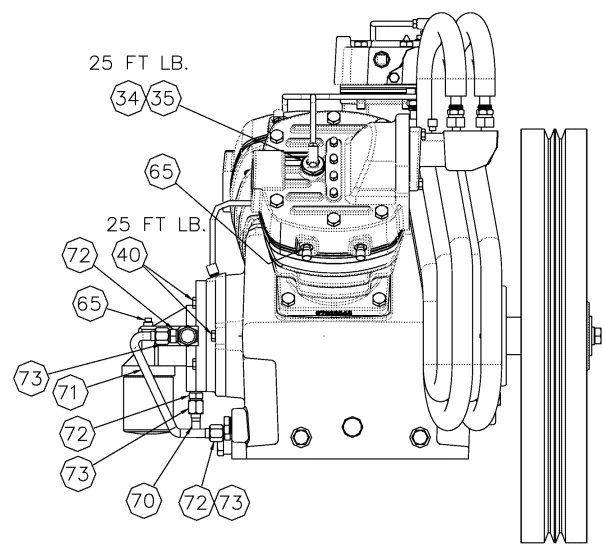
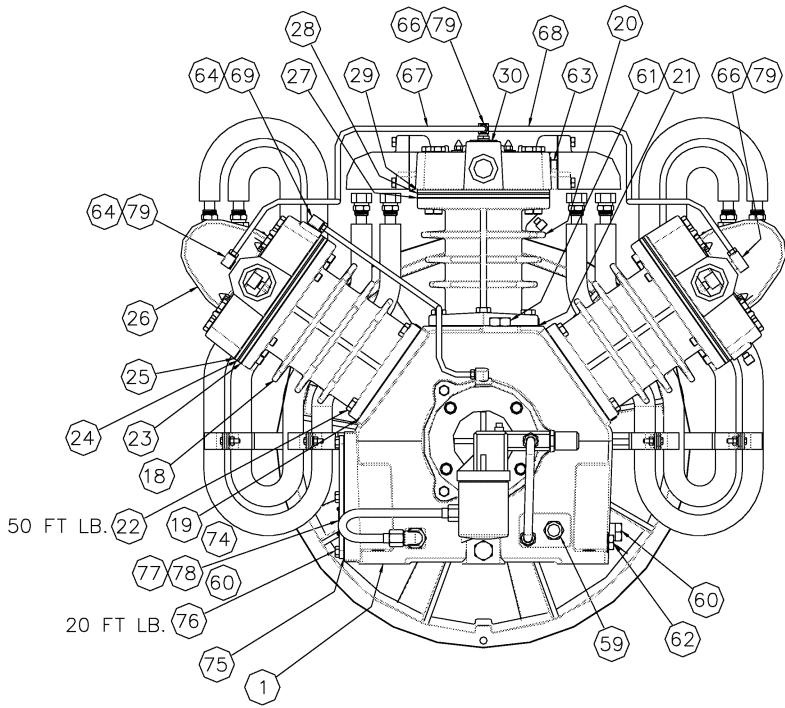
Additional abbreviations or symbols used are defined on the same page in which they appear.

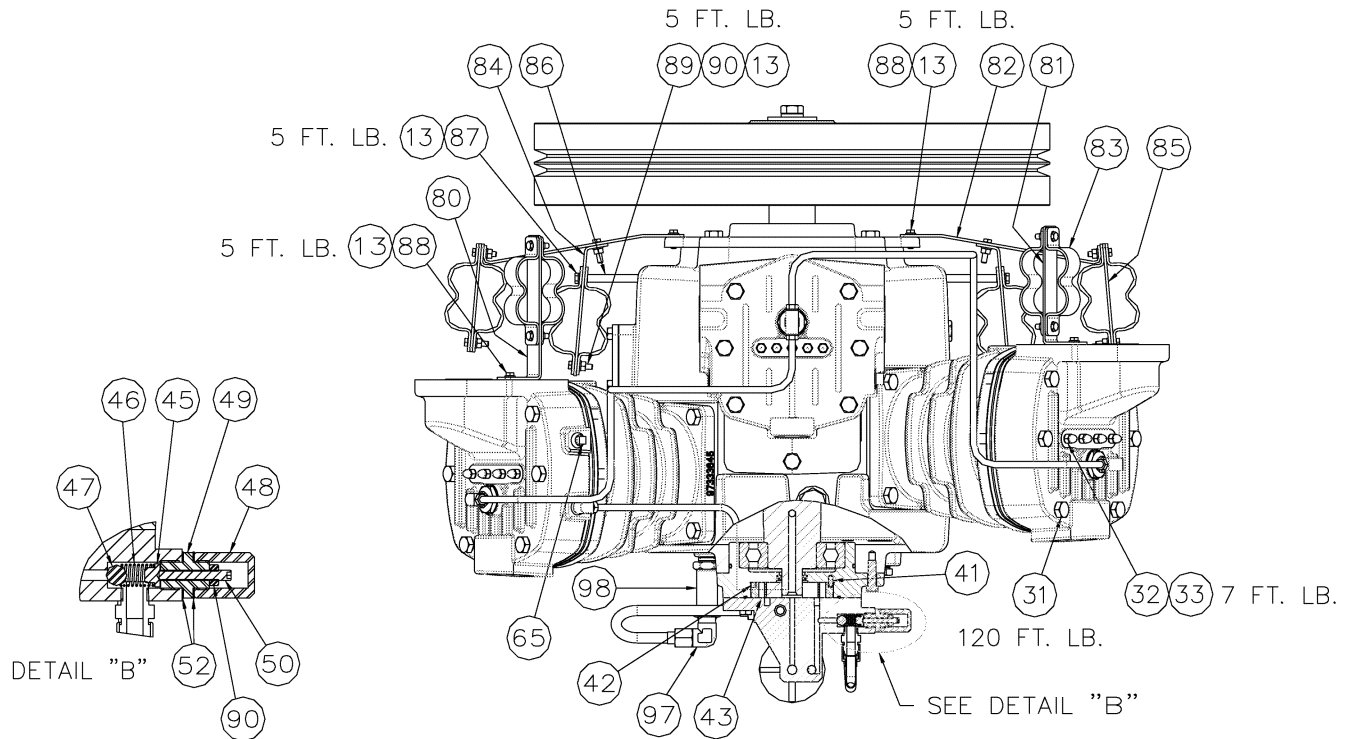
ORDERING INSTRUCTIONS

All parts listed in this manual can be ordered through your local Ingersoll-Rand Air Center or Distributor. To find the Air Center or Distributor in your area, consult the Directory of Distributors included with the unit, call **1-800 AIR SERV** or visit our website at <http://www.air.ingersoll-rand.com> for information.

When ordering, provide the following information:

- The **model number** and **serial number** stamped on the unit nameplate.
- The **form number** of this manual, as indicated in the lower right-hand corner of the front cover.
- The **quantity, description, and part number** of the part(s) you are ordering.



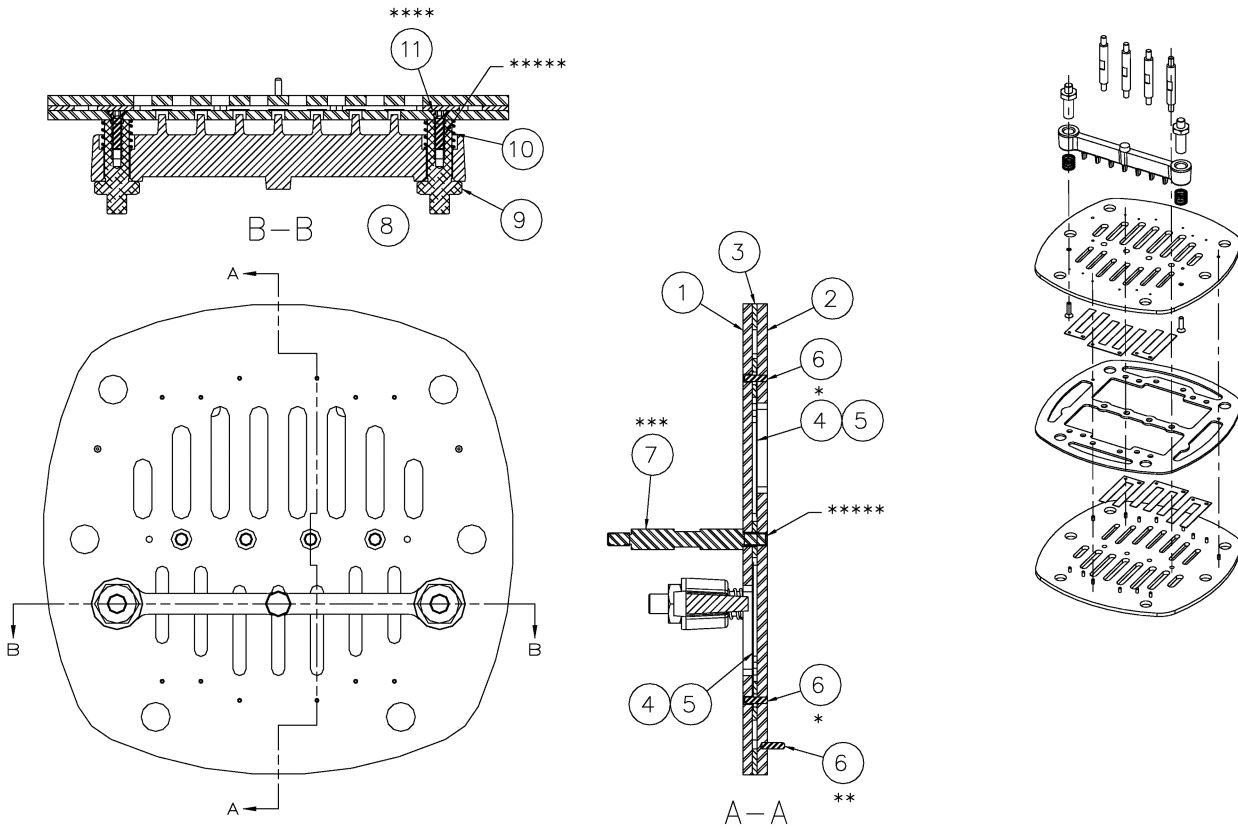


NOTE: INTERCOOLER SUB-ASSEMBLIES ARE REMOVED FROM THIS VIEW FOR CLARITY.

KIT CODE	ITEM#	PART#	DESCRIPTION	QTY.	KIT CODE	ITEM#	PART#	DESCRIPTION	QTY.
	1	56286438	FRAME, COMPRESSOR	1	53	95049359	PLUG, PIPE — 1/8	4	
	2	85585354	CRANKSHAFT, COMPLETE (SEE NOTE)	1	54	95083721	KEY, WOODRUFF — 5/16 X 1-1/2	1	
B	3	NSS	● BEARING, BALL	2	55	97337273	BELT WHEEL	1	
	4	54514690	HOUSING, BEARING/GEROTOR	1	56	56268923	WASHER, BELT WHEEL	1	
B	5	95023404	O-RING, BEARING/GEROTOR HOUSING	1	57	95081790	LOCKWASHER, SPRING — 5/8	1	
	6	54517883	HOUSING, OIL FILTER	1	58	95373585	CAPSCREW, HEX — 5/8-11 X 1.75	1	
	7	95023115	O-RING, OIL FILTER HOUSING	1	59	97330245	SIGHTGLASS, OIL — 1 NPT	1	
	8	97333900	COVER, FRAME END	1	60	95200333	PLUG, PIPE — 3/4 NPT	3	
	9	95041919	O-RING, FRAME END COVER	1	61	39498522	PLUG, OIL FILL	1	
	10	56260607	SEAL, OIL	1	62	95344651	PLUG, PIPE — 1/2 NPT	2	
	11	39329578	SEAL, OIL PUMP	1	63	95033619	PLUG, PIPE — 1/2	1	
	12	95053047	CAPSCREW, HEX — 1/2-13 X 1-1/4	4	64	95110441	ELBOW, TUBE — 5/16 T X 1/4 NPT	3	
	13	95043196	LOCKWASHER, SPRING — 1/4	18	65	95033593	PLUG, PIPE — 1/4	5	
	14	20104105	ASSEMBLY, PISTON/ROD — L.P. (SEE PAGE 6)	2	66	95369815	TEE, TUBE — 5/16 T X 1/4 NPT	2	
	15	97333959	BEARING, INSERT — L.P.	4	67	97338800	TUBE ASSEMBLY, HEAD UNLOADER	3	
	16	20104113	ASSEMBLY, PISTON/ROD — H.P. (SEE PAGE 7)	1	68	97338818	TUBE ASSEMBLY, HEAD UNLOADER	1	
	17	97333967	BEARING, INSERT — H.P.	2	69	20104121	TUBE ASSEMBLY, CRANKCASE VENT	1	
	18	97333918	CYLINDER, LOW PRESSURE	2	70	54526231	TUBE ASSEMBLY, OIL PUMP SUCTION	1	
	19	97334460	GASKET, CYLINDER/FRAME — L.P.	2	71	54517891	TUBE ASSEMBLY, PRESSURE RELIEF	1	
	20	97333926	CYLINDER, HIGH PRESSURE	1	72	95101143	CONNECTOR, MALE 37° FLARE TUBE — 1/2	4	
	21	97334486	GASKET, CYLINDER/FRAME — H.P.	1	73	95417507	NIPPLE	1	
	22	95104170	CAPSCREW, HEX — 1/2-13 X 1-1/2	13	74	85584134	ASSEMBLY, FRAME SIDE COVER	3	
V	23	54387733	GASKET, VALVE PLATE/CYLINDER — L.P.	2	75	56289002	GASKET, SIDE COVER	1	
	24	20100210	ASSEMBLY, VALVE PLATE — L.P. (SEE PAGE 4)	2	76	95103743	CAPSCREW, HEX — 3/8-16 X 3/4	10	
V	25	56284490	GASKET, HEAD — LOW PRESSURE	2	77	54398730	NAMEPLATE	1	
	26	56280480	HEAD, LOW PRESSURE	2	78	95987525	STUD, DRIVE	4	
V	27	54387741	GASKET, VALVE PLATE/CYLINDER — H.P.	1	79	95038147	BUSHING, REDUCING — 3/8 X 1/4	3	
	28	20100228	ASSEMBLY, VALVE PLATE — H.P. (SEE PAGE 5)	1	80	54405485	BRACE, HEAD/INTERCOOLER — LEFT	1	
V	29	56284508	GASKET, HEAD — HIGH PRESSURE	1	81	54405493	BRACE, HEAD/INTERCOOLER — RIGHT	1	
	30	56280498	HEAD, HIGH PRESSURE	1	82	54405501	BRACE, INTERCOOLER — BOTTOM	2	
	31	95717385	CAPSCREW, HEX — 1/2-13 X 3.75	18	83	54405519	CLAMP, INTERCOOLER TUBE	12	
V	32	32255903	GASKET, COPPER WASHER — 1/4	13	84	54405527	BRACE, BOTTOM INTERCOOLER — INSIDE	2	
	33	56286248	NUT, ACORN — 1/4-28	13	85	54405535	BRACE, BOTTOM INTERCOOLER — OUTSIDE	2	
	34	97339568	ASSEMBLY, UNLOADER BODY	3	86	54405543	SPACER, INTERCOOLER MOUNTING BRACE	2	
V	35	95744322	GASKET, COPPER WASHER	3	87	95052908	CAPSCREW, HEX — 1/4-20 X 3-1/2	2	
	36	95301305	BALL, 3/16 DIAMETER	1	88	95079802	CAPSCREW, HEX — 1/4-20 X 3/4	4	
	37	97338628	ASSEMBLY, INTERCOOLER RIGHT (SEE PAGE 9)	1	89	95079893	CAPSCREW, HEX — 1/4-20 X 1	12	
	38	97338636	ASSEMBLY, INTERCOOLER LEFT (SEE PAGE 8)	1	90	95077681	NUT, HEX — 1/4-20	13	
V	39	56285570	GASKET, INTERCOOLER MANIFOLD	4	91	32305674	FILTER, OIL	1	
	40	95035358	CAPSCREW, HEX 3/8-16 X 1.25	19	92	54455324	WEIGHT, BELT WHEEL — DISK	1	
	41	95002747	PIN, DOWEL, 3/16 — 1/2 LONG	1	93	54455316	WEIGHT, BELT WHEEL — HEX	1	
	42	39329388	RING, ECCENTRIC REVERSING	1	94	95101713	CAPSCREW, HEX 3/8-16 X 2	1	
	43	39329396	GEAR, INTERNAL SET	1	95	95081857	LOCKWASHER, SPRING — 3/8	1	
	44	30179220	ADAPTER, OIL FILTER	1	96	95257358	NUT	2	
	45	39331699	SEAT, RELIEF VALVE SPRING	1	97	95257289	ELBOW	1	
	46	30508741	SPRING, RELIEF VALVE	1	98	38003158	STRAINER	1	
	47	95226627	BALL, RELIEF VALVE	1					
	48	39329412	CAP, OIL PUMP	1					
	49	39329404	CAP, PRESSURE RELIEF	1					
	50	95065983	SETScrew, 1/4-20 UNC — 1-3/4	1					
	51	95245296	NUT, HEX JAM 3/4-16	1					
	52	95981239	WASHER, COPPER	2					

NOTE: A complete crankshaft service assembly (Part No. 85585354) includes Ref. No. 2, 3, 5, 8, 9, 10, 36, 54, 56, 57, 58.

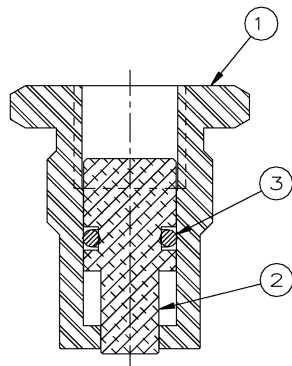
Low Pressure Valve Plate Assembly



NOTES

- * Press the dowel pins (Ref. No. 6) into the discharge valve plate (Ref. No. 2) flush with the bottom of the discharge valve plate (Ref. No. 2).
- ** Press dowel pin (Ref. No. 6) into the bottom side of the discharge valve plate (Ref. No. 2) until the dowel pin (Ref. No. 5) bottoms out in the blind hole.
- *** Torque the valve plate studs (Ref. No. 7) to 7 Ft. Lb.
- **** Torque the capscrews (Ref. No. 11) to 36 In. Lb.
- ***** Apply Loctite 262 or equivalent to threads.

KIT CODE	REF. NO.	PART NO.	DESCRIPTION	QTY.
	REF.	20100210	ASSEMBLY, VALVE PLATE — L. P.	
V	1	54422720	● PLATE, VALVE — L.P. INLET	1
V	2	54422738	● PLATE, VALVE — L.P. DISCHARGE	1
V	3	56284516	● GASKET, L.P. VALVE PLATE SPACER	1
V	4	97334023	● VALVE, THREE-FINGER	2
V	5	97334031	● VALVE, TWO-FINGER	4
V	6	56267818	● PIN, DOWEL — 1/8 X 7/16	15
	7	56285562	● STUD, VALVE PLATE — 1/4-28	4
	8	56282304	● FORK, UNLOADER — SEVEN-FINGER	1
	9	56282312	● GUIDE, UNLOADER FORK	2
	10	56283765	● SPRING, UNLOADER FORK	2
	11	95369698	● CAPSCREW, HEX SOCKET	2

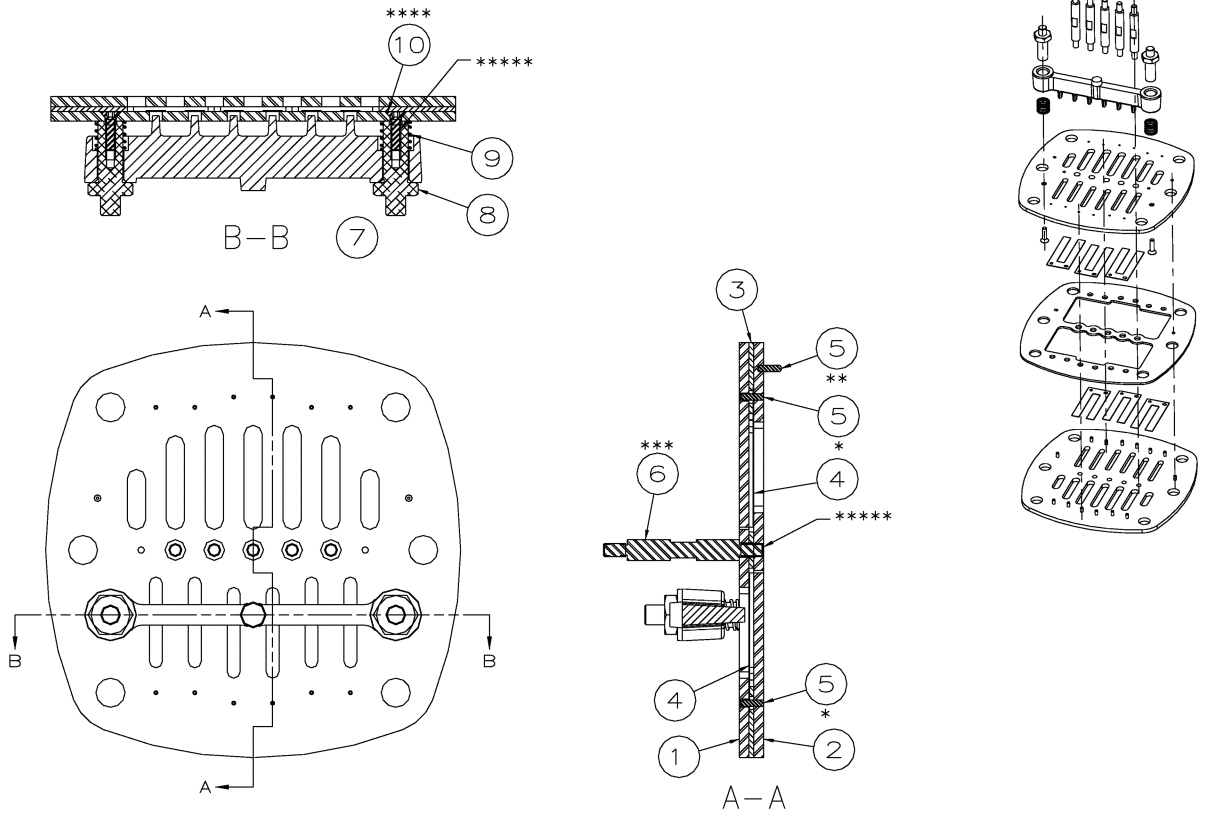


KIT CODE	REF. NO.	PART NO.	DESCRIPTION	QTY.
	REF.	97339568	ASSEMBLY, UNLOADER BODY	
	1	54392469	● BODY, UNLOADER	1
	2	54392451	● PISTON, UNLOADER	1
	3	54392337	● O-RING, UNLOADER PISTON	1

NOTES

- Apply high temperature silicone grease to O-ring (Ref. No. 3).

High Pressure Valve Plate Assembly

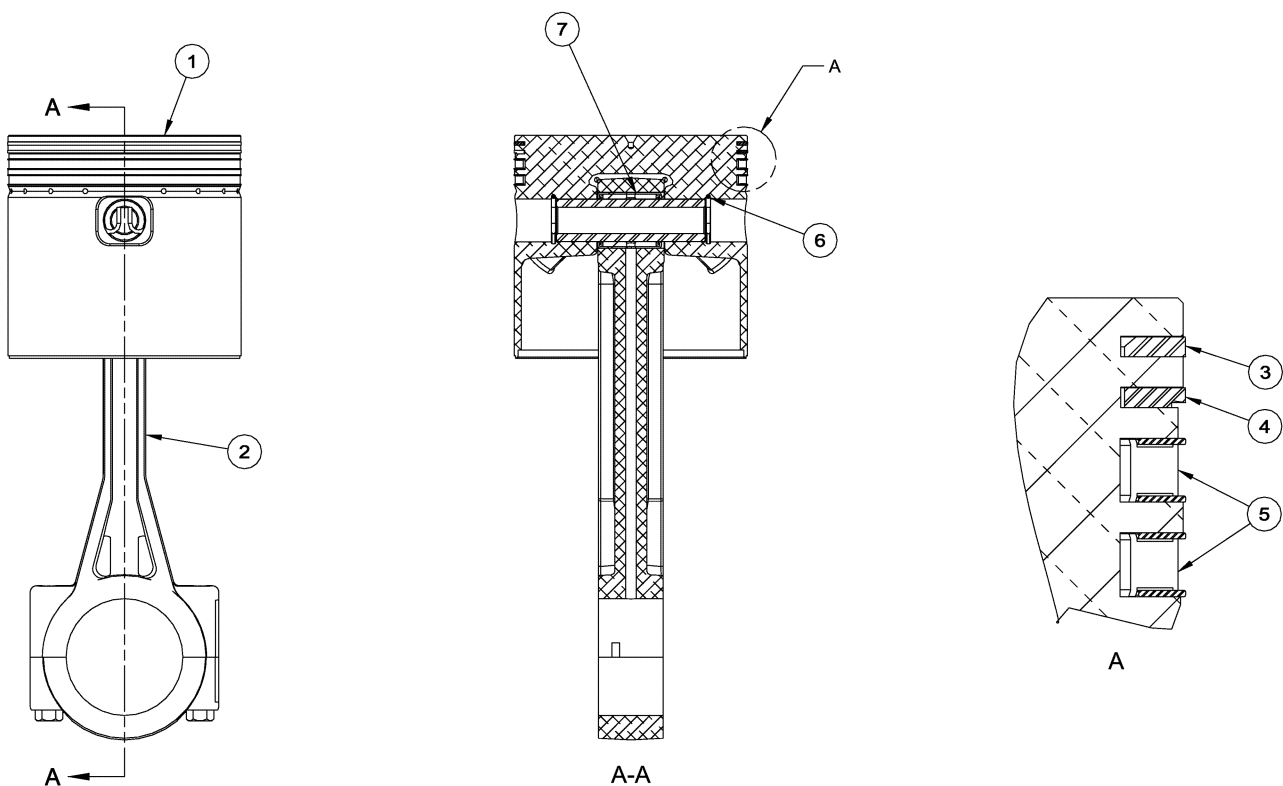


NOTES

- * Press the dowel pins (Ref. No. 5) into the discharge valve plate (Ref. No. 2) flush with the bottom of the discharge valve plate (Ref. No. 2).
- ** Press dowel pin (Ref. No. 5) into the bottom side of the discharge valve plate (Ref. No. 2) until the dowel pin (Ref. No. 5) bottoms out in the blind hole.
- *** Torque the valve plate studs (Ref. No. 6) to 7 Ft. Lb.
- **** Torque the capscrews (Ref. No. 10) to 36 In. Lb.
- ***** Apply Loctite 262 or equivalent to threads.

KIT CODE	REF. NO.	PART NO.	DESCRIPTION	QTY.
	REF.	20100228	ASSEMBLY, VALVE PLATE — H. P.	
V	1	54422746	● PLATE, VALVE — H.P. INLET	1
V	2	54422761	● PLATE, VALVE — H.P. DISCHARGE	1
V	3	97334114	● GASKET, H.P. VALVE PLATE SPACER	1
V	4	97334031	● VALVE, TWO-FINGER	6
V	5	56267818	● PIN, DOWEL — 1/8 X 7/16	15
	6	56285562	● STUD, VALVE PLATE — 1/4-28	5
	7	56282296	● FORK, UNLOADER — SIX-FINGER	1
	8	56282312	● GUIDE, UNLOADER FORK	2
	9	56283765	● SPRING, UNLOADER FORK	2
	10	95389698	● CAPSCREW, HEX SOCKET	2

Low Pressure Piston/Connecting Rod Assembly

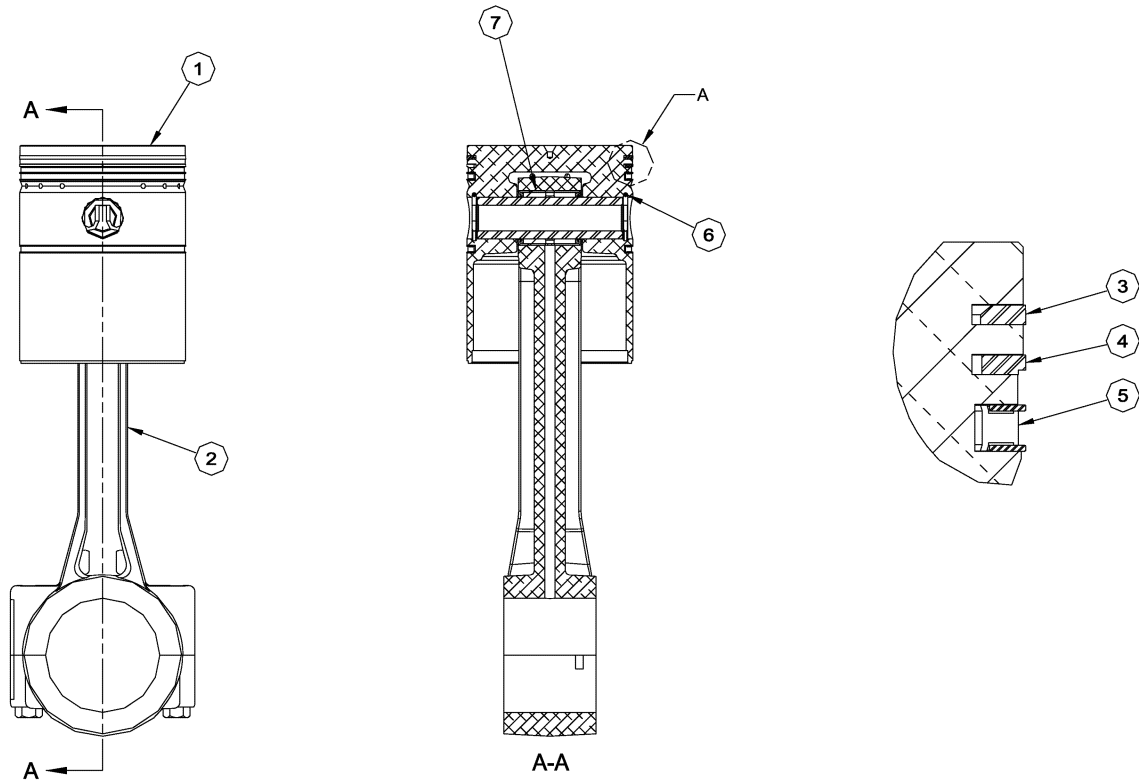


NOTES

- Install Compression Ring (Ref. No. 4) and Scraper Ring (Ref. No. 5) with the mark on the rings facing up.
- Low Pressure Piston Rings (Ref. No. 4-6) are available in Ring Set 20103123. Individual rings are not sold separately.

KIT CODE	REF. NO.	PART NO.	DESCRIPTION	QTY.
	NSS		ASSEMBLY, PISTON/CONNECTING ROD — L. P.	
	REF. 1	49814940	● ASSEMBLY, PISTON/PIN — L.P.	1
	2	54514013	● ROD, CONNECTING — L.P.	1
B	3	85583102	● BEARING, NEEDLE	1
D	4	NSS	● RING, COMPRESSION	1
R	5	NSS	● RING, SCRAPER	1
R	6	NSS	● RING, OIL CONTROL SET	1
B	7	30287791	● RING, LOCK	2

High Pressure Piston/Connecting Rod Assembly

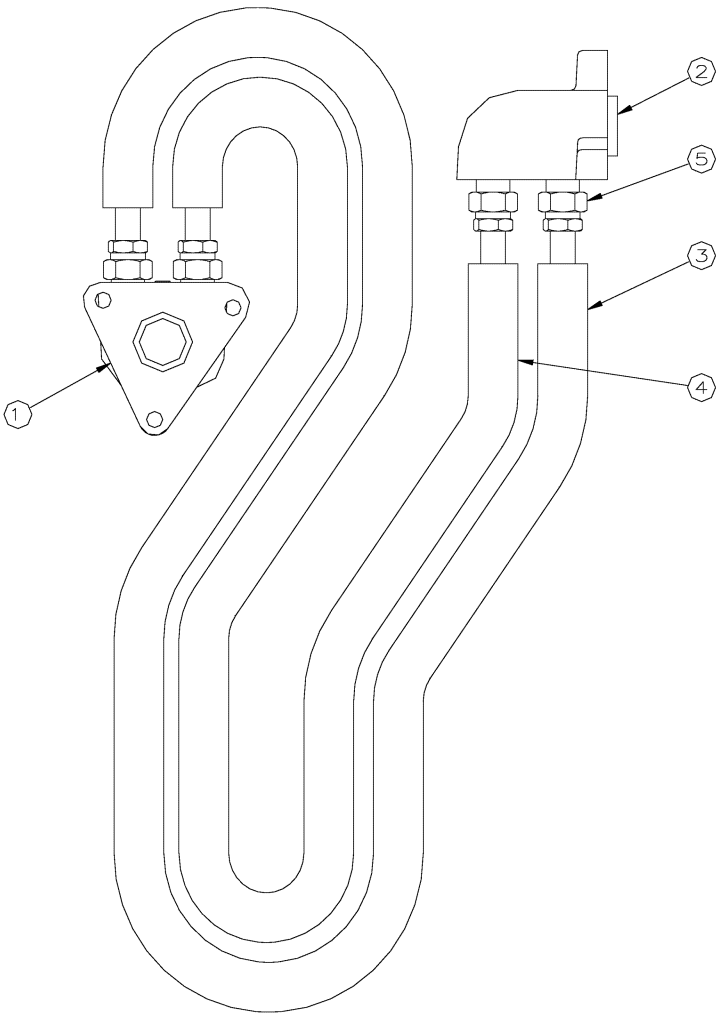
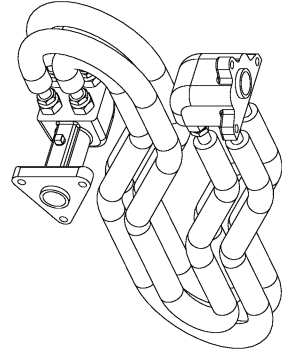
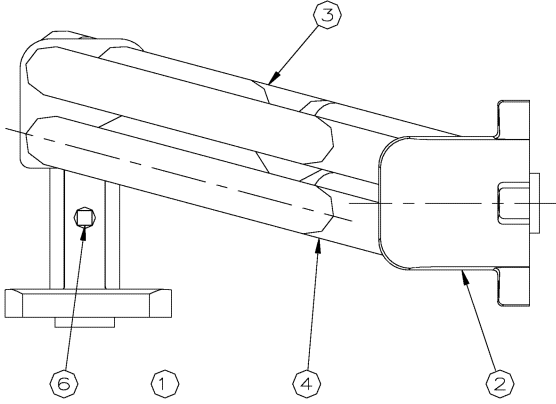


NOTES

- Install Compression Ring (Ref. No. 4) and Scraper Ring (Ref. No. 5) with the mark on the rings facing up.
- High Pressure Piston Rings (Ref. No. 4-6) are available in Ring Set 20103131. Individual rings are not sold separately.

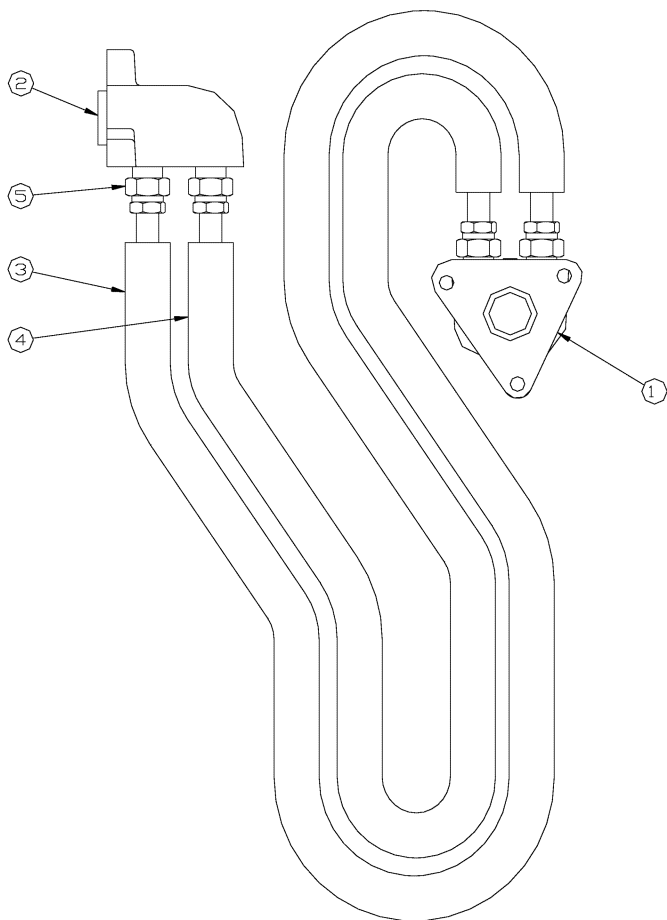
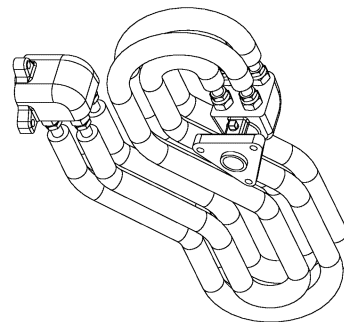
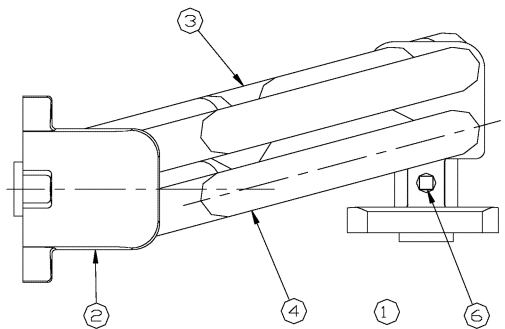
KIT CODE	REF. NO.	PART NO.	DESCRIPTION	QTY.
	NSS		ASSEMBLY, PISTON/CONNECTING ROD — H. P.	1
	49814957		ASSEMBLY, PISTON/PIN — H.P.	1
	1	54514021	ROD, CONNECTING — H.P.	1
B	3	85583102	BEARING, NEEDLE	1
R	4	NSS	RING, COMPRESSION	1
R	5	NSS	RING, SCRAPER	1
R	6	NSS	RING, OIL CONTROL SET	1
B	7	30287791	RING, LOCK	2

Intercooler Assembly (Left Side)



KIT CODE	REF. NO.	PART NO.	DESCRIPTION	QTY.
	97338636		ASSEMBLY, INTERCOOLER — LEFT	
1	56281124		● MANIFOLD, L.P. — LEFT	1
2	56281132		● MANIFOLD, H.P.	1
3	97338644		● ASSEMBLY, TUBE — INTERCOOLER 1	2
4	97338651		● ASSEMBLY, TUBE — INTERCOOLER 2	2
5	95083226		● CONNECTOR, MALE — 5/8 X 1/2	8
6	95033593		● PLUG, PIPE — 1/4	1

Intercooler Assembly (Right Side)



KIT CODE	REF. NO.	PART NO.	DESCRIPTION	QTY.
	97338628		ASSEMBLY, INTERCOOLER — RIGHT	1
1	56281116		● MANIFOLD, L.P. — RIGHT	1
2	56281132		● MANIFOLD, H.P.	1
3	97338644		● ASSEMBLY, TUBE — INTERCOOLER 1	2
4	97338651		● ASSEMBLY, TUBE — INTERCOOLER 2	2
5	95083226		● CONNECTOR, MALE — 5/8 X 1/2	8
6	95033593		● PLUG, PIPE — 1/4	1

KITS & ACCESSORIES

START-UP KIT _____

Each start-up kit contains enough Ingersoll-Rand synthetic compressor lubricant and air filter elements to start-up and maintain your unit for the first year.

PART NO.	DESCRIPTION
49814833	KIT, START-UP

INGERSOLL-RAND SYNTHETIC COMPRESSOR LUBRICANT _____

PART NO.	DESCRIPTION
32318875	LUBRICANT, ONE QUART BOTTLE
32318883	LUBRICANT, 12-PACK OF ONE QUART BOTTLES

AIR FILTER ELEMENT _____

PART NO.	DESCRIPTION
32012957	ELEMENT, AIR FILTER (STANDARD)
37161577	ELEMENT, AIR FILTER (HEAVY DUTY)

OIL FILTER _____

PART NO.	DESCRIPTION
32305674	FILTER, OIL

STEP SAVER KITS _____

PART NO.	DESCRIPTION
20103081	KIT, VALVE/GASKET
20103099	KIT, RING/GASKET
85581171	KIT, BEARING/GASKET

OVERHAUL KIT _____

Overhaul Kits contains all the Step Saver Kits described above plus standard air filter elements for complete overhaul service.

PART NO.	DESCRIPTION
85582963	KIT, OVERHAUL

CRANKCASE HEATER KIT _____

Crankcase heaters are recommended when ambient temperatures are consistently below 32°F (0°C). An easy-to-install external crankcase heater kit is intended for aftermarket use.

PART NO.	DESCRIPTION
97330385	KIT, CRANKCASE HEATER

MULTI-PURPOSE AIR HOSES _____

These air hose assemblies are heavy duty, light weight hoses designed for 300 PSIG working pressure.

PART NO.	DESCRIPTION
32323750	HOSE, AIR — 3/8" X 25' (1/4" MALE NPT)
32323768	HOSE, AIR — 3/8" X 50' (1/4" MALE NPT)
32323776	HOSE, AIR — 3/8" X 100' (1/4" MALE NPT)

Y-STRAINERS _____

Y-strainers are designed to prevent foreign particles from moving downstream.

PART NO.	DESCRIPTION
32323628	Y-STRAINER, 1/4"
32323636	Y-STRAINER, 1/2"

NOTES

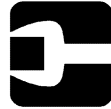
NOTES

LOOK WHAT INGERSOLL-RAND CAN DO FOR YOU!



Efficient Field Service

We maintain a highly trained staff of technicians to service your equipment for preventive maintenance, or to assist you should emergencies ever occur.



Complete Repair Service

Our trained technicians will repair or overhaul your equipment to factory specifications, using only genuine I-R parts.



Special Engineering Service

We can help you identify and solve your problems by evaluating your needs and recommending the proper equipment to give you maximum efficiency.



Spare Parts

By stocking genuine I-R spare parts, we can help you avoid costly delays or substituting inferior parts. Using genuine I-R parts on your I-R equipment will help to keep even older equipment running in good-as-new condition.



Complete Stock of Equipment

We carry a complete line of I-R equipment and accessories designed to meet any compressed air application. We are backed by I-R's prompt factory shipment to ensure you on-time delivery.

A SUBSTITUTE IS NOT A REPLACEMENT!

Ensure you get peak performance and longevity out of your Ingersoll-Rand product by insisting on genuine Ingersoll-Rand replacement parts and maintenance kits. Not only are the replacement parts made to precise dimensions and OEM-specified metallurgy, but each part is backed by the Ingersoll-Rand warranty. Your local Air Center, Distributor, or direct Ingersoll-Rand salesperson will work with you to ensure you get the parts you need to do the job right. Equip your machines with only the best — Ingersoll-Rand genuine parts

NOTE: THE USE OF REPAIR PARTS OTHER THAN THOSE INCLUDED WITHIN THE INGERSOLL-RAND COMPANY APPROVED PARTS LIST MAY CREATE UNSAFE CONDITIONS OR MECHANICAL FAILURES OVER WHICH INGERSOLL-RAND COMPANY HAS NO CONTROL. INGERSOLL-RAND COMPANY SHALL BEAR NO RESPONSIBILITY FOR EQUIPMENT ON WHICH NON-APPROVED REPAIR PARTS ARE INSTALLED.

The manufacturer reserves the right to make changes or add improvements without notice and without incurring any obligation to make such changes to products previously sold.

Questions? Parts? Service?

1-800 AIR SERV

Visit our website:

www.air.ingersoll-rand.com



Lista de piezas

de la Bomba de compresión de aire modelo 2000P

INFORMACIONES GENERALES

Este manual contiene un despiece ilustrado de la bomba en conjuntos, subconjuntos y piezas individuales que se requieren para el mantenimiento y reparación. Por favor guarde este manual para futura referencia.

COLUMNAS

Cada lista de piezas se divide en las siguientes columnas:

CÓDIGO DE CONJUNTO. En esta columna se identifican las piezas que se incluyen en uno o más juegos ahorrapasos. Los juegos ahorrapasos proporcionan todas las piezas que se necesitan para realizar reparaciones habituales, como el reemplazo de anillos de pistón o el reemplazo de válvulas.

Los siguientes caracteres pueden aparecer en la columna CÓDIGO DE CONJUNTO.

- V = Piezas que se incluyen en un juego de válvula/empaquetadura. Estos conjuntos contienen piezas que se desgastan en las válvulas y empaquetaduras de culata que se destruyen al reemplazar las piezas de las válvulas.
- R = Piezas que se incluyen en un juego de anillos/empaquetaduras. Estos juegos contienen un conjunto completo de los anillos de pistón y empaquetaduras que se destruyen al desarmar la unidad para reemplazar los anillos.
- B = Piezas que se incluyen en un juego de rodamientos/empaquetaduras. Estos juegos contienen un conjunto completo de los rodamientos, sellos y empaquetaduras que se destruyen al desarmar la unidad para reemplazar los rodamientos.

Nº DE REF (NÚMERO DE REFERENCIA). En esta columna se enumera el número de llamada en la ilustración que identifica ese ítem.

Las siguientes abreviaturas podrían aparecer en la columna NÚMERO DE REFERENCIA:

- NI = No se ilustra.
- REF = Sólo referencia. Se le puede referir a una figura y página anotadas en la columna Descripción.

Otros símbolos o abreviaturas que se usen se definen en la misma página en que aparecen.

DESCRIPCIÓN. En la columna DESCRIPCIÓN se identifican los ítems por nombre estándar (nomenclatura) y modificadores. Los

modificadores se usan para identificar características específicas (dimensiones, capacidad, ajuste de presión, etc.), y/o la función o ubicación particular de la unidad. La relación de un subconjunto o pieza componente con conjuntos más amplios se indica con símbolos de "viñeta" (*). En los conjuntos que se descomponen en listas e ilustraciones separadas, se muestra el número de figura y referencia de página apropiados después de la descripción del ítem. Cuando haga un pedido, indique siempre la descripción de la pieza.

CANT. (CANTIDAD). Las cantidades enumeradas en esta columna reflejan la cantidad de cada ítem que se usa en el siguiente conjunto más amplio y no necesariamente la cantidad total de esa pieza que se usa en la unidad. Cuando haga un pedido, especifique la cantidad deseada.

Nº DE PIEZA (NÚMERO DE PIEZA). Los artículos que se enumeran en esta columna llevan los números de pieza de Ingersoll-Rand. Al pedir piezas de repuesto o reemplazo, especifique el número de pieza.

Los siguientes símbolos o abreviaturas podrían aparecer en la columna NÚMERO DE PIEZA:

- NSS = No se vende por separado. Tales piezas se deben pedir como parte del siguiente conjunto más amplio o, si procede, como parte de un juego ahorrapasos.
- ** = El número de pieza cambiará. Para mayores detalles, comuníquese con Ingersoll-Rand.

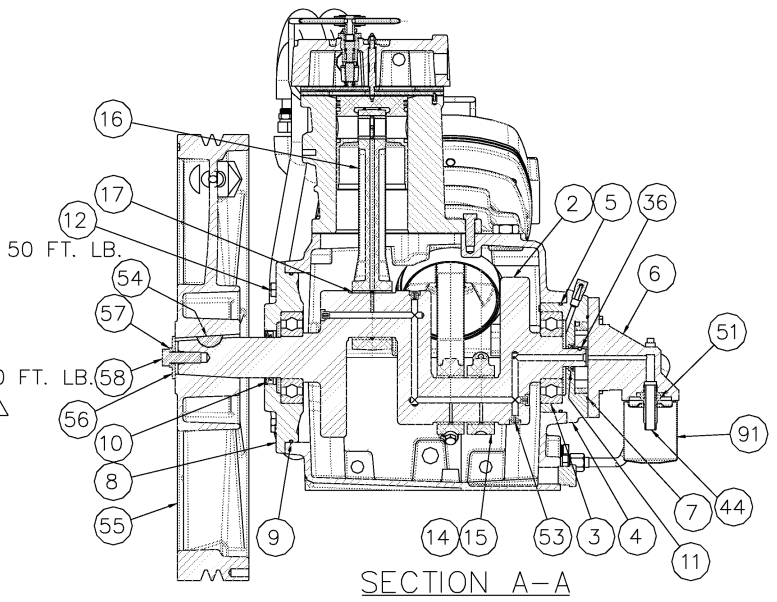
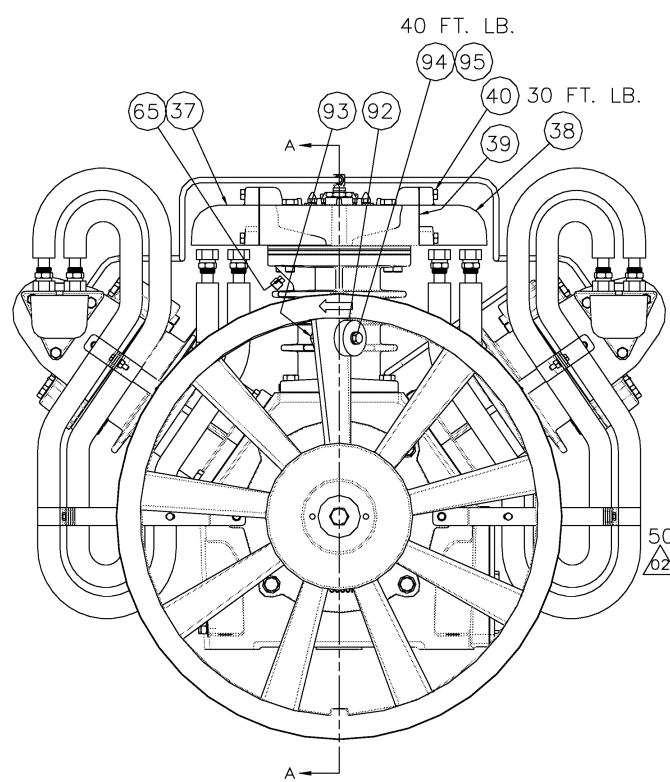
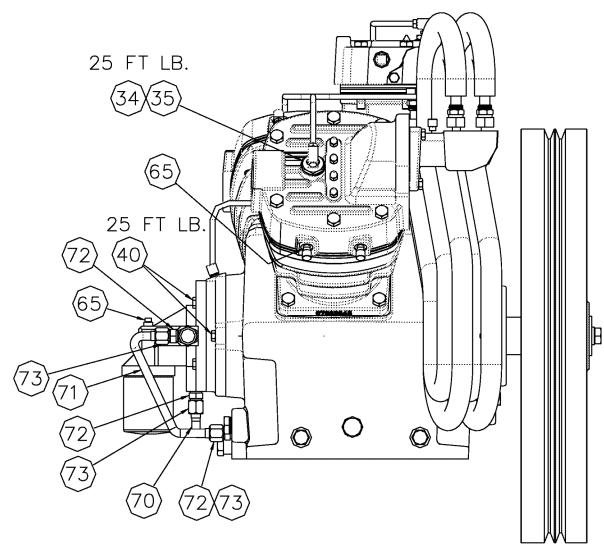
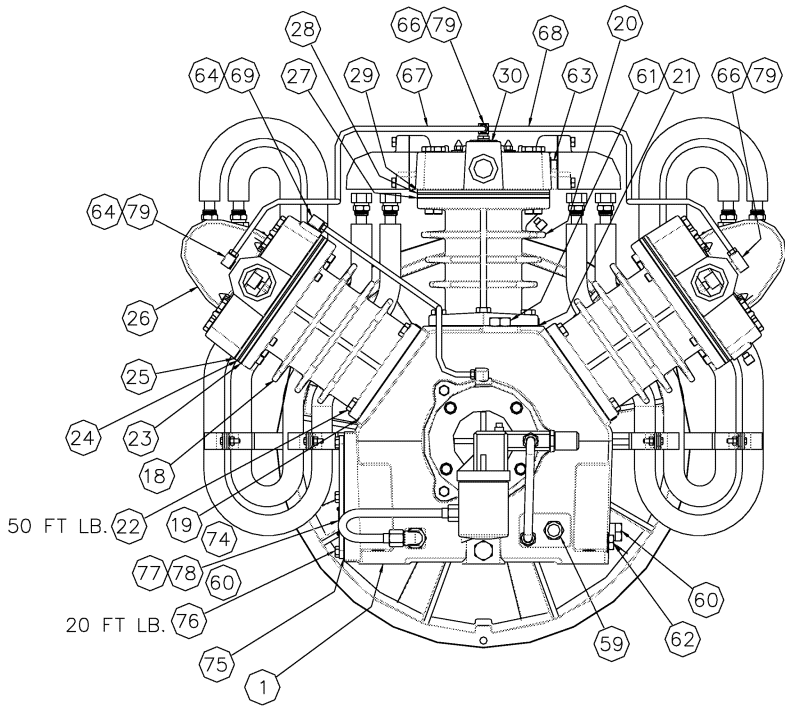
Otros símbolos o abreviaturas que se usen se definen en la misma página en que aparecen.

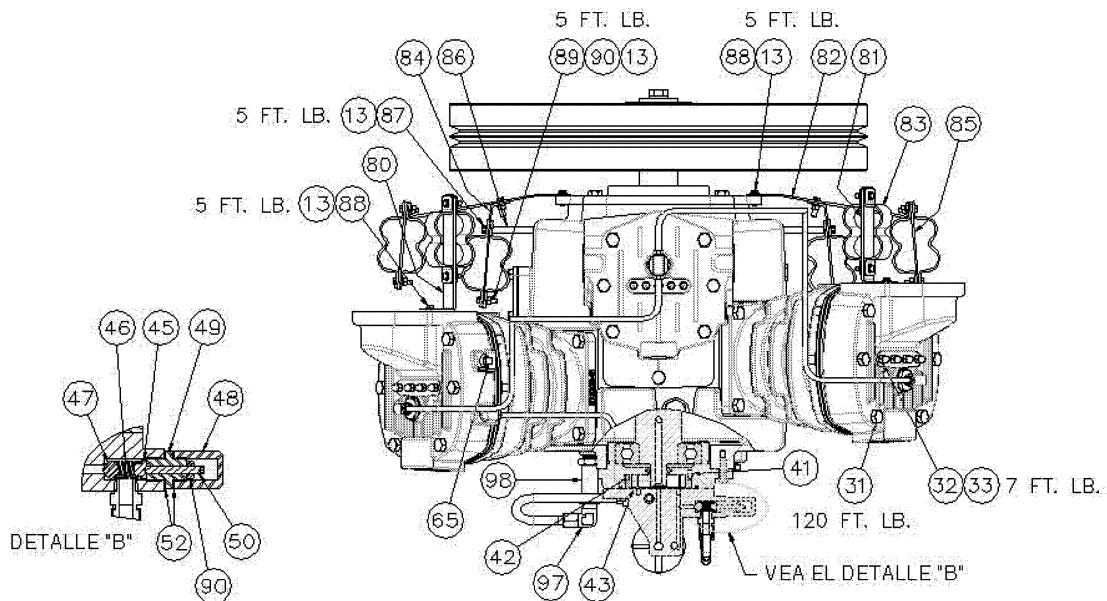
INSTRUCCIONES PARA PEDIDOS

Todas las piezas enumeradas en este manual se pueden ordenar a través de su Centro de Aire o Distribuidor Ingersoll-Rand local. Para encontrar el Centro de Aire o Distribuidor de su área, consulte el Directorio de distribuidores que se incluye con la unidad, llame al **1-800 AIR SERV** o visite nuestro sitio web en <http://www.air.ingersoll-rand.com> para mayor información.

Al hacer su pedido, incluya la siguiente información:

- El **número de modelo** y **número de serie** estampados en la placa de nombre de unidad.
- El **número de formulario** de este manual que se indica en la esquina derecha inferior de la portada.
- La **cantidad, descripción** y **número de pieza** de la o las piezas que usted está ordenando.



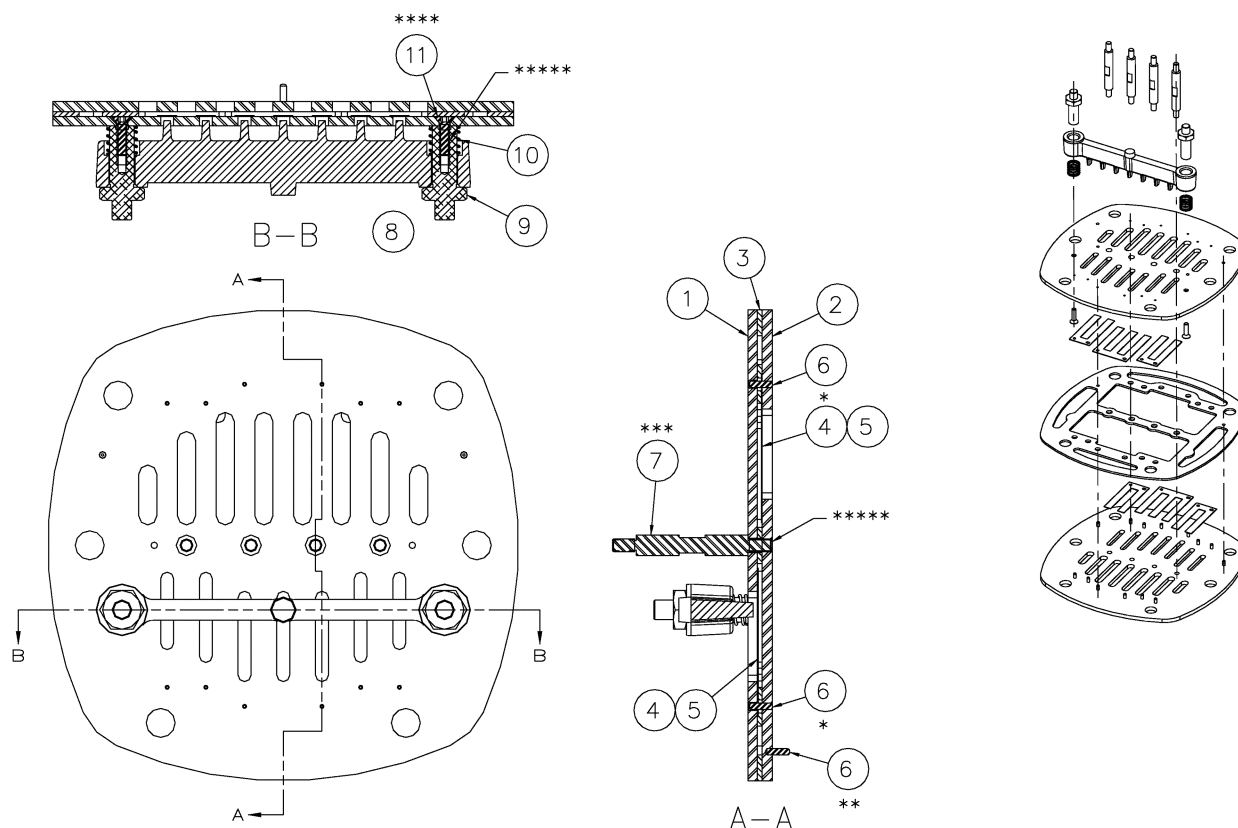


NOTA: LOS SUBENSAMBLAS DEL INTERENFRIADOR NO SE INCLUYEN EN ESTA VISTA PARA MAYOR CLARIDAD.

CÓDIGNO*	ÍTEM Nº	PIEZA	DESCRIPCIÓN	CANT.	CÓDIGNO*	ÍTEM Nº	PIEZA	DESCRIPCIÓN	CANT.
CONJ.	1	56286438	ARMAZÓN, COMPRESOR	1	60	95200333	TAPÓN, TUBO — 3/4 NPT	3	
	2	85585354	CIGÜENAL, COMPLETO (VER NOTA)	1	61	39498522	TAPÓN, LLENADO DE ACEITE	2	
B	3	NSS	● RODAMIENTO DE BOLA	2	62	95344651	TAPÓN, TUBO — 1/2 NPT	2	
	4	54514690	CAJA, RODAMIENTOS/GEROTOR	1	63	95033619	TAPÓN, TUBO — 1/2	1	
B	5	95023404	JUNTA TÓRICA, CAJA DE RODAMIENTOS/GEROTOR	1	64	95110441	CODO, TUBO — 5/16 T X 1/4 NPT	3	
	6	54517883	CAJA, FILTRO DE ACEITE	1	65	95033593	TAPÓN, TUBO — 1/4	5	
	7	95023115	JUNTA TÓRICA, CAJA DE FILTRO DE ACEITE	1	66	95369815	TE, TUBO — 5/16 T X 1/4 NPT	3	
	8	97333900	CUBIERTA, EXTREMO DE LA ARMAZÓN	1	67	97338800	CONJ. DE TUBOS - DESCARGADOR DE LA CULATA	1	
	9	95041919	JUNTA TÓRICA, CUBIERTA DEL EXTREMO DE LA ARMAZÓN	1	68	97338818	CONJ. DE TUBOS - DESCARGADOR DE LA CULATA	1	
	10	56260607	RETÉN, ACEITE	1	69	20104121	CONJ. DE TUBOS, VENTILACIÓN DEL CÁRTER	1	
	11	39329578	RETÉN, BOMBA DE ACEITE	1	70	54526231	CONJ. DE TUBOS, SUCCIÓN BOMBA DE ACEITE	1	
	12	95053047	TORNILLO DE CABEZA, HEX — 1/2-13 X 1-1/4	4	71	54517891	CONJ. DE TUBOS, DE SEGURIDAD	1	
	13	95043196	ARANDELA DE SEGURIDAD, RESORTE — 1/4	18	72	95101143	CONECTOR, MACHO TUBO ABocardado DE 37° — 1/2	4	
	14	20104105	CONJ., PISTÓN/VARILLA — B.P. (VER PÁGINA 6)	2	73	95417507	NIPLE	1	
	15	97333959	RODAMIENTO, INSERCIÓN — B.P.	4	74	85584134	CONJ., CUBIERTA LATERAL DE LA ARMAZÓN	3	
	16	20104113	CONJ., PISTÓN/VARILLA — A.P. (VER PÁGINA 7)	1	75	56289002	EMPAQUETADURA, CUBIERTA LATERAL	1	
	17	97333967	RODAMIENTO, INSERCIÓN — A.P.	2	76	95103743	TORNILLO DE CABEZA, HEX — 3/8-16 X 3/4	10	
	18	97333918	CILINDRO, BAJA PRESIÓN	2	77	54398730	PLACA DE NOMBRE	1	
	19	97334460	EMPAQUETADURA, CILINDRO/ARMAZÓN — B.P.	2	78	95987525	HUSILLO DE IMPULSIÓN	4	
	20	97333926	CILINDRO, ALTA PRESIÓN	1	79	95038147	BUJE REDUCTOR — 3/8 X 1/4	3	
	21	97334486	EMPAQUETADURA, CILINDRO/ARMAZÓN — A.P.	1	80	54405485	ANCLAJE, CULATA/INTERENFRIADOR - IZQUIERDO	1	
	22	95104170	TORNILLO DE CABEZA, HEX — 1/2-13 X 1-1/2	13	81	54405493	ANCLAJE, CULATA/INTERENFRIADOR - DERECHO	2	
V	23	54387733	EMPAQUETADURA, PLACA DE VÁLVULA/CILINDRO — B.P.	2	82	54405501	ANCLAJE, PARTE INFERIOR DEL INTERENFRIADOR	1	
	24	20100210	CONJ., PLACA DE VÁLVULA — B.P. (VER PÁGINA 4)	2	83	54405519	ABRAZADERA, TUBO DEL INTERENFRIADOR	12	
V	25	56284490	EMPAQUETADURA DE CULATA — BAJA PRESIÓN	2	84	54405527	ANCLAJE, PARTE INFERIOR DEL INTERENFRIADOR - INTERIOR	2	
	26	56280480	CULATA, BAJA PRESIÓN	2	85	54405535	ANCLAJE, PARTE INFERIOR DEL INTERENFRIADOR - EXTERIOR	2	
V	27	54387741	EMPAQUETADURA, PLACA DE VÁLVULA/CILINDRO — A.P.	1	86	54405543	ESPACIADOR, ANCLAJE DE MONTAJE DEL INTERENFRIADOR	2	
	28	20100228	CONJ., PLACA DE VÁLVULA — A.P. (VER PÁGINA 5)	1	87	95052908	TORNILLO DE CABEZA, HEX — 1/4-20 X 3-1/2	2	
V	29	56284508	EMPAQUETADURA DE CULATA — ALTA PRESIÓN	1	88	95079802	TORNILLO DE CABEZA, HEX — 1/4-20 X 3/4	4	
	30	56280498	CULATA, BAJA PRESIÓN	1	89	95079893	CAPSCREW, HEX — 1/4-20 X 1	12	
	31	95717385	TORNILLO DE CABEZA, HEX — 1/2-13 X 3.75	18	90	95077681	TUERCA, HEX — 1/4-20	13	
V	32	32255903	EMPAQUETADURA, ARANDELA DE COBRE — 1/4	13	91	32305674	FILTRO, ACEITE	1	
	33	56286248	TUERCA CIEGA — 1/4-28	13	92	54455324	PESA, RUEDA DE CORREA — DISCO	1	
	34	97333958	CONJ., CUERPO DEL DESCARGADOR	3	93	54455316	PESA, RUEDA DE CORREA — HEX	1	
V	35	95744322	EMPAQUETADURA, ARANDELA DE COBRE	3	94	95101713	TORNILLO DE CABEZA, HEX 3/8-16 X 2	1	
	36	95301305	BOLA, 3/16 DIA.	1	95	95081857	ARANDELA DE SEGURIDAD, RESORTE — 3/8	1	
	37	97338628	CONJ., INTERENFRIADOR - DERECHO (VER PÁGINA 9)	1	96	95257358	TUERCA	2	
	38	97338636	CONJ., INTERENFRIADOR - IZQUIERDO (VER PÁGINA 8)	1	97	95252789	CODA	2	
V	39	56285570	EMPAQUETADURA, COLECTOR DEL INTERENFRIADOR	4	98	38003158	DEPURADOR	1	
	40	95035358	TORNILLO DE CABEZA, HEX 3/8-16 X 1,25	19					
	41	95002747	CLAVIJA, 3/16 — 1/2 LARGO	1					
	42	39329388	ANILLO, DE INVERSIÓN ECÉNTRICO	1					
	43	39329396	ENGRANAJE, CONJUNTO INTERNO	1					
	44	30179220	ADAPTADOR, FILTRO DE ACEITE	1					
	45	39331699	ASIENTO, RESORTE DE LA VÁLVULA DE SEGURIDAD	1					
	46	30508741	RESORTE, VÁLVULA DE SEGURIDAD	1					
	47	95228627	BOLA, VÁLVULA DE SEGURIDAD	1					
	48	39329412	CABEZA, BOMBA DE ACEITE	1					
	49	39329404	CABETA, DE SEGURIDAD	1					
	50	95065983	TORNILLO FIJADOR, 1/4-20 UNC — 1-3/4	1					
	51	95245296	CONTRATUERCA, HEX 3/4-16	1					
	52	95981239	ARANDELA, DE COBRE	2					
	53	95049359	TAPÓN, TUBO — 1/8	4					
	54	95083721	CHAVETA, WOODRUFF — 5/16 X 1-1/2	1					
	55	97337273	RUEDA DE CORREA	1					
	56	56268923	ARANDELA, RUEDA DE CORREA	1					
	57	95081790	ARANDELA DE SEGURIDAD, RESORTE — 5/8	1					
	58	95373585	TORNILLO DE CABEZA, HEX — 5/8-11 X 1,75	1					
	59	97330245	VISOR DE ACEITE — 1 NPT	1					

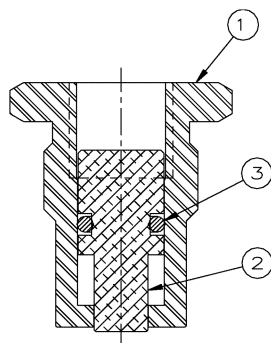
NOTA: Un conjunto completo de servicio del cárter (Nº. de pieza 85585354) incluye Nº. de ref. 2, 3, 5, 8, 9, 10, 36, 54, 56, 57, 58.

Conjunto de la placa de válvula de baja presión



NOTAS

- * Presione los pasadores de espiga (Ref. N° 6) dentro de la placa de la válvula de descarga (Ref. N° 2), dejándolos a nivel con la parte inferior de la placa de la válvula de descarga (Ref. N° 2).
- ** Presione el pasador de espiga (Ref. N° 6) dentro del lado inferior de la placa de la válvula de descarga (Ref. N° 2), hasta que el pasador de espiga (Ref. N° 5) llegue al fondo del orificio ciego.
- *** Aplique una torsión de 7 pies lb. a los husillos de la placa de válvula (Ref. N° 7).
- **** Aplique una torsión de 36 pulg. lb. a los tornillos de cabeza (Ref. N° 11).
- ***** Aplique Loctite 262 o su equivalente a las roscas.



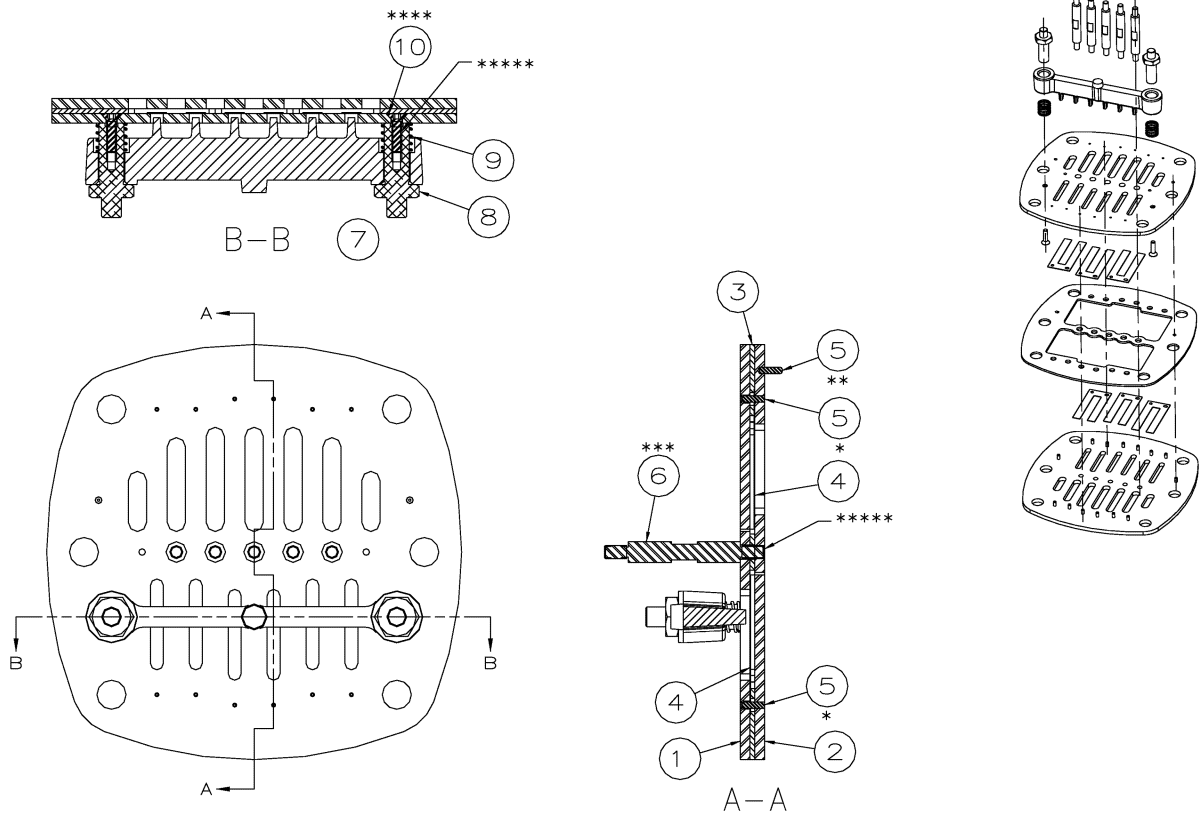
CÓDIGO CONJ.	N° REF.	N° PIEZA	DESCRIPCIÓN	CANT.
V	REF.	20100210	CONJUNTO, PLACA DE VÁLVULA — B. P.	
V	1	54422720	● PLACA DE VÁLVULA — TOMA B.P.	1
V	2	54422738	● PLACA DE VÁLVULA — DESCARGA B.P.	1
V	3	56284516	● EMPAQUETADURA, ESPACIADOR DE LA PLACA DE VÁLVULA B.P.	1
V	4	97334023	● VÁLVULA, TRES DEDOS	2
V	5	97334031	● VÁLVULA, DOS DEDOS	4
V	6	56267818	● CLAVIJA — 1/8 X 7/16	15
V	7	56285562	● HUSILLO, PLACA DE VÁLVULA — 1/4-28	4
V	8	56282304	● HORQUILLA DEL DESCARGADOR — SIETE DEDOS	1
V	9	56282312	● GUIA, HORQUILLA DEL DESCARGADOR	2
V	10	56283765	● RESORTE, HORQUILLA DEL DESCARGADOR	2
V	11	95389698	● TORNILLO DE CABEZA, CASQUILLO HEX	2

CÓDIGO CONJ.	N° REF.	N° PIEZA	DESCRIPCIÓN	CANT.
V	REF.	97339568	CONJUNTO, CUERPO DESCARGADOR	
V	1	54392469	● CUERPO, DESCARGADOR	1
V	2	54392451	● PISTÓN, DESCARGADOR	1
V	3	54392337	● JUNTA TÓRICA, PISTÓN DESCARGADOR	1

NOTAS

- Aplique grasa de silicona de alta temperatura a la junta tórica (Ref. N° 3).

Conjunto de la placa de válvula de alta presión

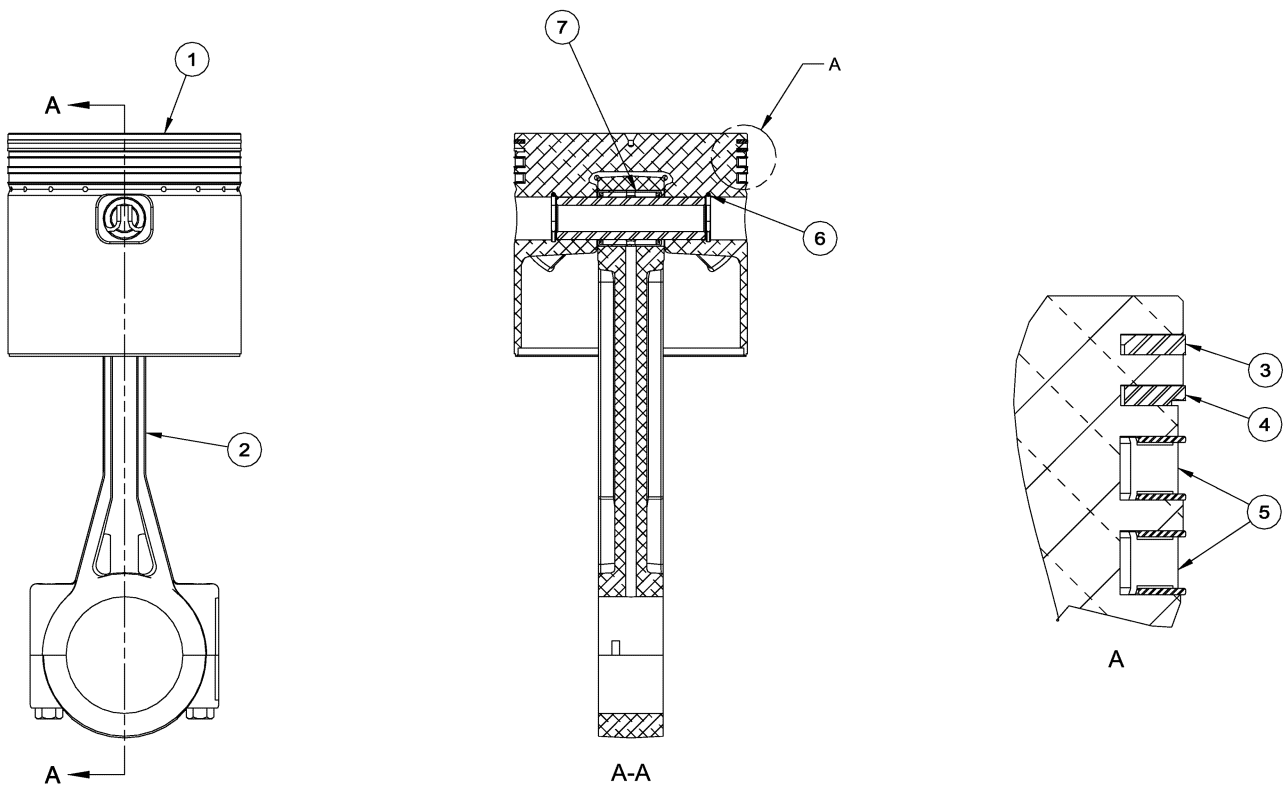


NOTAS

- * Presione los pasadores de espiga (Ref. N° 5) dentro de la placa de la válvula de descarga (Ref. N° 2), dejándolos a nivel con la parte inferior de la placa de la válvula de descarga (Ref. N° 2).
- ** Presione el pasador de espiga (Ref. N° 5) dentro del lado inferior de la placa de la válvula de descarga (Ref. N° 2) hasta que el pasador de espiga (Ref. N° 5) llegue al fondo del orificio ciego.
- *** Aplique una torsión de 7 pies lb. a los husillos de la placa de válvula (Ref. N° 6).
- **** Aplique una torsión de 36 pulg. lb. a los tornillos de cabeza (Ref. N° 10).
- ***** Aplique Loctite 262 o su equivalente a las roscas.

CÓDIGO CONJ.	N° REF.	N° PIEZA	DESCRIPCIÓN	CANT.
V	1	20100228	CONJUNTO, PLACA DE VÁLVULA — A. P.	1
V	2	54422746	● PLACA DE VÁLVULA — TOMA A.P.	1
V	3	54422761	● PLACA DE VÁLVULA — DESCARGA A.P.	1
V	4	97334114	● EMPAQUETADURA, ESPACIADOR DE LA PLACA DE VÁLVULA A.P.	1
V	5	97334031	● VÁLVULA DE DOS DEDOS	6
V	6	56267818	● CLAVIJA — 1/8 X 7/16	15
	7	56285562	● HUSILLO, PLACA DE VÁLVULA — 1/4-28	5
	8	56282296	● HORQUILLA DEL DESCARGADOR — SEIS DEDOS	1
	9	56282312	● GUÍA, HORQUILLA DEL DESCARGADOR	2
	10	56283765	● RESORTE, HORQUILLA DEL DESCARGADOR	2
		95389698	● TORNILLO DE CABEZA, HEX SOCKET	2

Conjunto del pistón/biela de conexión de baja presión

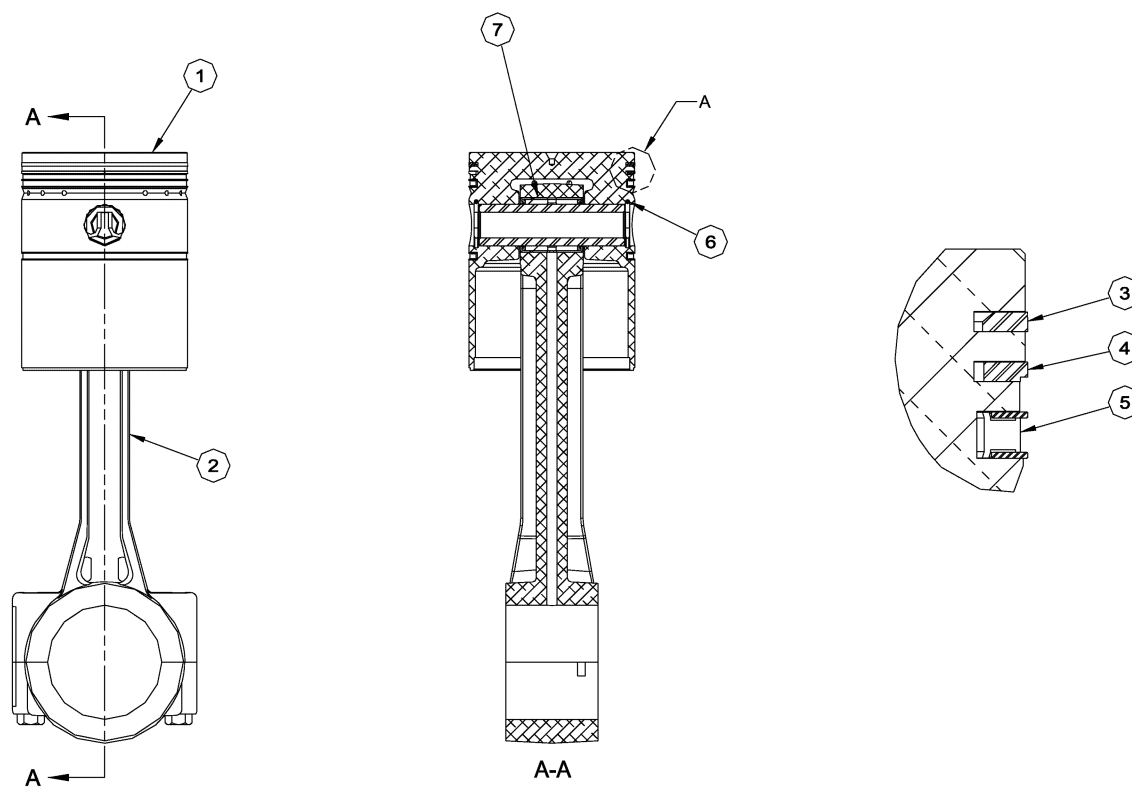


NOTAS

- Instale el anillo de compresión (Ref. N° 4) y el anillo raspador (Ref. N° 5) con la marca de los anillos mirando hacia arriba.
- Los anillos de pistón de baja presión (Ref. N° 4-6) están disponibles en el conjunto de anillos 20103123. No se venden anillos individuales de manera separada.

CÓDIGO	N° REF.	N° PIEZA	DESCRIPCIÓN	CANT.
CONJ.	REF.	NSS	CONJUNTO DE PISTÓN/BIELA DE CONEXIÓN — B.P.	
	1	49814940	● CONJUNTO, PISTÓN/PASADOR — B.P.	1
	2	54514013	● BIELA, DE CONEXIÓN — B.P.	1
	3	85583102	● RODAMIENTO DE AGUJA	1
	4	NSS	● ARO, DE COMPRESIÓN	1
	5	NSS	● ARO, DEPURADOR	1
	6	NSS	● ARO, JUEGO DE REGULACIÓN DE ACEITE	1
	7	30287791	● ANILLO, DE CIERRE	2

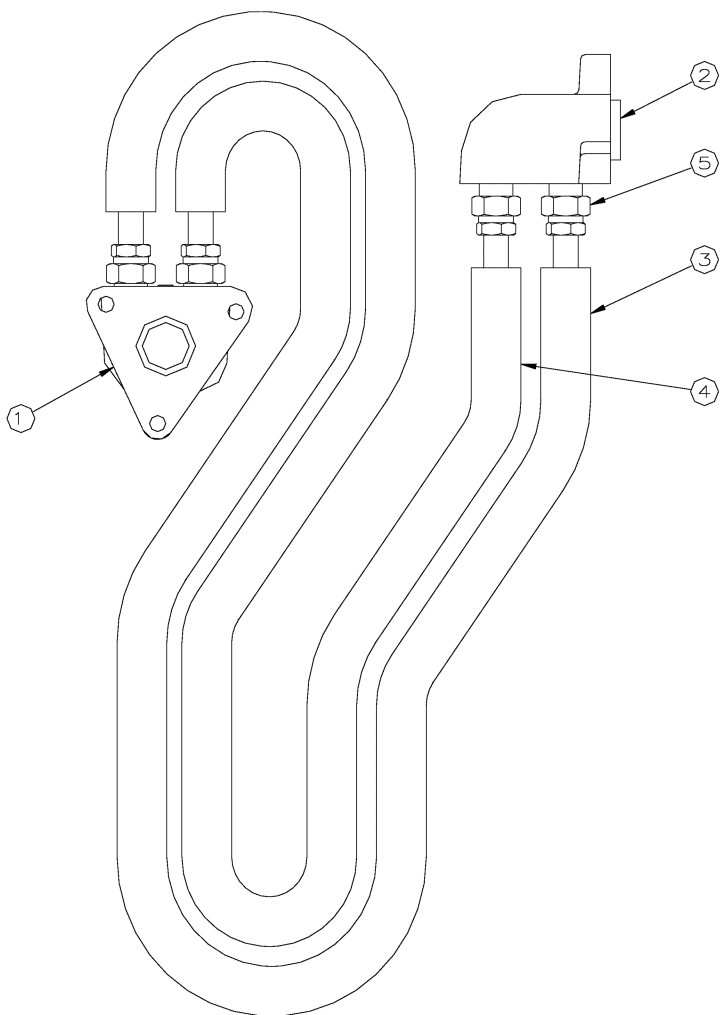
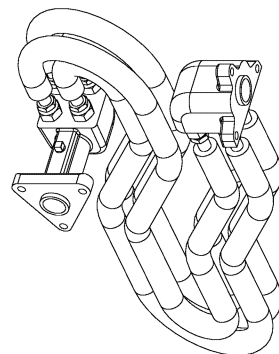
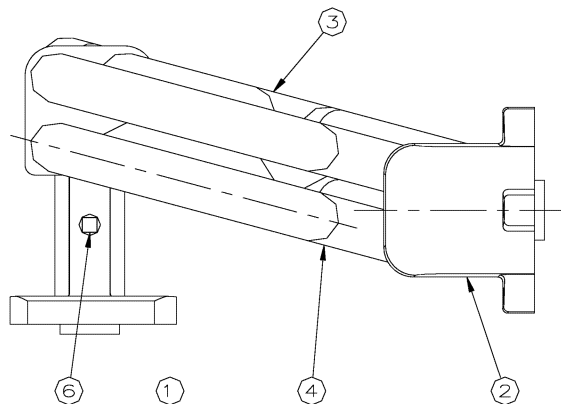
Conjunto del pistón/biela de conexión de alta presión



NOTES

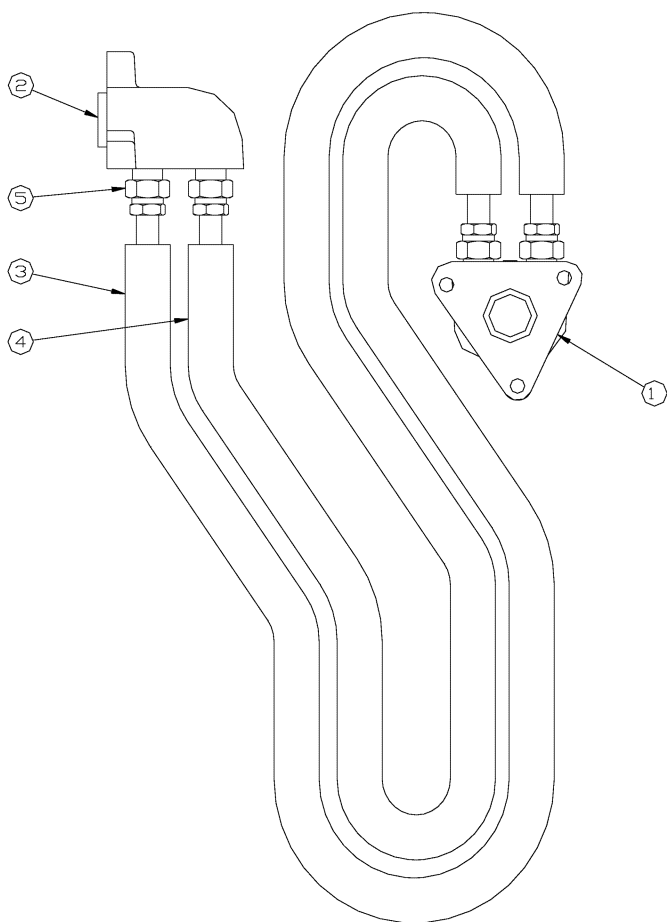
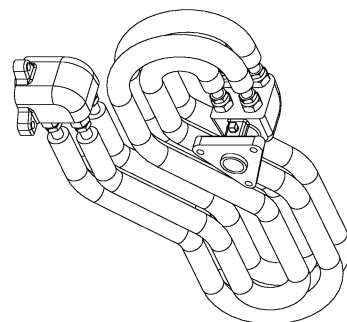
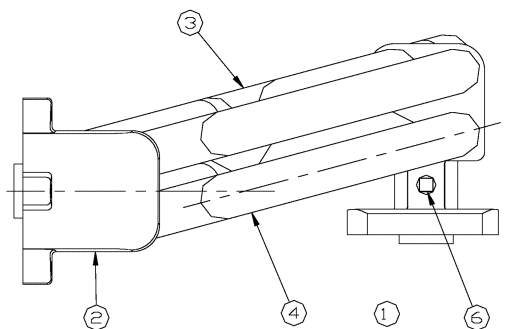
- Instale el anillo de compresión (Ref. N° 4) y el anillo raspador (Ref. N° 5) con la marca de los anillos mirando hacia arriba.
- Los anillos de pistón de baja presión (Ref. N° 4-6) están disponibles en el conjunto de anillos 20103123. No se venden anillos individuales de manera separada.

CÓDIGO CONJ.	N° REF.	N° PIEZA	DESCRIPCIÓN	CANT.
		NSS	CONJUNTO DE PISTÓN/BIELA DE CONEXIÓN — A. P.	
	1	49814957	CONJUNTO, PISTÓN/PASADOR — A.P.	1
	2	54514021	BIELA, DE CONEXIÓN — A.P.	1
B	3	85583102	RODAMIENTO DE AGUJA	1
R	4	NSS	ARO, DE COMPRESIÓN	1
R	5	NSS	ARO, DÉPURADOR	1
R	6	NSS	ARO, JUEGO DE REGULACIÓN DEL ACEITE	1
B	7	30287791	ANILLO, DE CIERRE	2

Conjunto interenfriador (lado izquierdo)

CÓDIGO	Nº REF.	Nº PIEZA	DESCRIPCIÓN	CANT.
CONJ.	REF.	97338636	CONJUNTO INTERENFRIADOR — IZQUIERDO	1
	1	56281124	● COLECTOR, B.P. — IZQUIERDA	1
	2	56281132	● COLECTOR, A.P.	1
	3	97338644	● CONJUNTO TUBOS — INTERENFRIADOR 1	2
	4	97338651	● CONJUNTO TUBOS — INTERENFRIADOR 2	2
	5	95083226	● CONECTOR MACHO — 5/8 X 1/2	8
	6	95033593	● TAPÓN, TUBO — 1/4	1

Conjunto interenfriador (lado derecho)



CÓDIGO CONJ.	Nº REF.	Nº PIEZA	DESCRIPCIÓN	CANT.
	97338628		CONJUNTO INTERENFRIADOR — DERECHO	
1	56281116		● COLECTOR, B.P. — DERECHO	1
2	56281132		● COLECTOR, A.P.	1
3	97338644		● CONJUNTO, TUBOS — INTERENFRIADOR 1	2
4	97338651		● CONJUNTO, TUBOS — INTERENFRIADOR 2	2
5	95083226		● CONECTOR, MACHO — 5/8 X 1/2	8
6	95033593		● TAPÓN, TUBO — 1/4	1

CONJUNTOS Y ACCESORIOS

CONJUNTO DE PUESTA EN MARCHA _____

Cada conjunto de puesta en marcha contiene suficiente lubricante sintético Ingersoll-Rand para compresores y elementos de filtros de aire para poner en marcha y mantener su unidad durante el primer año.

Nº DE PIEZA	DESCRIPCIÓN
49814833	CONJUNTO de PUESTA EN MARCHA

LUBRICANTE SINTÉTICO INGERSOLL-RAND PARA COMPRESORES _____

Nº DE PIEZA	DESCRIPCIÓN
32318875	LUBRICANTE, BOTELLA DE UN CUARTO
32318883	LUBRICANTE, PAQUETE DE 12 BOTELLAS DE UN CUARTO

AIR FILTER ELEMENT _____

Nº DE PIEZA	DESCRIPCIÓN
32012957	ELEMENTO, FILTRO DE AIRE (ESTÁNDAR)
37161577	ELEMENTO, FILTRO DE AIRE (USO INTENSIVO)

FILTRO DE ACEITE _____

Nº DE PIEZA	DESCRIPCIÓN
32305674	FILTRO, DE ACEITE

JUEGOS AHORRAPASOS _____

Nº DE PIEZA	DESCRIPCIÓN
20103081	JUEGO DE VÁLVULAS/EMPAQUETADURAS
20103099	JUEGO DE ANILLOS/EMPAQUETADURAS
85581171	JUEGO DE RODAMIENTOS/EMPAQUETADURAS

JUEGO DE REVISIÓN GENERAL _____

Los juegos de revisión general contienen todos los juegos ahorrapasos antes descritos, más los elementos estándar de filtro de aire para un completo servicio de revisión general.

Nº DE PIEZA	DESCRIPCIÓN
85582963	JUEGO DE REVISIÓN GENERAL

JUEGO DE CALEFACTORES DEL CÁRTER _____

Se recomienda usar calefactores del cárter cuando las temperaturas ambiente suelen estar permanentemente por debajo de los 32°F (0°C). Un juego de calefactores externos del cárter, de fácil instalación, está destinado a su uso de posventa.

Nº DE PIEZA	DESCRIPCIÓN
97330385	JUEGO DE CALEFACTORES DEL CÁRTER

CONDUCTOS DE AIRE PARA VARIOS USOS _____

Estos conjuntos de conductos de aire son conductos livianos para uso intensivo, diseñados para una presión efectiva de 300 PSIG.

Nº DE PIEZA	DESCRIPCIÓN
32323750	CONDUCTO DE AIRE — 3/8" X 25' (NPT MACHO DE 1/4")
32323768	CONDUCTO DE AIRE — 3/8" X 50' (NPT MACHO DE 1/4")
32323776	CONDUCTO DE AIRE— 3/8" X 100' (NPT MACHO DE 1/4")

DEPURADORES EN Y _____

Los depuradores en Y están diseñados para impedir que partículas extrañas avancen dentro del sistema.

Nº DE PIEZA	DESCRIPCIÓN
32323628	DEPURADOR EN Y, 1/4"
32323636	DEPURADOR EN Y, 1/2"

NOTAS

NOTAS

¡VEA LO QUE INGERSOLL-RAND PUEDE HACER POR USTED!



Eficiente servicio en terreno

Mantenemos un personal de técnicos altamente capacitados para proporcionar mantenimiento preventivo a sus equipos o para ayudarle si alguna vez ocurre alguna emergencia.



Completo servicio de reparaciones

Nuestros capacitados técnicos repararán sus equipos o les harán una revisión general dejándolos de acuerdo a las especificaciones de fábrica, usando únicamente piezas I-R auténticas.



Servicio de diseño especial

Podemos ayudarle a identificar y resolver sus problemas haciendo una evaluación de sus necesidades y recomendándole los equipos adecuados para maximizar su eficiencia.



Repuestos

Al mantener en existencia repuestos I-R originales, podemos evitarle costosas demoras o la sustitución por piezas de menor calidad. El uso de piezas I-R originales en sus equipos I-R le ayudará a mantener incluso los equipos más antiguos funcionando como si fueran nuevos.



Completa existencia de equipos

Tenemos una completa línea de equipos y accesorios I-R diseñados para cumplir con cualquier aplicación de aire comprimido. Nos respalda el rápido despacho de fábrica de I-R, para asegurarle una entrega oportuna.

¡UN SUBSTITUTO NO ES UN REPUESTO!

Asegúrese de obtener el máximo rendimiento y duración de su producto Ingersoll-Rand insistiendo en usar repuestos y equipos de mantenimiento originales Ingersoll-Rand. Los repuestos no sólo se fabrican de acuerdo a dimensiones exactas y metalurgia especificada por OEM, sino que cada pieza tiene el respaldo de la garantía Ingersoll-Rand. Su Centro de aire, Distribuidor o vendedor directo Ingersoll-Rand en su localidad le ayudarán a asegurarse de que obtendrá las piezas necesarias para hacer bien su trabajo. Equipe sus máquinas sólo con lo mejor : originales piezas Ingersoll-Rand.

NOTA: EL USO DE REPUESTOS DIFERENTES A AQUELLOS QUE SE INCLUYEN EN LA LISTA DE PIEZAS APROBADAS POR LA COMPAÑÍA INGERSOLL-RAND PUEDE CREAR CONDICIONES NO SEGURAS O FALLAS MECÁNICAS QUE ESCAPAN DEL CONTROL DE LA COMPAÑÍA INGERSOLL-RAND. LA COMPAÑÍA INGERSOLL-RAND NO SE HARÁ RESPONSABLE POR EQUIPOS EN LOS QUE SE INSTALEN REPUESTOS NO APROBADOS.

El fabricante se reserva el derecho a hacer cambios o añadir mejoras sin previo aviso y sin incurrir en ninguna obligación de hacer dichos cambios en productos vendidos con anterioridad.

¿Preguntas? Piezas? ¿Servicio?

1-800 AIR SERV

Visite nuestro sitio web:

www.air.ingersoll-rand.com



Liste de pièces

pour la Pompe de compresseur d'air Modèle 2000P

INFORMATIONS GÉNÉRALES

Le présent manuel contient des tableaux de composition illustrés des ensembles, sous-ensembles et pièces primaires requises pour la maintenance et la réparation de la pompe. Veuillez conserver ce manuel pour toute référence future.

COLONNES

Chaque liste de pièces se compose des colonnes suivantes :

CODE TROUSSE. Cette colonne identifie les pièces incluses dans une ou plusieurs trousse d'entretien rapide. Ces trousse d'entretien rapide contiennent toutes les pièces nécessaires pour effectuer les réparations courantes comme le remplacement des segments de piston et des soupapes.

Les caractères suivants apparaissent quelquefois sous la colonne CODE TROUSSE.

- V = Pièces incluses dans la trousse de soupape/joint. Ces trousse contiennent des pièces d'usure de soupape et de joint de culasse détruits pendant le remplacement des pièces de soupape.
- R = Pièces incluses dans la trousse de segment/joint. Ces trousse contiennent un jeu complet de segment de piston et de joint statique détruits pendant le démontage de l'unité pour le remplacement des segments.
- B = Pièces incluses dans la trousse de coussinet/joint. Ces trousse contiennent un jeu complet de coussinets, de joints d'étanchéité et de joints statiques détruits pendant le démontage de l'unité pour le remplacement des segments.

NO. RÉF. (NUMÉRO DE RÉFÉRENCE). Cette colonne indique les numéros d'appel sur les illustrations identifiant cet article.

Les abréviations suivantes apparaissent quelquefois sous la colonne NUMÉRO DE RÉFÉRENCE :

- NI = Non illustré.
- RÉF = Référence seulement. Une référence à une figure ou à une page apparaît quelquefois dans la colonne Description.

Les abréviations ou symboles supplémentaires utilisés sont définis sur la page où ils apparaissent.

DESCRIPTION La colonne DESCRIPTION identifie un article par son nom habituel (nomenclature) et ses déterminants. Ces déterminants sont utilisés pour l'identification de caractéristiques spécifiques (dimensions, capacité, réglage de pression, etc.), et/ou

l'emplacement ou la fonction particulière sur l'unité. La relation entre un sous-ensemble ou composant et les ensembles supérieurs est indiquée par une "puce" (•). Les ensembles décomposés dans des listes et illustrations séparées indiquent le numéro de figure approprié ainsi que la référence de page suivant la description de l'article. Vous devez toujours fournir la description de pièce au moment de la commande.

QTÉ (QUANTITÉ). Les quantités apparaissant sous cette colonne reflètent le numéro de chaque article utilisé dans l'ensemble supérieur suivant et ne représente pas nécessairement la quantité totale de la pièce utilisée sur l'unité. Vous devez spécifier la quantité désirée au moment de la commande.

NO. PIÈCE (NUMÉRO DE PIÈCE). Les articles apparaissant sous cette colonne portent un numéro de pièce Ingersoll-Rand. Vous devez spécifier le numéro de pièce lors de la commande de pièces de rechange.

Les abréviations ou symboles suivants apparaissent quelquefois dans la colonne NUMÉRO DE PIÈCE :

- NSS = Non vendu séparément. Ces articles doivent être commandés avec l'assemblage supérieur suivant ou, le cas échéant, avec la trousse d'entretien rapide.
- * * = Numéro de pièce variable. Veuillez communiquer avec Ingersoll-Rand pour de plus amples détails.

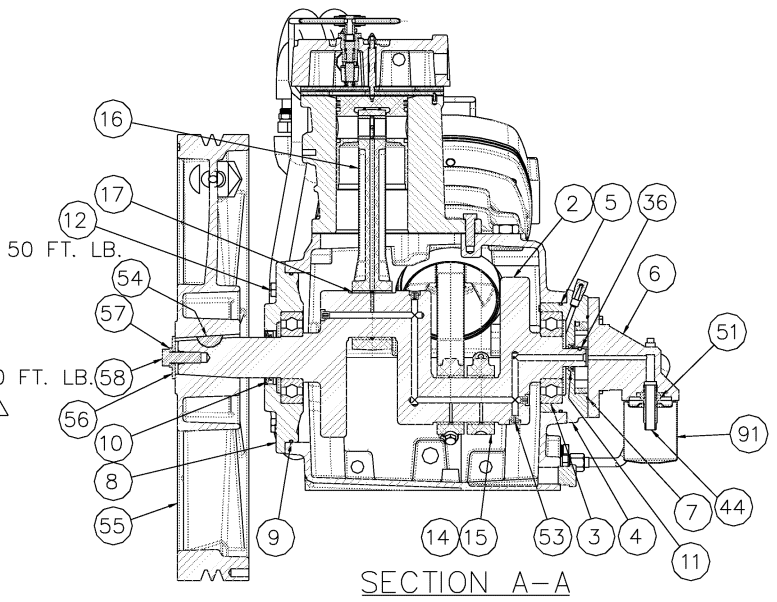
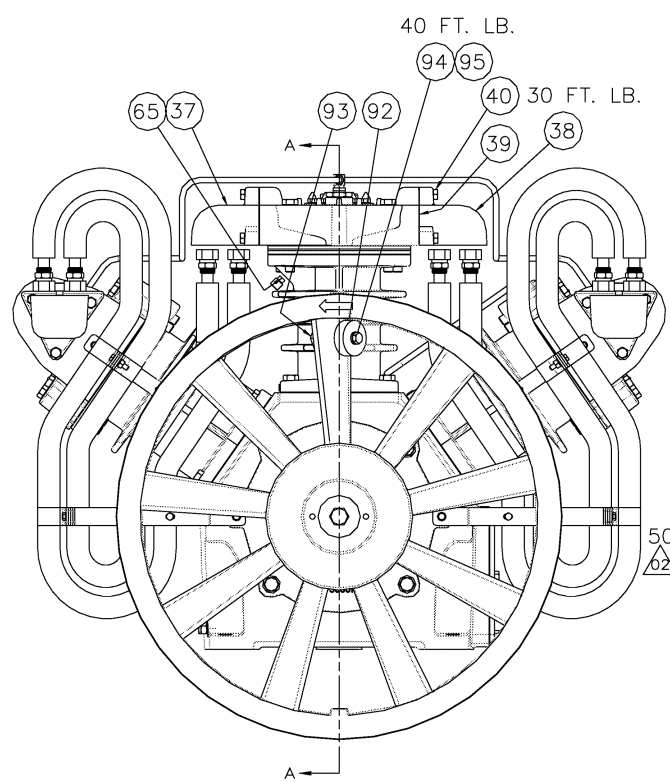
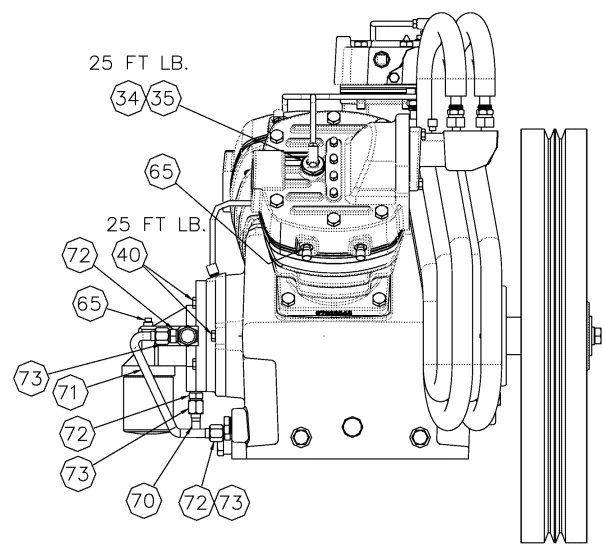
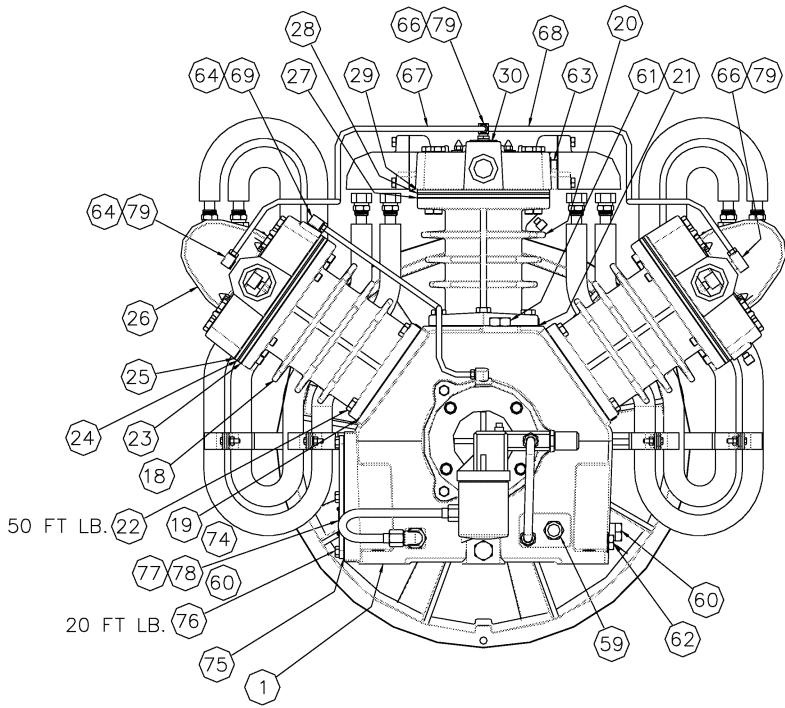
Les abréviations ou symboles supplémentaires utilisés sont définis sur la page où ils apparaissent.

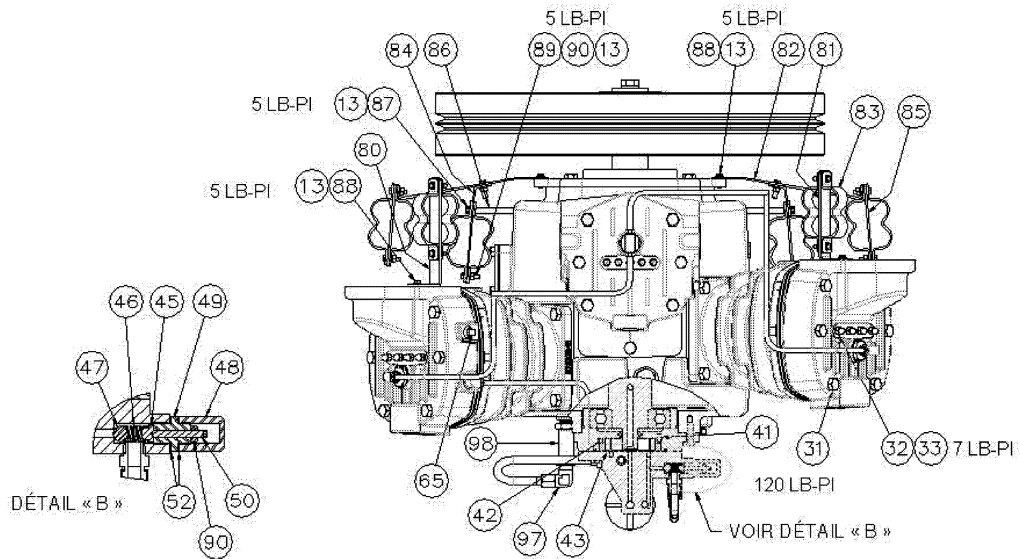
INSTRUCTIONS DE COMMANDE

Toutes les pièces décrites dans ce manuel sont disponibles auprès de votre centre ou distributeur d'air local Ingersoll-Rand. Pour connaître où se trouve le centre ou distributeur d'air le plus proche de chez vous, consultez le répertoire des distributeurs qui accompagne votre unité, téléphonez au **1-800 AIR SERV** ou visitez notre site web à : <http://www.air.ingersoll-rand.com> pour de plus amples informations.

Au moment de la commande, veuillez fournir les informations suivantes :

- Le **numéro de modèle** ainsi que le **numéro de série** imprimés sur la plaque signalétique de l'unité.
- Le **numéro de formulaire** du manuel, tel qu'indiqué dans le coin inférieur droit de la couverture.
- La **quantité, description et numéro de pièce** de ou des articles de votre commande.



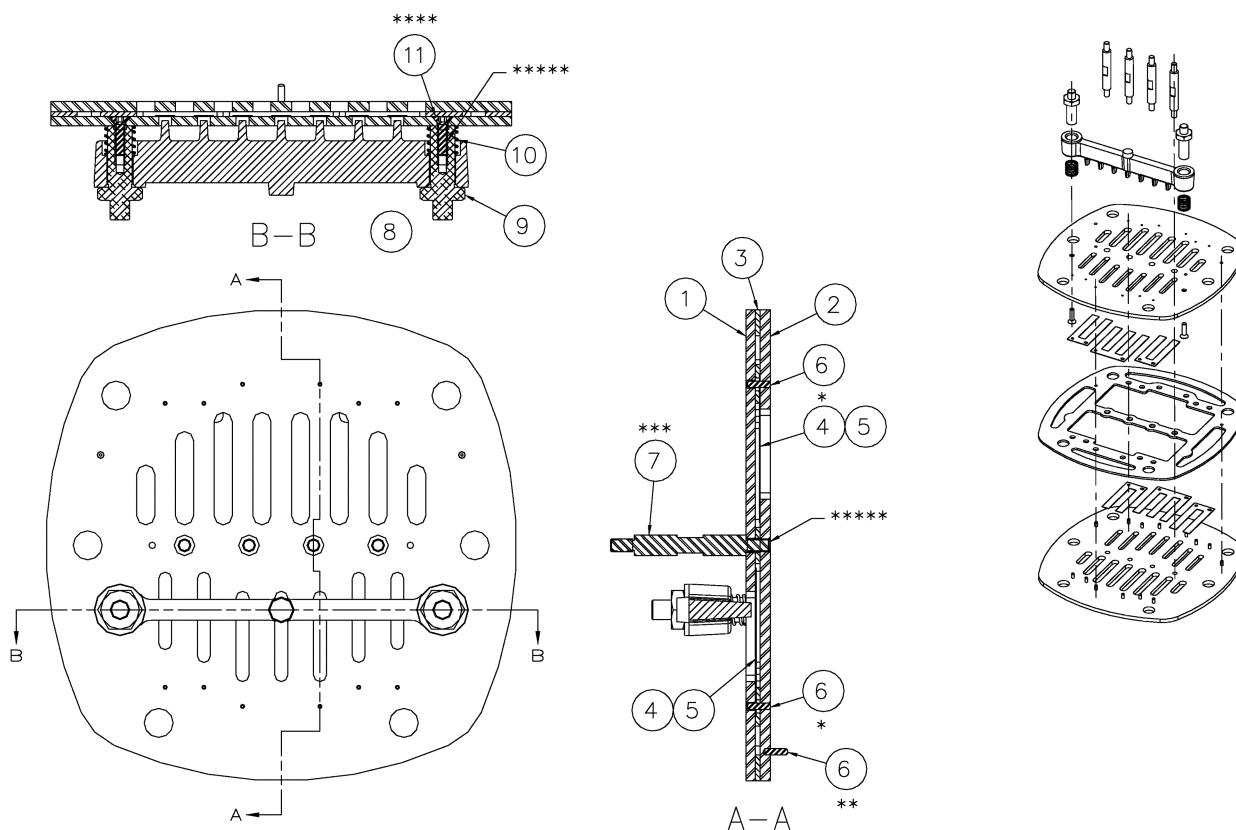


REMARQUE : POUR PLUS DE CLARTÉ, LES SOUS-ENSEMBLES DE REFROIDISSEUR INTERMÉDIAIRE ONT ÉTÉ SUPPRIMÉS DE CETTE ILLUSTRATION.

CODE NO. TROU ARTIC SSE LE	NO. PIÈCE	DESCRIPTION	QTÉ.	CODE NO. TROU ARTIC SSE LE	NO. PIÈCE	DESCRIPTION	QTÉ.
1	56286438	BÂTI, COMPRESSEUR	1	64	95110441	COUDE, TUYAU — 5/16 T X 1/4 NPT	3
2	85585354	VILEBREQUIN, COMPLETE (SEE NOTE)	1	65	95033593	BOUCHON, TUYAU — 1/4	5
B 3	NSS	● ROULEMENT, À BILLES	2	66	95369815	TUBE EN TÉ — 5/16 T X 1/4 NPT	2
4	54514690	CORPS, DE PALIER/GEROTOR	1	67	97338800	ASS., TUYAUTERIE DISPOSITIF DE DÉLESTAGE DE CULASSE	3
B 5	95023404	JOINT TORIQUE, CORPS DE PALIER/GEROTOR	1	68	97338818	ASS., TUYAUTERIE DISPOSITIF DE DÉLESTAGE DE CULASSE	1
6	54517883	CORPS, FILTRE D'HUILE	1	69	20104121	ASS., TUYAUTERIE, ÉVENT CARTER MOTEUR	1
7	95023115	JOINT TORIQUE, CORPS FILTRE D'HUILE	1	70	54526231	TUBÉ ASSEMBLY, OIL PUMP SUCTION	1
8	97333900	COUVERCLE, EXTRÉMITÉ DE BÂTI	1	71	54517891	ASS., TUYAUTERIE DE DÉCHARGE	1
9	95041919	JOINT TORIQUE, COUVERCLE EXTRÉMITÉ DE BÂTI	1	72	95101143	RACCORD, MÂLE TUYAU ÉVASÉ DE 37° — 1/2	4
10	56260607	JOINT, D'HUILE	1	73	95417507	GLAND	3
11	39329578	JOINT, POMPE D'HUILE	1	74	85584134	ASS., COUVERCLE LATÉRAL DE BÂTI	1
12	95053047	VIS À TÊTE CUBIQUE, HEX — 1/2-13 X 1-1/4	4	75	56289002	JOINT STATIQUE, COUVERCLE LATÉRAL	1
13	95043196	RONDELLE D'ARRÊT, RESSORT — 1/4	18	76	95103743	VIS À TÊTE CUBIQUE, HEX — 3/8-16 X 3/4	10
14	20104105	ASS., PISTON/TIGE — B.P. (VOIR PAGE 6)	2	77	54398730	PLAQUE SIGNALÉTIQUE	1
15	97333959	COUSSINET, D'INSERTION — B.P.	4	78	95987525	ERGOT, D'ENTRAÎNEMENT	4
16	20104113	ASS., PISTON/TIGE — H.P. (VOIR PAGE 7)	1	79	95038147	RACCORD, REDUCTEUR — 3/8 X 1/4	3
17	97333967	COUSSINET, D'INSERTION — H.P.	2	80	54405485	SUPPORT, CULASSE/REFROIDISSEUR INTERMÉDIAIRE — GAUCHE	1
18	97333918	CYLINDRE, BASSE PRESSION	2	81	54405493	SUPPORT, CULASSE/REFROIDISSEUR INTERMÉDIAIRE — DROIT	1
19	97334460	JOINT STATIQUE, CYLINDRE/BÂTI — B.P.	2	82	54405501	SUPPORT, REFROIDISSEUR INTERMÉDIAIRE — INFÉRIEUR	2
20	97333926	CYLINDRE, HAUTE PRESSION	1	83	54405519	COLLIER, TUBE DE REFROIDISSEUR INTERMÉDIAIRE	12
21	97334486	JOINT STATIQUE, CYLINDRE/BÂTI — H.P.	1	84	54405527	SUPPORT, REFROIDISSEUR INTERMÉDIAIRE INFÉRIEUR - INTERNE	2
22	95104170	VIS À TÊTE CUBIQUE, HEX — 1/2-13 X 1-1/2	13	85	54405535	SUPPORT, REFROIDISSEUR INTERMÉDIAIRE INFÉRIEUR - EXTERNE	2
V 23	54387733	JOINT STATIQUE, PLAQUE PORTE-SOUPAPE/CYLINDRE — B.P.	2	86	54405543	INTERCALAIRE, SUPPORT DE MONTAGE DE REFROIDISSEUR INTERMÉDIAIRE	2
24	20100210	ASS., PLAQUE PORTE-SOUPAPE — B.P. (VOIR PAGE 4)	2	87	95052908	VIS À TÊTE CUBIQUE, HEX — 1/4-20 X 3-1/2	2
V 25	56284490	JOINT, DE CULASSE — BASSE PRESSION	2	88	95079802	VIS À TÊTE CUBIQUE, HEX — 1/4-20 X 3/4	4
26	56280480	CULASSE, BASSE PRESSION	2	89	95079893	VIS À TÊTE CUBIQUE, HEX — 1/4-20 X 1	12
V 27	54387741	JOINT STATIQUE, PLAQUE PORTE-SOUPAPE /CYLINDRE — H.P.	1	90	95077681	ÉCROU, HEX — 1/4-20	13
28	20100228	ASS., PLAQUE PORTE-SOUPAPE — H.P. (VOIR PAGE 5)	1	91	32305674	FILTRE, D'HUILE	1
V 29	56284508	JOINT, DE CULASSE — HAUTE PRESSION	1	92	54455324	POIDS, DISQUE - ROUE DE COURROIE	1
30	56280498	CULASSE, HAUTE PRESSION	1	93	54455316	POIDS, ROUE DE COURROIE — HEX	1
31	95717385	VIS À TÊTE CUBIQUE, HEX — 1/2-13 X 3.75	18	94	95101713	VIS À TÊTE CUBIQUE, HEX 3/8-16 X 2	1
V 32	32255903	JOINT STATIQUE, RONDELLE EN CUIVRE — 1/4	13	95	95081857	RONDELLE D'ARRÊT, RESSORT — 3/8	1
33	56286248	ÉCROU, BORGNE — 1/4-28	13	96	95257358	ÉCROU	2
34	97339568	ASS., CORPS DE DÉLESTAGE	3	97	95257899	COUDE	2
V 35	95744322	JOINT STATIQUE, RONDELLE EN CUIVRE	3	98	38003158	FILTRE	1
36	95301305	BILLES, DIAMÈTRE 3/16	1				
37	97338628	ASS., REFROIDISSEUR INTERMÉDIAIRE DROIT (VOIR PAGE 9)	1				
38	97338636	ASS., REFROIDISSEUR INTERMÉDIAIRE GAUCHE (VOIR PAGE 8)	1				
V 39	56285570	JOINT STATIQUE, COLLECTEUR REFROIDISSEUR INTERMÉDIAIRE	4				
40	95035358	VIS À TÊTE CUBIQUE, HEX 3/8-16 X 1.25	19				
41	95002747	GOUCHON, 3/16 — 1/2 LONG	1				
42	39329388	BAGUE, D'INVERSION EXCENTRIQUE	1				
43	39329396	ENGRENAGE, JEU INTÉRIEUR	1				
44	30179220	ADAPTEUR, FILTRE D'HUILE	1				
45	39331699	SIÈGE, RESSORT DE SOUPAPE DE DÉCHARGE	1				
46	30508741	RESSORT, SOUPAPE DE DÉCHARGE	1				
47	95228627	BILLES, SOUPAPE DE DÉCHARGE	1				
48	39329412	BOUCHON, POMPE D'HUILE	1				
49	39329404	BOUCHON, DE DÉCHARGE	1				
50	95065983	VIS À TÊTE CUBIQUE, 1/4-20 UNC — 1-3/4	1				
51	95245296	CONTRE-ÉCROU, HEX 3/4-16	1				
52	95981239	RONDELLE, CUIVRE	2				
53	95049359	BOUCHON, TUYAU — 1/8	4				
54	95083721	CLAVETTE DISQUE — 5/16 X 1-1/2	1				
55	97337273	ROUE DE COURROIE	1				
56	56268923	RONDELLE, ROUE DE COURROIE	1				
57	95081790	RONDELLE D'ARRÊT, RESSORT — 5/8	1				
58	95373585	VIS À TÊTE CUBIQUE, HEX — 5/8-11 X 1.75	1				
59	97330245	VOYANT, D'HUILE — 1 NPT	1				
60	95200333	BOUCHON, TUYAU — 3/4 NPT	3				
61	39498522	BOUCHON, REMPLISSAGE D'HUILE	2				
62	95344651	BOUCHON, TUYAU — 1/2 NPT	2				
63	95033619	BOUCHON, TUYAU — 1/2	1				

REMARQUE : Un assemblage complet de vilebrequin (No. de pièce 85585354) comprend Nos. de réf. 2, 3, 5, 8, 9, 10, 36, 54, 56, 57, 58.

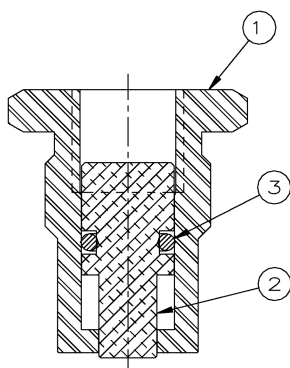
Assemblage de la plaque-porteur de soupape de basse pression



REMARQUES

- * Enfoncez les goupilles (No. réf. 6) dans la plaque porte-soupape de refoulement (No. réf. 2) de niveau avec le fond de la plaque porte-soupape (No. réf. 2).
- ** Enfoncez la goupille (No. réf. 6) dans la partie basse de la plaque porte-soupape de refoulement (No. réf. 2) jusqu'à ce que la goupille (No. réf. 5) touche le fond du trou borgne.
- *** Serrez au couple de 7 Ft. Lb. les goujons de plaque porte-soupape (No. réf. 7).
- **** Serrez au couple de 36 In. Lb. les vis à tête cubique (No. réf. 11).
- ***** Appliquez du Loctite 262 (ou autre lubrifiant) au filetage.

CODE TROUS SE	NO. RÉF.	NO. PIÈCE	DESCRIPTION	QTÉ.
	RÉF.	20100210	ASSEMBLAGE, PLAQUE PORTE-SOUPAPE — B. P.	
V	1	54422720	● PLAQUE, PORTE-SOUPAPE — ENTRÉE B.P.	1
V	2	54422738	● PLAQUE, PORTE-SOUPAPE — REFOULEMENT B.P.	1
V	3	56284516	● JOINT STATIQUE, ENTRETOISE DE PLAQUE PORTE-SOUPAPE B.P.	1
V	4	97334023	● SOUPAPE, À TROIS DOIGTS	2
V	5	97334031	● SOUPAPE, À DEUX DOIGTS	4
V	6	56267818	● GOUPILLE — 1/8 X 7/16	15
	7	56285562	● GOUJON, PLAQUE PORTE-SOUPAPE — 1/4-28	4
	8	56262304	● FOURCHAETTE, DISPOSITIF DE DÉLESTAGE — À SEPT DOIGTS	1
	9	56282312	● GUIDE, FOURCHETTE DE DISPOSITIF DE DÉLESTAGE	2
	10	56283765	● RESSORT, FOURCHETTE DE DISPOSITIF DE DÉLESTAGE	2
	11	95389698	● VIS À TÊTE CUBIQUE, À 6 PANS CREUX	2

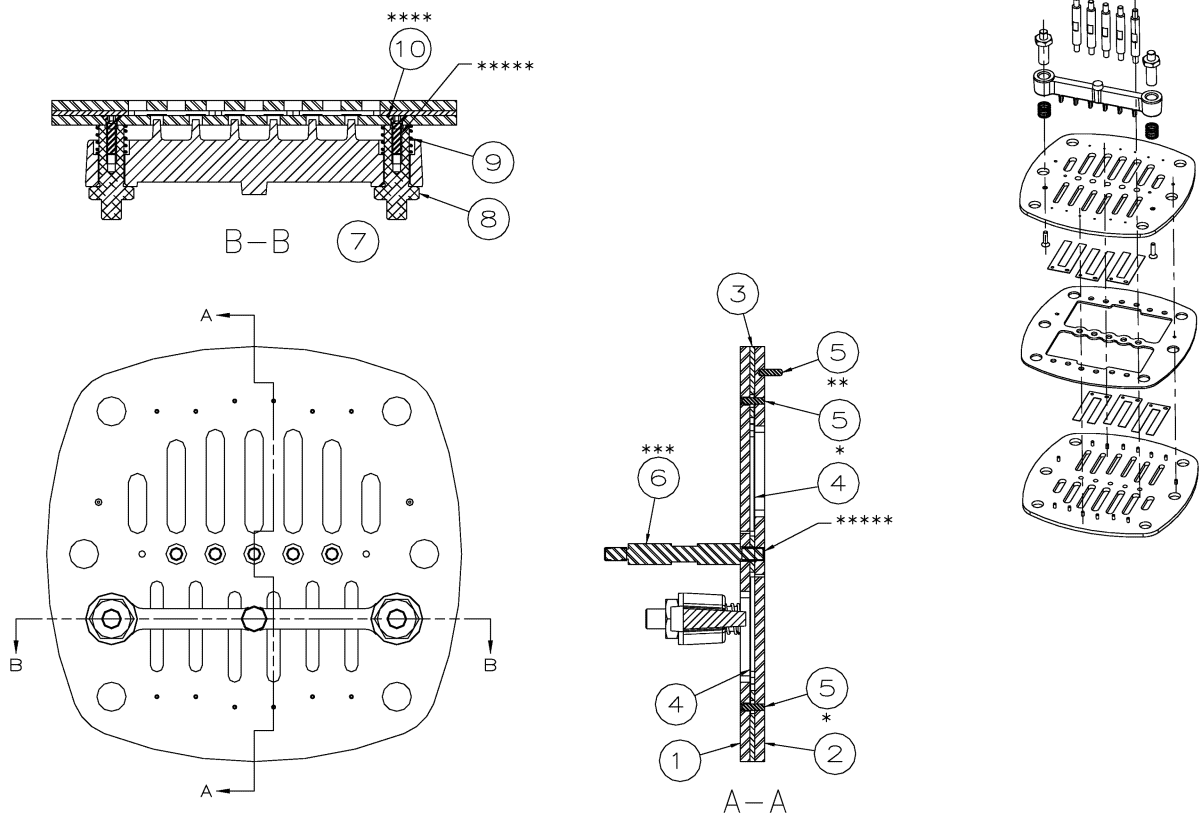


CODE TROUS SE	NO. RÉF.	NO. PIÈCE	DESCRIPTION	QTÉ.
	REF.	97339568	ASSEMBLAGE, CORPS DE DÉLESTAGE	
	1	54392469	● CORPS, DÉLESTAGE	1
	2	54392451	● PISTON, DÉLESTAGE	1
	3	54392337	● JOINT TORIQUE, DÉLESTAGE	1

REMARQUES

- Appliquez de la graisse de silicone haute température sur le joint torique (No. réf. 3).

Assemblage de la plaque-porteur de soupape de haute pression

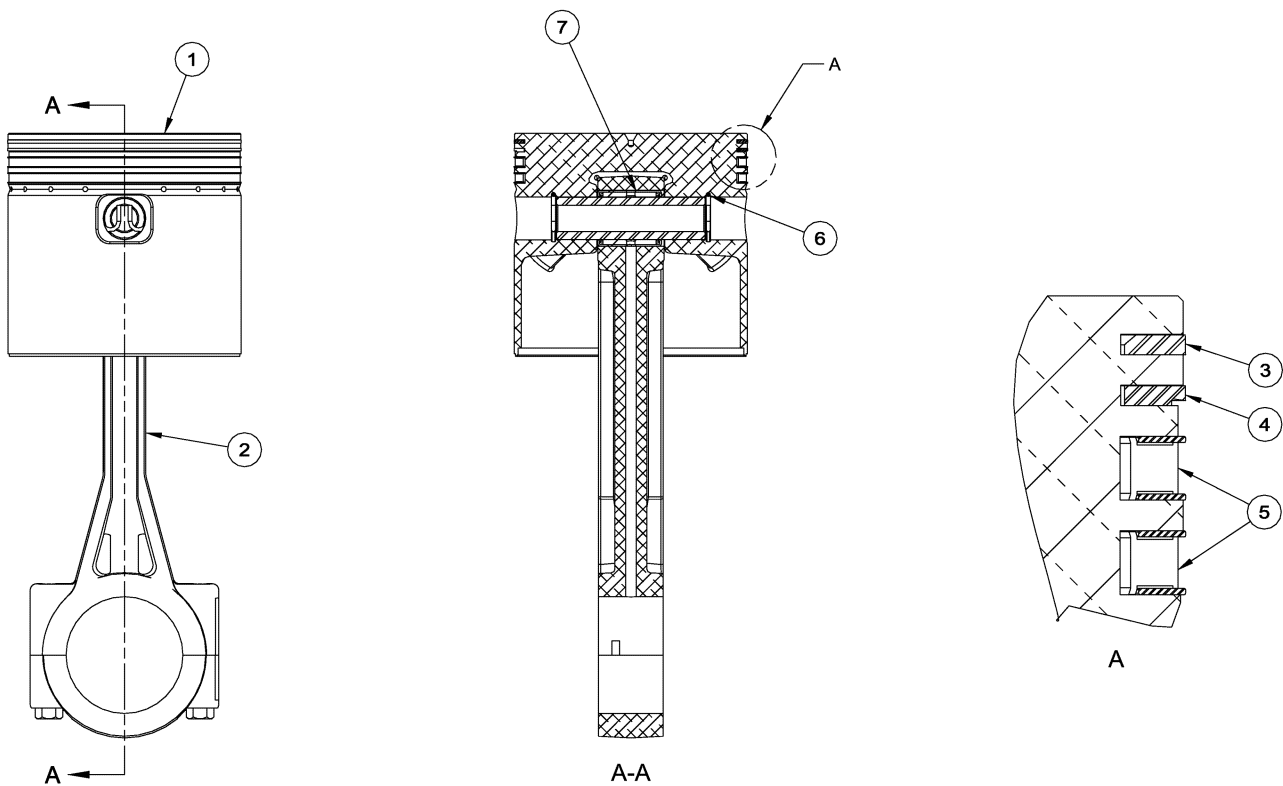


REMARQUES

- * Enfoncez les goupilles (No. réf. 5) dans la plaque porte-soupape de refoulement (No. réf. 2) de niveau avec le fond de la plaque porte-soupape (No. réf. 2).
- ** Enfoncez la goupille (No. réf. 5) dans la partie basse de la plaque porte-soupape de refoulement (No. réf. 2) jusqu'à ce que la goupille (No. réf. 5) touche le fond du trou borgne.
- *** Serrez au couple de 7 Ft. Lb. les goujons de plaque porte-soupape (No. réf. 6).
- **** Serrez au couple de 36 Ft. Lb. les vis à tête cubique (No. réf. 10).
- ***** Appliquez du Loctite 262 (ou autre lubrifiant) au filetage.

CODE TROUS SE	NO. RÉF	NO. PIÈCE	DESCRIPTION	QTÉ.
	RÉF.	20100228	ASSEMBLAGE, PLAQUE PORTE-SOUPAPE — H. P.	
V	1	54422746	● PLAQUE, PORTE-SOUPAPE, - ENTRÉE H.P.	1
V	2	54422761	● PLAQUE, PORTE-SOUPAPE, - REFOULEMENT H.P.	1
V	3	97334114	● JOINT STATIQUE, H.P. ENTRETOISE DE PLAQUE PORTE-SOUPAPE	1
V	4	97334031	● SOUPAPE, À DEUX-DOIGTS	6
V	5	56267818	● GOUPILLE, DE POSITIONNEMENT — 1/8 X 7/16	15
	6	56285562	● GOUJON, PLAQUE PORTE-SOUPAPE — 1/4-28	5
	7	56282296	● FOURCHETTE, DISPOSITIF DE DÉLESTAGE — À SIX DOIGTS	1
	8	56282312	● GUIDE, FOURCHETTE DE DISPOSITIF DE DÉLESTAGE	2
	9	56283765	● RESSORT FOURCHETTE DE DISPOSITIF DE DÉLESTAGE	2
	10	95389698	● VIS À TÊTE CUBIQUE, À 6 PANS CREUX	2

Assemblage du piston/bielle de liaison de basse pression

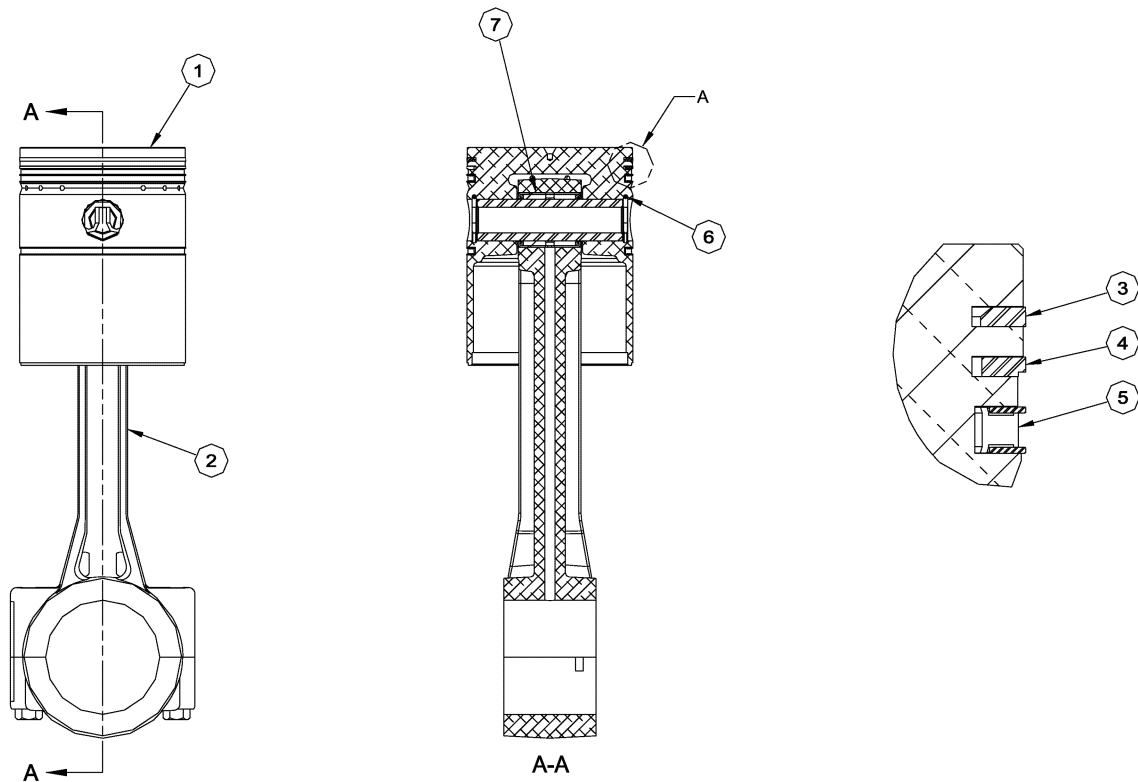


REMARQUES

- Effectuez l'installation du segment de compression (No. réf. 4) et du segment racleur (No. réf. 5) avec les repères sur le segment orientés vers le haut.
- Des segments de piston basse pression (No. réf. 4-6) sont disponibles dans le jeu de segments 20103123. Les segments individuels ne sont pas disponibles séparément.

CODE TROUS SE	NO. RÉF.	NO. PIÈCE	DESCRIPTION	QTÉ.
	RÉF.	NSS	ASSEMBLAGE, PISTON/BIELLE DE LIAISON — B. P.	
B	1	49814940	● ASSEMBLAGE, PISTON/GOUPILLE — B.P.	1
R	2	54514013	● BIELLE, DE LIAISON — B.P.	1
R	3	85583102	● ROULEMENT, À AIGUILLES	1
R	4	NSS	● SEGMENT, DE COMPRESSION	1
R	5	NSS	● SEGMENT, RACLEUR	1
R	6	NSS	● SEGMENT, JEU DE CONTRÔLE D'HUILE	1
B	7	30287791	● SEGMENT, D'ARRÊT	2

Assemblage du piston/bielle de liaison de haute pression

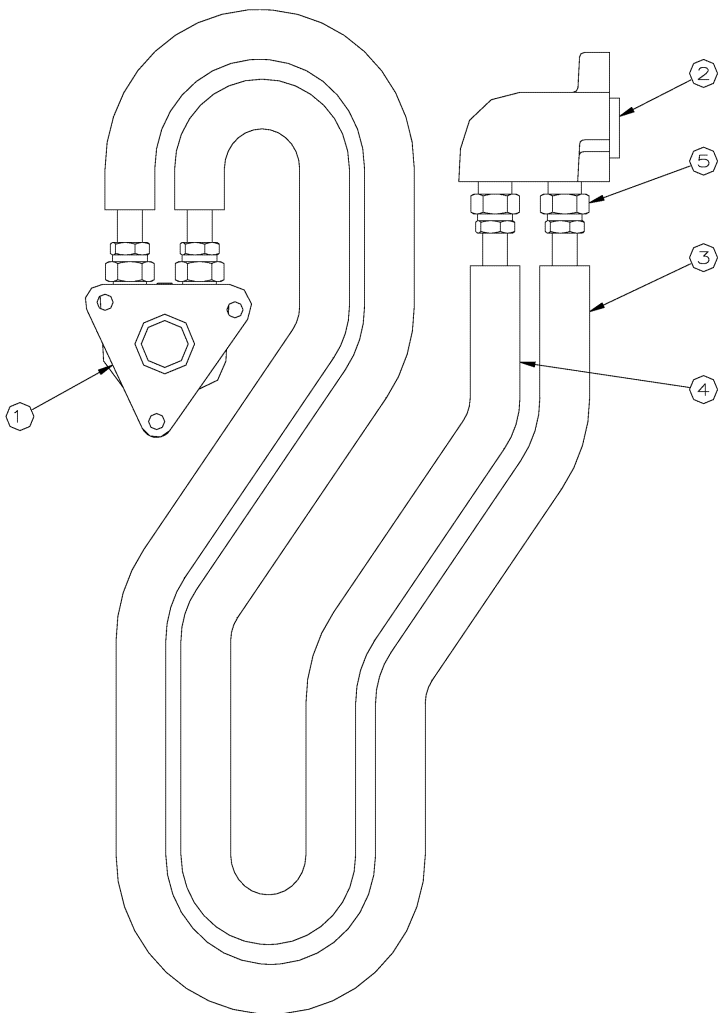
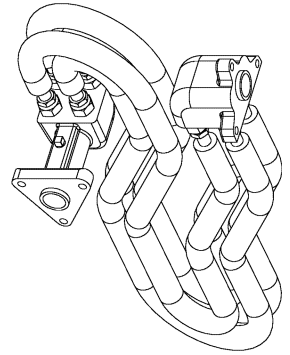
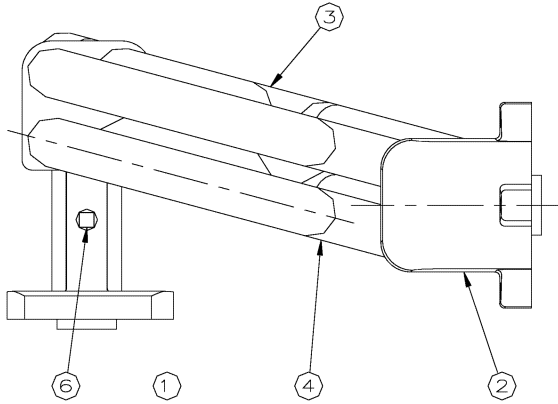


NOTES

- Effectuez l'installation du segment de compression (No. réf. 4) et du segment racleur (No. réf. 5) avec les repères sur le segment orientés vers le haut.
- Des segments de piston haute pression (No. réf. 4-6) sont disponibles dans le jeu de segments 20103131. Les segments individuels ne sont pas disponibles séparément.

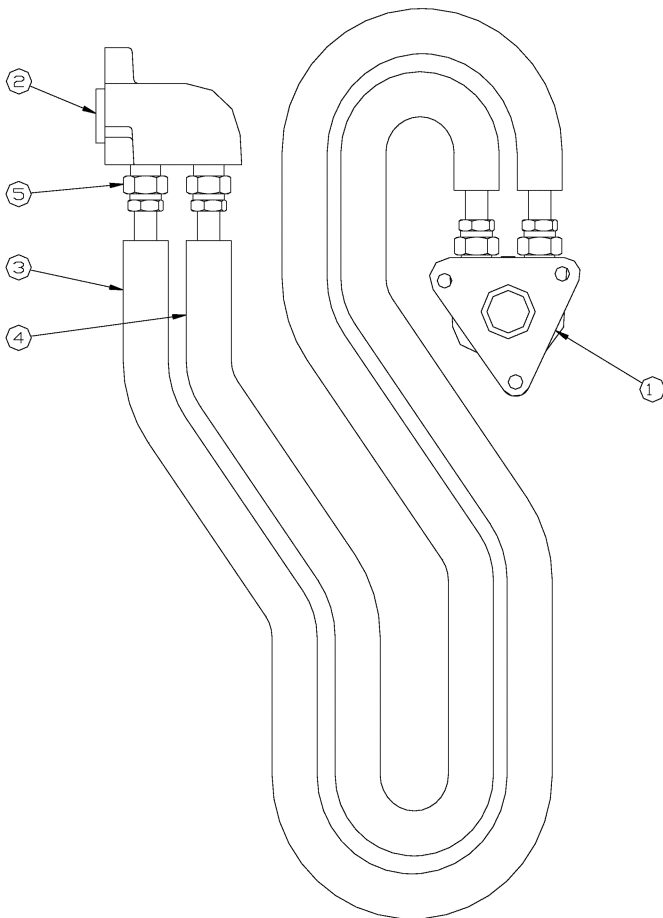
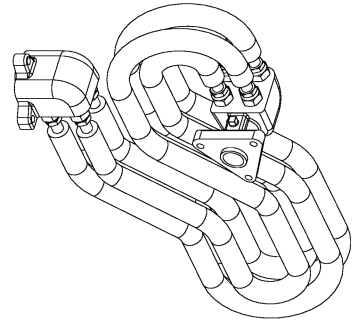
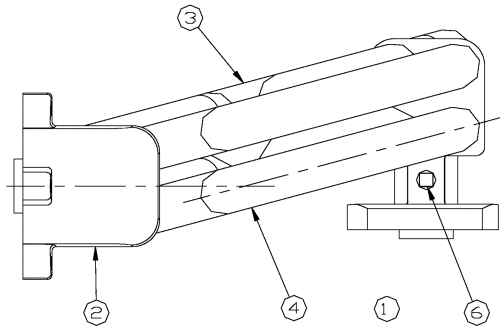
CODE TROUS SE	NO. RÉF	NO. PIÈCE	DESCRIPTION	QTÉ.
	REF.	NSS	ASSEMBLAGE, PISTON/BIELLE DE LIAISON — H.	
	1	49814957	ASSEMBLAGE, PISTON/GOUPILLE — H.P.	1
	2	54514021	BIELLE, DE LIAISON — H.P.	1
B	3	85583102	ROULEMENT, À AIGUILLES	1
R	4	NSS	SEGMENT, DE COMPRESSION	1
R	5	NSS	SEGMENT, RACLEUR	1
R	6	NSS	SEGMENT, JEU DE CONTRÔLE D'HUILE	1
B	7	30287791	SEGMENT, D'ARRÊT	2

Ensemble de refroidisseur intermédiaire (côté gauche)



CODE TROUS SE	NO. RÉF	NO. PIÈCE	DESCRIPTION	QTÉ.
	RÉF.	97338636	ASSEMBLAGE, REFRIGÉRISEUR INTERMÉDIAIRE — GAUCHE	
1	56281124	● COLLECTEUR, B.P. — GAUCHE		1
2	56281132	● COLLECTEUR, H.P.		1
3	97338644	● TUYAUTERIE — REFRIGÉRISEUR INTERMÉDIAIRE 1		2
4	97338651	● TUYAUTERIE — REFRIGÉRISEUR INTERMÉDIAIRE 2		2
5	95083226	● RACCORD, MÂLE — 5/8 X 1/2		8
6	95033593	● BOUCHON, DE TUYAU — 1/4		1

Ensemble de refroidisseur intermédiaire (côté droit)



CODE TROUS SE	NO. RÉF	NO. PIÈCE	DESCRIPTION	QTÉ.
	RÉF.	97338628	ASSEMBLAGE, REFROIDISSEUR INTERMÉDIAIRE — DROIT	
	1	56281116	● COLLECTEUR, B.P. — DROIT	1
	2	56281132	● COLLECTEUR, H.P.	1
	3	97338644	● TUYAUTERIE — REFROIDISSEUR INTERMÉDIAIRE 1	2
	4	97338651	● TUYAUTERIE — REFROIDISSEUR INTERMÉDIAIRE 2	2
	5	95083226	● RACCORD, MÂLE — 5/8 X 1/2	8
	6	95033593	● BOUCHON, TUYAU — 1/4	1

TROUSSES ET ACCESSOIRES**TROUSSE DE DÉMARRAGE** _____

Chaque trousses de démarrage contient suffisamment de lubrifiant synthétique Ingersoll-Rand pour compresseurs et d'éléments de filtre d'air pour le démarrage et l'entretien de votre unité pour la première année.

NO. PIÈCE	DESCRIPTION
49814833	TROUSSE, DE DÉMARRAGE

LUBRIFIANT SYNTHÉTIQUE INGERSOLL-RAND POUR COMPRESSEURS _____

NO. PIÈCE	DESCRIPTION
32318875	LUBRIFIANT, BOUTEILLE DE 1 QUART
32318883	LUBRIFIANT, PACK DE DOUZE BOUTEILLES DE 1 QUART

FILTRE D'ASPIRATION _____

NO. PIÈCE	DESCRIPTION
32012957	FILTRE D'ASPIRATION (STANDARD)
37161577	FILTRE D'ASPIRATION (À USAGE INDUSTRIEL)

FILTRE D'HUILE _____

NO. PIÈCE	DESCRIPTION
32305674	FILTRE, D'HUILE

TROUSSES D'ENTRETIEN RAPIDE _____

NO. PIÈCE	DESCRIPTION
20103081	TROUSSE, SOUPAPE/JOINT
20103099	TROUSSE, SEGMENT/JOINT
85581171	TROUSSE, COUSSINET/JOINT

TROUSSE DE REMISE EN ÉTAT _____

La trousses de remise en état contient toutes les trousses d'entretien rapide décrites plus haut ainsi que des éléments de filtre d'air standard pour une remise en état complète.

NO. PIÈCE	DESCRIPTION
85582963	TROUSSE, DE REMISE EN ÉTAT

TROUSSE DE CHAUFFAGE DU CARTER PRINCIPAL _____

L'installation de trousses de chauffage du carter principal est conseillée pour les environnements avec des températures régulièrement au-dessous de 32°F (0°C). La trousses externe d'installation facile d'un réchauffeur du carter principal est fournie pour utilisation post-vente.

NO. PIÈCE	DESCRIPTION
97330385	TROUSSE, CHAUFFAGE DU CARTER PRINCIPAL

TUYAUX D'AIR À FONCTION MULTIPLE _____

Ces assemblages de tuyaux d'air sont des tuyaux de grand puissance, légers conçus pour une pression de travail de 300 PSIG.

NO. PIÈCE	DESCRIPTION
32323750	TUYAU, D'AIR — 3/8" X 25' (1/4" NPT MÂLE)
32323768	TUYAU, D'AIR — 3/8" X 50' (1/4" NPT MÂLE)
32323776	TUYAU, D'AIR — 3/8" X 100' (1/4" NPT MÂLE)

FILTRES À TAMIS EN Y _____

Les filtres à tamis en Y empêchent le transport d'impuretés en aval.

NO. PIÈCE	DESCRIPTION
32323628	FILTRE À TAMIS EN Y, 1/4"
32323636	FILTRE À TAMIS EN Y, 1/2"

REMARQUES

REMARQUES

SERVICES EXCEPTIONNELS OFFERTS PAR INGERSOLL-RAND !



Un service clientèle efficace

Notre équipe de techniciens professionnels est à votre disposition lorsqu'il s'agit de l'entretien préventif de votre matériel ou dans des situations urgentes.



Service de réparation complet

Nos techniciens hautement qualifiés peuvent réparer et remettre en état tout votre matériel aux spécifications de l'usine, utilisant des pièces de rechange I-R d'origine.



Service technique spécialisé

Nous pouvons vous aider à identifier et à résoudre vos problèmes par une évaluation de vos besoins et par la recommandation d'un matériel approprié pour un rendement maximal.



Pièces de rechange

Grâce à nos pièces de rechange I-R d'origine, nous sommes en mesure de vous éviter des délais coûteux ou d'utiliser des pièces de rechange inférieures. L'utilisation de pièces de rechange I-R d'origine sur votre équipement I-R contribue à faire fonctionner comme un neuf votre matériel moins récent.



Assortiment complet de matériel

Nous gardons en stock un assortiment complet de matériel et d'accessoires I-R afin de répondre à tous vos besoins lorsqu'il s'agit d'applications à air comprimé. Notre service d'expédition rapide des usines I-R assure une livraison ponctuelle.

UN SUBSTITUT N'EST PAS UN REMPLACEMENT !

Afin d'obtenir un rendement et une durée de vie maximum de votre matériel Ingersoll-Rand, nous vous recommandons de n'utiliser que des pièces de rechange et des trousseaux de maintenance Ingersoll-Rand d'origine. Nos pièces de rechange sont non seulement fabriquées à des dimensions précises et à partir de métaux répondant aux normes OEM, mais chaque pièce est de plus accompagnée de la garantie Ingersoll-Rand. Votre centre ou distributeur d'air local, ou votre représentant direct Ingersoll-Rand peuvent travailler avec vous et vous aider à vous procurer les pièces de rechange nécessaires pour effectuer les réparations nécessaires. Utilisez ce qu'il y a de mieux pour votre matériel — des pièces de rechange Ingersoll-Rand

REMARQUE : L'UTILISATION DE PIÈCES DE RECHANGE AUTRES QUE CELLES DÉCRITES DANS LA LISTE DES PIÈCES DE LA SOCIÉTÉ INGERSOLL-RAND PEUT CRÉER DES CONDITIONS DANGEREUSES OU DES DÉFAILLANCES MÉCANIQUES SUR LESQUELLES LA SOCIÉTÉ INGERSOLL-RAND N'A AUCUN CONTRÔLE. LA SOCIÉTÉ INGERSOLL-RAND N'ASSUME AUCUNE RESPONSABILITÉ EN CE QUI CONCERNE LE MATÉRIEL SUR LEQUEL DES PIÈCES DE RECHANGE NON-APPROUVÉES ONT ÉTÉ INSTALLÉES.

Le fabricant se réserve le droit d'effectuer toute modification ou amélioration sans préavis et sans encourir aucune obligation à effectuer ces modifications sur les produits vendus précédemment.

Questions ? Pièces ? Service ?

1-800 AIR SERV

Visitez notre site web à :

www.air.ingersoll-rand.com